

Figure 7-15. AM Receiver IA4

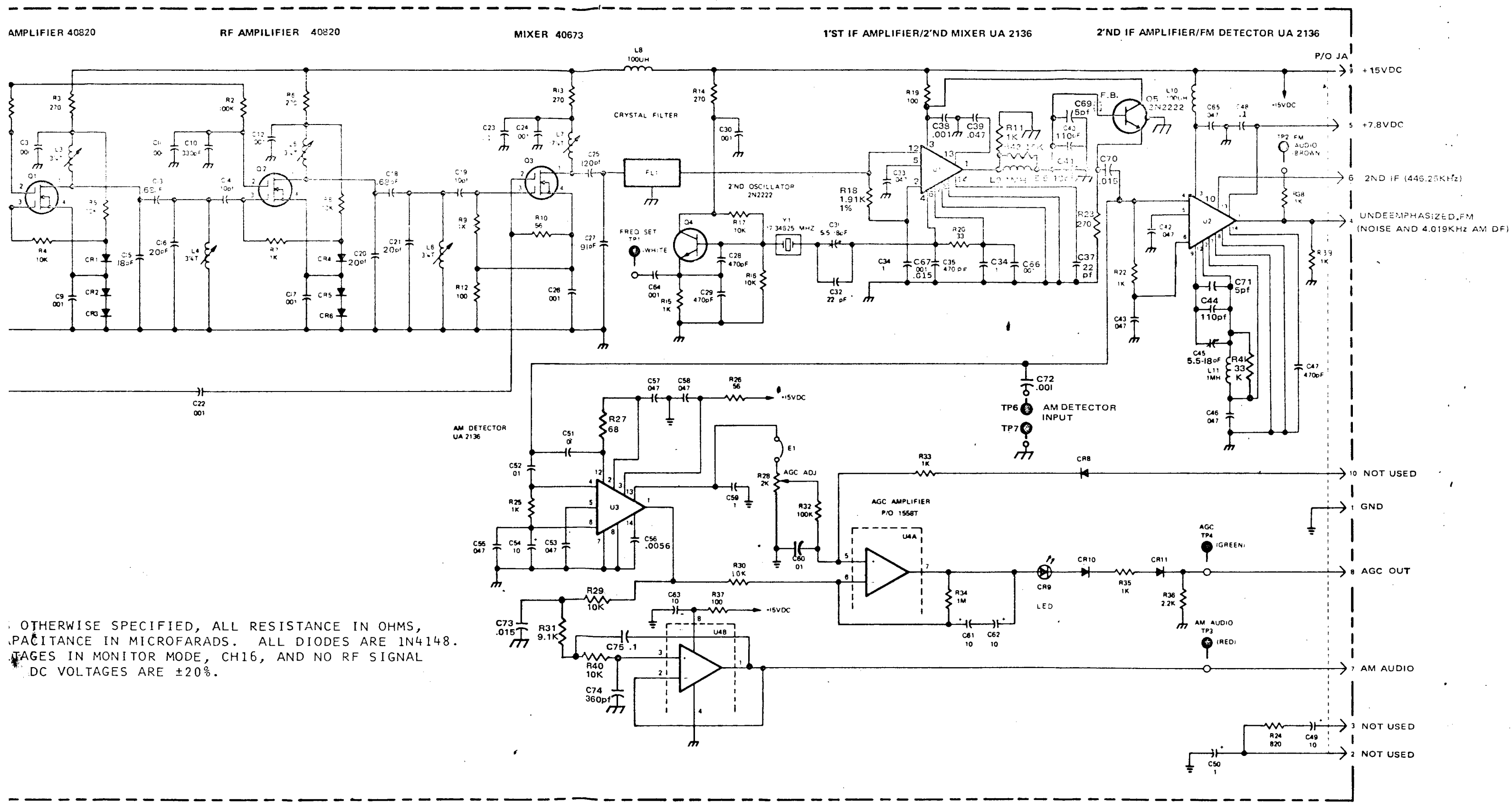


Figure 7-15. AM Receiver IA4(121.5 MHz) Schematic Diagram