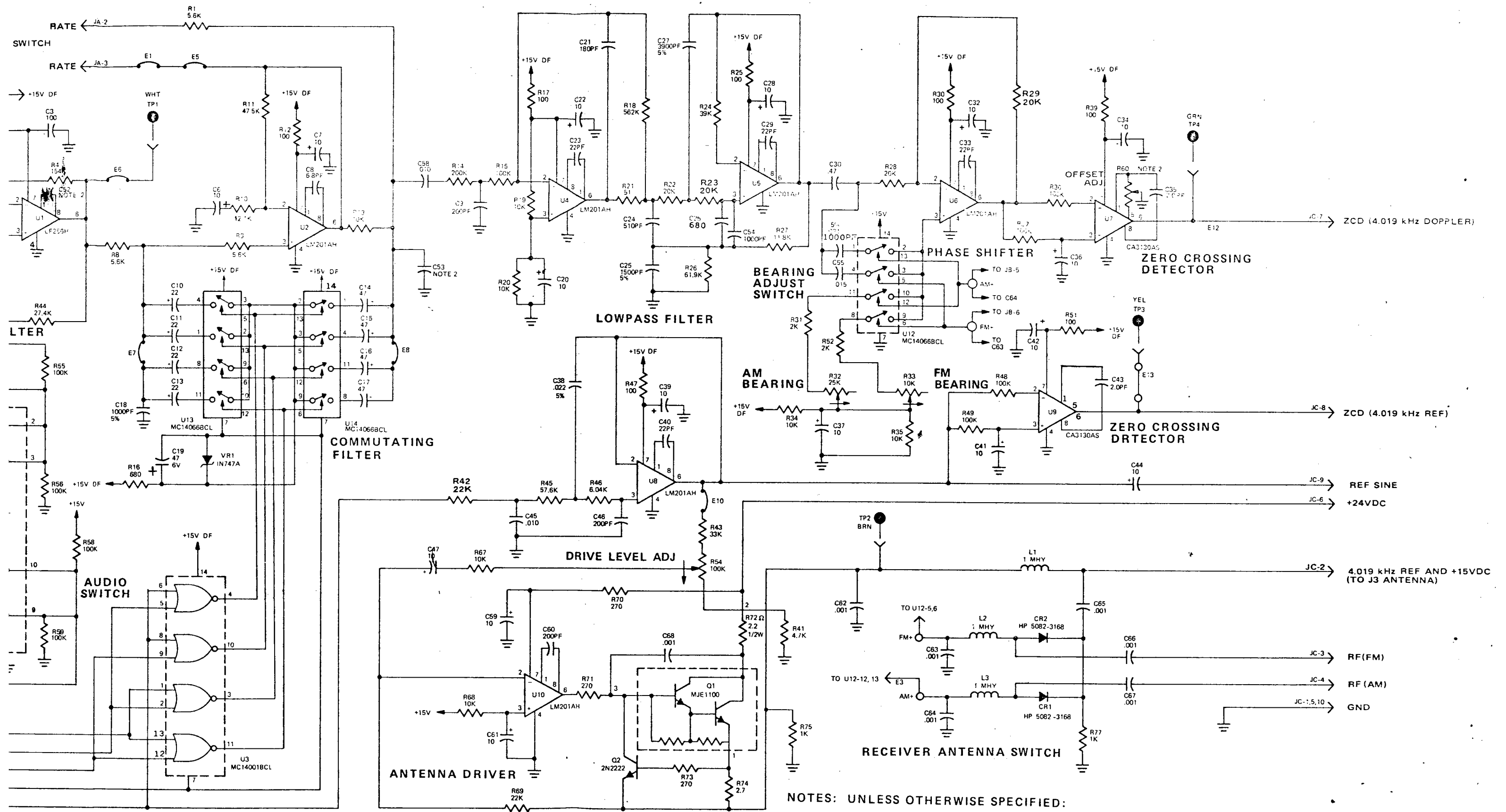


NOTES: UNLESS O  
 1. ALL RE  
 CAPACITA  
 2. NOT US



NOTES: UNLESS OTHERWISE SPECIFIED:  
 1. ALL RESISTORS IN OHMS, ALL CAPACITANCE IN MICROFARADS.  
 2. NOT USED

Figure 7-18. Analog IA7 Schematic Diagram