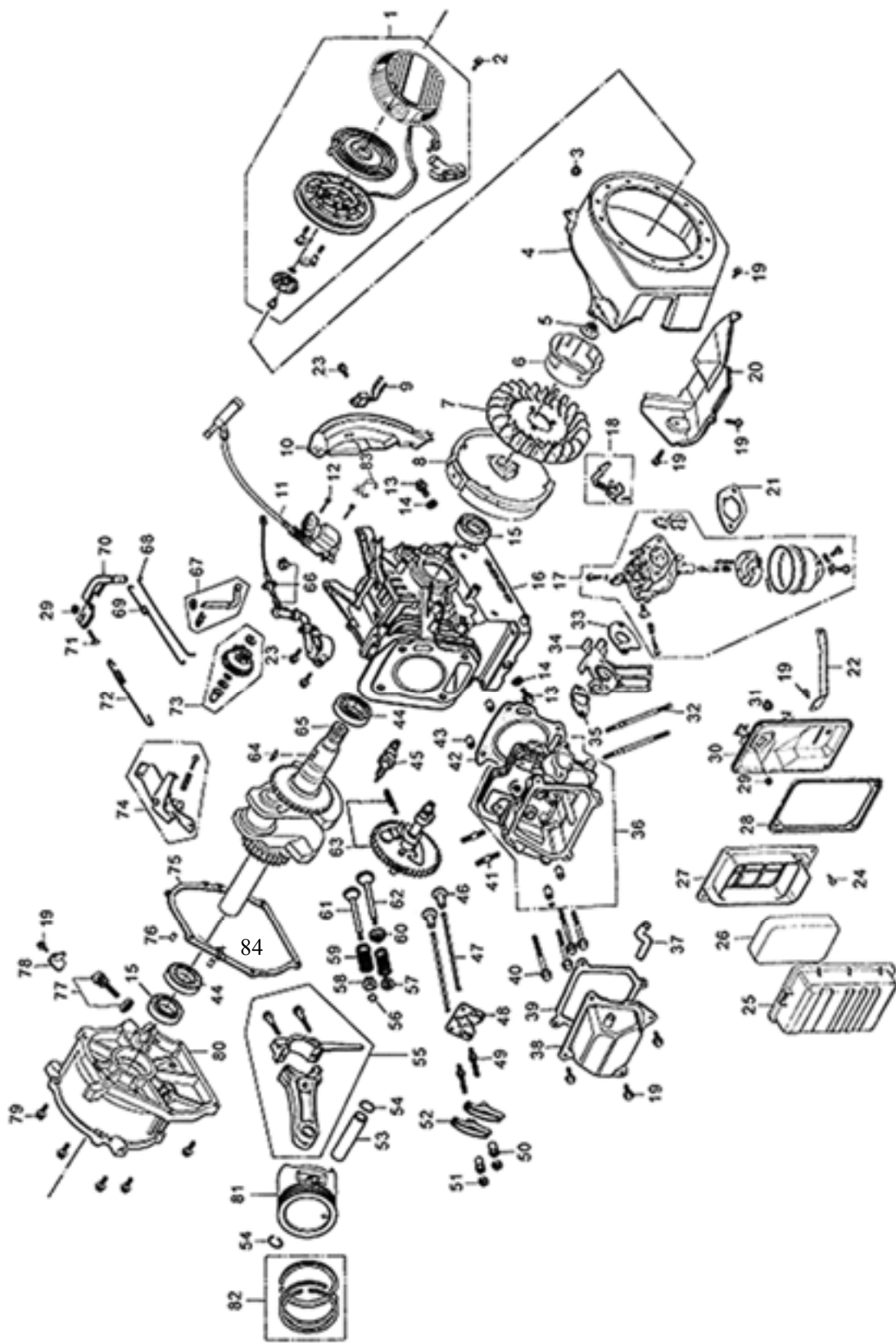
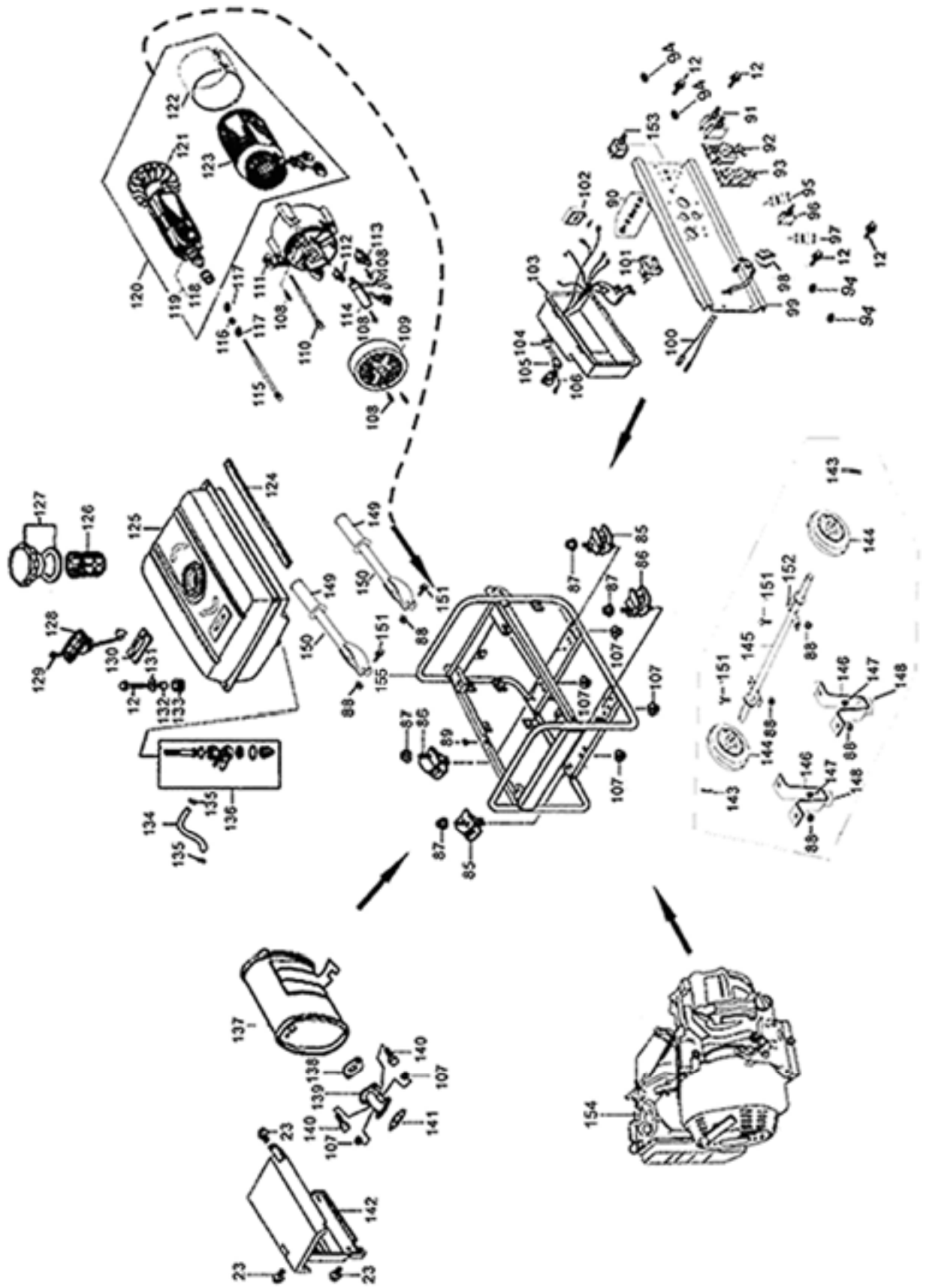


EXPLODED VIEW AND PARTS LIST (XP4400)

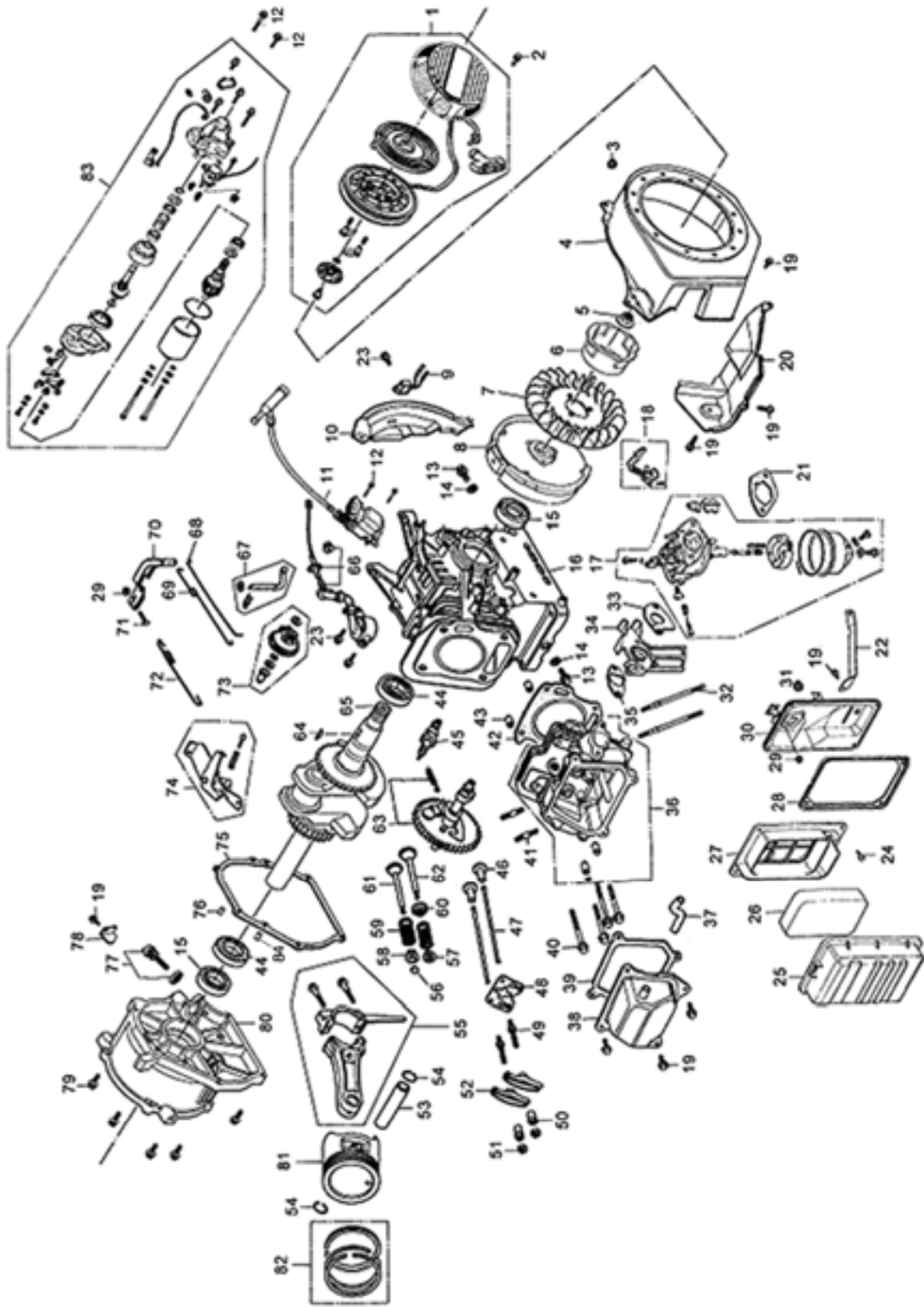


| Item | Part | Qty | Description | Item | Part | Qty | Description |
|-------------|-----------------|------------|------------------------------|-------------|-----------------|------------|----------------------------|
| 1 | DJ168F-16121-K | 1 | Recoil Sarer | 43 | DJ168F-11009-A | 2 | Set Pin, 10×14 |
| 2 | GBT5787-B6-8 | 4 | Bolt Flange M6×8 | 44 | GB276-89-6205 | 2 | Radial ball bearing (6025) |
| 3 | DJ168F-16118 | 1 | Grommet drain hole | 45 | DJ168F-18500-A | 1 | Spark Plug F7TC |
| 4 | DJ170N-16121-A | 1 | Fan case | 46 | DJ170F-13009-A | 2 | Tappet Litter Valve |
| 5 | GBT6177/10-N-14 | 1 | Flange nut M14 | 47 | DJ170F-13008-B | 2 | Rod, push |
| 6 | DJ168F-16000-A | 1 | Starting Cup | 48 | DJ168F-13300-A | 1 | Plate, push rod guide |
| 7 | DJ168F-16002-A | 1 | Flywheel Fan | 49 | DJ168F-13202-A | 2 | Fastening Bolt |
| 8 | DJ168F-16200-C | 1 | Flywheel | 50 | DJ168F-13203-A | 2 | Adjusting Nut |
| 9 | DJ168F-18300-A | 1 | Amplifier | 51 | DJ168F-13204-A | 2 | Lock Nut |
| 10 | DJ168F-11400-A | 1 | Wind Shiel Assembly | 52 | DJ168F-13201-A | 2 | Arm, valve rocker |
| 11 | DJ168F-18100-C | 1 | Ignition Coil | 53 | DJ170F-12002-A | 1 | Pin, piston |
| 12 | GBT5787-B6-25 | 2 | Flange bolt M6×25 | 54 | DJ168F-12003-A | 2 | Clip, piston pin |
| 13 | DJ168F-11004-A | 2 | Drain Plug Washer | 55 | DJ170F-12200-B | 1 | Tie-rod Assembly |
| 14 | DJ168F-11005-A | 2 | Washer, drain lug | 56 | DJ168F-13006-A | 1 | Rotator, valve |
| 15 | DJ168F-11014-A | 2 | Oil seal, 25×41×6 | 57 | DJ168F-13004-A | 1 | Retainer, IN. Valve spring |
| 16 | DJ170F-11100-C | 1 | Crank case assy. | 58 | DJ168F-13005-A | 1 | Retainer, EX. Valve spring |
| 17 | DJ170FD-14100-B | 1 | Carburetor Assembly | 59 | DJ168F-13003-A | 2 | Spring, valve |
| 18 | DJ168F-14119 | 1 | Lever comp, choke | 60 | DJ168F-13010-A | 1 | Returner, Exhaust Valve |
| 19 | GBT5787-B6-16 | 15 | Bolt Flange M6×16 | 61 | DJ168F-13002-A | 1 | Intake Valve |
| 20 | DJ168F-11012-A | 1 | Air-leading Cover | 62 | DJ168F-13001-A | 1 | Exhaust Valve |
| 21 | DJ168F-14027-A | 1 | Air Cleaner Gasket | 63 | DJ168F-13100-B | 1 | Camshaft assy. |
| 22 | DF2500H-14205-A | 1 | Stay, air cleaner | 64 | DJ168F-12104 | 1 | Woodruff Key |
| 23 | GBT5787-B6-12 | 7 | Flange bolt M6×12 | 65 | DJ168F-12100-BB | 1 | Crankshaft Assembly |
| 24 | GBT5787-B5-14 | 4 | Flange bolt M5×14 | 66 | DJ168F-18200-A | 1 | Oil Sensor Assembly |
| 25 | DJ168F-14204 | 1 | Air Cleaner Cover | 67 | DJ168F-15001-A | 1 | Shaft, governor assy. |
| 26 | DJ170F-14201 | 1 | Element, air cleaner | 68 | DJ168F-15006-A | 1 | Pulling Rod |
| 27 | DJ168F-14202 | 1 | Air Cleaner Housing | 69 | DJ170F-15008-A | 1 | Fine Regulating Spring C |
| 28 | DJ168F-14206 | 1 | Packing Slip | 70 | DJ168F-15004-A | 1 | Speed Regulating Arm |
| 29 | GBT6177-N-6 | 2 | Flange nut M6 | 71 | DJ168F-15005-A | 1 | Lock Bolt |
| 30 | DJ168F-14205-A | 1 | Air Cleaner Base | 72 | DJ170F-15007-A | 1 | Back Spring B |
| 31 | DJ168F-14014-A | 1 | Grommet | 73 | DJ168F-15100-A | 1 | centrifugal assy. |
| 32 | DJ168FD-14001-A | 2 | Bolt Stud, 6×90 | 74 | DJ168FD-15200-A | 1 | speed adjuster |
| 33 | DJ168F-14005-A | 1 | Carbretor Gasket | 75 | DJ170F-11003-B | 1 | Crankcase Gasket |
| 34 | DJ168F-14004-A | 1 | Connecting Block, Carbretor | 76 | DJ168F-11002-C | 1 | Pin, dowel, 9×12 |
| 35 | DJ168F-14003-B | 1 | Inlet Gasket | 77 | DJ168F-11007-A | 1 | Oil Filler Assembly |
| 36 | DJ170F-11200-B | 1 | Head comp, cylinder | 78 | DF1800H-33016-A | 1 | Plat |
| 37 | DJ168FD-11013-A | 1 | Tube, Breather | 79 | GBT5787-B8-35 | 6 | bolt M8×35 |
| 38 | DJ168F-11300-C | 1 | Cylinder Head Cover Assembly | 80 | DJ168FD-11001-C | 1 | Crankcase cover |
| 39 | DJ168F-11011-A | 1 | Cylinder Head Cover Gasket | 81 | DJ170F-12001-B | 1 | Piston |
| 40 | GBT5787-B8-60 | 4 | Flange bolt M8×60 | 82 | DJ170F-12300-A | 1 | Scraper Ring Set, Piston |
| 41 | DJ168F-14002-A | 2 | Bolt head, M8×35 | 83 | DJ168F-11039-A | 1 | O-Clip |
| 42 | DJ170F-11010-C | 1 | Casket, cylinder head | 84 | DJ168F-11002-B | 1 | Pin, dowel, 7×12 |

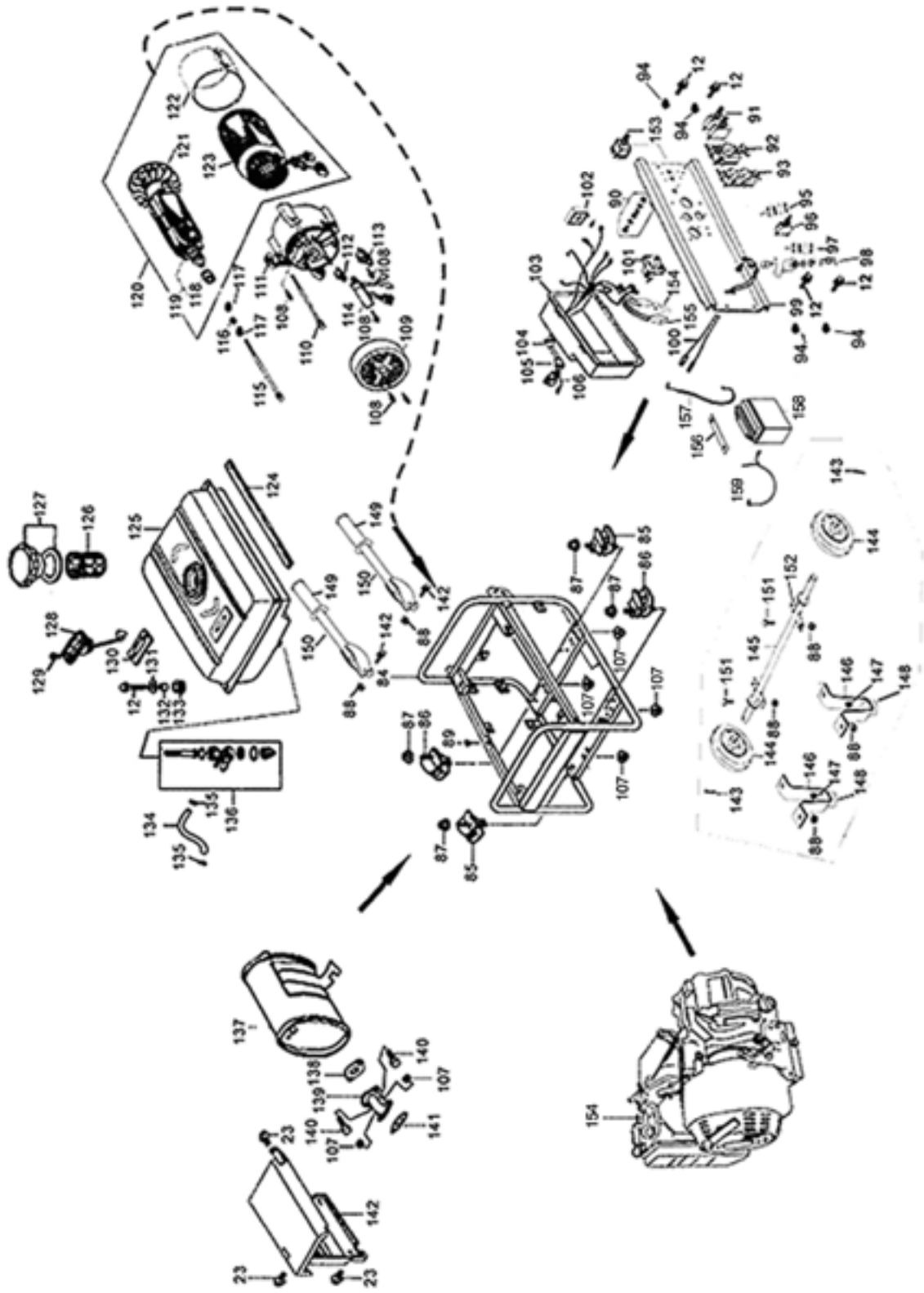


| Item | Part | Qty | Description | Item | Part | Qty | Description |
|------|----------------------|-----|----------------------------|------|------------------|-----|-----------------------|
| 85 | DF2500H-31201-A | 2 | Bottom rubber A | 127 | 14306 | 1 | Fuel filler cap comp |
| 86 | DF2500H-31202-A | 2 | Bottom rubber B | 128 | 14303 | 1 | Fuel sensor |
| 87 | GBT6177-N-8 | 4 | Flange nut M8 | 129 | GBT819-B-5 | 2 | Screw M5×10 |
| 88 | GBT889-N-8 | 10 | Flange nut M8 | 130 | 14313 | 1 | GASKET,FUEL SENSOR |
| 89 | DF2500H-14304-A | 1 | Rubber Screws, Fuel Tank | 131 | 14311 | 4 | Washer |
| 90 | 34107 | 1 | Earth terminal set | 132 | 14305 | 4 | Collar |
| 91 | 34206-100 | 1 | Circuit breaker | 133 | 14304 | 4 | Cushion |
| 92 | 34204-003 | 1 | 4-holes Socket | 134 | DJ168FD-14007-C | 1 | Outlet pipeφ4.5×165 |
| 93 | 34204-005 | 1 | 3-holes Socket | 135 | DJ168F-14008-A | 2 | Tube clip |
| 94 | 20140 | 4 | Plain Washer | 136 | DF2500H-14302-A | 1 | Fuel cock |
| 95 | 34204-038 | 1 | Output Set, DC A | 137 | DF2500H-14400-E | 1 | Muffler |
| 96 | 34208-004 | 1 | Over-current protector, DC | 138 | DJ188F-14010-A | 1 | Gasket , Exhaust Pipe |
| 97 | 34204-039 | 1 | Output Set, DC B | 139 | DF2500H-14009 | 1 | Exhaust Pipe |
| 98 | 34203-004 | 1 | Engine switch | 140 | GB5787-B-8 | 2 | Flange bolt M8×25 |
| 99 | XP4400-34101-A | 1 | Control panel | 141 | DJ168F-14006-A | | Muffler Gasket |
| 100 | 34213-001 | 1 | Sub Wire Harness Assay | 142 | DF2500H-14018-B | 1 | Outer Hood |
| 101 | 34205-001 | 1 | Voltmeter | 143 | DF2500H-31019-B | 2 | φ3 Clip |
| 102 | 34210-001 | 1 | Rectifier bridge 30A | 144 | 31017-F | 2 | Wheel comp |
| 103 | 34102-A | 1 | Control panel case | 145 | DF3000H-31018-F | 1 | Well shaft |
| 104 | 34109 | 1 | Boot, main wire harness | 146 | DF3000H-31070-E | 2 | Support |
| 105 | 34117 | 1 | Boot, AC output wire | 147 | GBT889-N-6 | 2 | Flange nut M6 |
| 106 | 34212-001 | 1 | Boot, main wire harness | 148 | DF9000H-31204-A | 2 | Rubber feet |
| 107 | GBT6170-N-8 | 6 | Flange nut M8 | 149 | DF6500H-31016-A | 2 | Rubber Coat, Handle |
| 108 | GBT5789-B5-16 | 8 | Flange bolt M5×16 | 150 | DF3800H-31058-C | 2 | Handle |
| 109 | DF1800H-33006-B | 1 | Generator end cover | 151 | GBT889-N-8×20 | 10 | Flange bolt M8×20 |
| 110 | DF3500H-33015-A | 4 | Flange bolt M6×156 | 152 | DFD3000H-31021-B | 1 | Axle |
| 111 | DF1800H-33005-A | 1 | GENERATOR STAY | 153 | 34202-006 | 1 | Transfer Switch |
| 112 | DF3500H-33001 | 1 | BRUSH ASSEMBLY | 154 | DJ170N-B | 1 | Gasoline engine |
| 113 | DF3500H-33002 | 1 | Conecting Plate | 155 | XP4400-31100-B | 1 | Frame com |
| 114 | DF2500H-33011-A | 1 | Voltage regulator | | | | |
| 115 | DF3500H-33003-A | 1 | Bolt M8×220 | | | | |
| 116 | GBT93-LW-8 | 1 | Plain washer φ8 | | | | |
| 117 | GBT97-W-8 | 2 | Plain Washer | | | | |
| 118 | GB276-89-6204 | 1 | Bearing 6204-2RS | | | | |
| 119 | DF3500H-33110-B | 1 | ROTOR ASSEMBLY | | | | |
| 120 | DF3000H33103-B-23602 | 1 | Stator & Rotor Assy. | | | | |
| 121 | DF2500H-33023 | 1 | Generator fan | | | | |
| 122 | DF3500H-33129 | 1 | Stator cover | | | | |
| 123 | DF3500H-33120 | 1 | Stator Assy. | | | | |
| 124 | DF2500H-14322-D | 1 | rubber belt | | | | |
| 125 | DF2500H-14300-B | 1 | Fuel tank | | | | |
| 126 | 14307 | 1 | Fuel filter | | | | |

EXPLODED VIEW AND PARTS LIST (XP4400E)



| Item | Part | Qty | Description | Item | Part | Qty | Description |
|------|-----------------|-----|------------------------------|------|-----------------|-----|----------------------------|
| 1 | DJ168F-16121-K | 1 | Recoil Sarer | 43 | DJ168F-11009-A | 2 | Set Pin, 10×14 |
| 2 | GBT5787-B6-8 | 4 | Bolt Flange M6×8 | 44 | GB276-89-6205 | 2 | Radial ball bearing (6025) |
| 3 | DJ168F-16118 | 1 | Grommet drain hole | 45 | DJ168F-18500-A | 1 | Spark Plug F7TC |
| 4 | DJ170N-16121-A | 1 | Fan case | 46 | DJ170F-13009-A | 2 | Tappet Litter Valve |
| 5 | GBT6177/10-N-14 | 1 | Flange nut M14 | 47 | DJ170F-13008-B | 2 | Rod, push |
| 6 | DJ168F-16000-A | 1 | Starting Cup | 48 | DJ168F-13300-A | 1 | Plate, push rod guide |
| 7 | DJ168F-16002-A | 1 | Flywheel Fan | 49 | DJ168F-13202-A | 2 | Fastening Bolt |
| 8 | DJ168F-16200-I | 1 | Flywheel | 50 | DJ168F-13203-A | 2 | Adjusting Nut |
| 9 | DJ168F-18300-A | 1 | Amplifier | 51 | DJ168F-13204-A | 2 | Lock Nut |
| 10 | DJ170S-11400-A | 1 | Wind Shiel Assembly | 52 | DJ168F-13201-A | 2 | Arm, valve rocker |
| 11 | DJ168F-18100-C | 1 | Ignition Coil | 53 | DJ170F-12002-A | 1 | Pin, piston |
| 12 | GBT5787-B6-25 | 4 | Flange bolt M6×25 | 54 | DJ168F-12003-A | 2 | Clip, piston pin |
| 13 | DJ168F-11004-A | 2 | Drain Plug Washer | 55 | DJ170F-12200-B | 1 | Tie-rod Assembly |
| 14 | DJ168F-11005-A | 2 | Washer, drain lug | 56 | DJ168F-13006-A | 1 | Rotator, valve |
| 15 | DJ168F-11014-A | 2 | Oil seal, 25×41×6 | 57 | DJ168F-13004-A | 1 | Retainer, IN. Valve spring |
| 16 | DJ170F-11100-C | 1 | Crank case assy. | 58 | DJ168F-13005-A | 1 | Retainer, EX. Valve spring |
| 17 | DJ170FD-14100-B | 1 | Carburetor Assembly | 59 | DJ168F-13003-A | 2 | Spring, valve |
| 18 | DJ168F-14119 | 1 | Lever comp, choke | 60 | DJ168F-13010-A | 1 | Returnrer, Exhaust Valve |
| 19 | GBT5787-B6-16 | 15 | Bolt Flange M6×16 | 61 | DJ168F-13002-A | 1 | Intake Valve |
| 20 | DJ168F-11012-A | 1 | Air-leading Cover | 62 | DJ168F-13001-A | 1 | Exhaust Valve |
| 21 | DJ168F-14027-A | 1 | Air Cleaner Gasket | 63 | DJ168F-13100-B | 1 | Camshaft assy. |
| 22 | DF2500H-14205-A | 1 | Stay, air cleaner | 64 | DJ168F-12104 | 1 | Woodruff Key |
| 23 | GBT5787-B6-12 | 7 | Flange bolt M6×12 | 65 | DJ168F-12100-BB | 1 | Crankshaft Assembly |
| 24 | GBT5787-B5-14 | 4 | Flange bolt M5×14 | 66 | DJ168F-18200-A | 1 | Oil Sensor Assembly |
| 25 | DJ168F-14204 | 1 | Air Cleaner Cover | 67 | DJ168F-15001-A | 1 | Shaft, governor assy. |
| 26 | DJ170F-14201 | 1 | Element, air cleaner | 68 | DJ168F-15006-A | 1 | Pulling Rod |
| 27 | DJ168F-14202 | 1 | Air Cleaner Housing | 69 | DJ170F-15008-A | 1 | Fine Regulating Spring C |
| 28 | DJ168F-14206 | 1 | Packing Slip | 70 | DJ168F-15004-A | 1 | Speed Regulating Arm |
| 29 | GBT6177-N-6 | 2 | Flange nut M6 | 71 | DJ168F-15005-A | 1 | Lock Bolt |
| 30 | DJ168F-14205-A | 1 | Air Cleaner Base | 72 | DJ170F-15007-A | 1 | Back Spring B |
| 31 | DJ168F-14014-A | 1 | Grommet | 73 | DJ168F-15100-A | 1 | centrifugal assy. |
| 32 | DJ168FD-14001-A | 2 | Bolt Stud, 6×90 | 74 | DJ168FD-15200-A | 1 | speed adjuster |
| 33 | DJ168F-14005-A | 1 | Carbretor Gasket | 75 | DJ170F-11003-B | 1 | Crankcase Gasket |
| 34 | DJ168F-14004-A | 1 | Connecting Block,Carbretor | 76 | DJ168F-11002-F | 1 | Pin, dowel, 9×12 |
| 35 | DJ168F-14003-B | 1 | Inlet Gasket | 77 | DJ168F-11007-A | 1 | Oil Filler Assembly |
| 36 | DJ170F-11200-B | 1 | Head comp, cylinder | 78 | DF1800H-33016-A | 1 | Plat |
| 37 | DJ168FD-11013-A | 1 | Tube, Breather | 79 | GBT5787-B8-35 | 6 | bolt M8×35 |
| 38 | DJ168F-11300-C | 1 | Cylinder Head Cover Assembly | 80 | DJ168FD-11001-C | 1 | Crankcase cover |
| 39 | DJ168F-11011-A | 1 | Cylinder Head Cover Gasket | 81 | DJ170F-12001-B | 1 | Piston |
| 40 | GBT5787-B8-60 | 4 | Flange bolt M8×60 | 82 | DJ170F-12300-A | 1 | Scraper Ring Set, Piston |
| 41 | DJ168F-14002-A | 2 | Bolt head, M8×35 | 83 | DJ168F-18600-A | 1 | Starting Motor Assembly |
| 42 | DJ170F-11010-C | 1 | Casket, cylinder head | 84 | DJ168F-11002-B | 1 | Pin, dowel, 7×12 |



| Item | Part | Qty | Description | Item | Part | Qty | Description |
|------|----------------------|-----|----------------------------|------|------------------|-----|--------------------------|
| 84 | XP4400E-31100-B | 1 | Frame comp | 125 | DF2500H-14300-B | 1 | Fuel tank |
| 85 | DF2500H-31201-A | 2 | Bottom rubber A | 126 | 14307 | 1 | Fuel filter |
| 86 | DF2500H-31202-A | 2 | Bottom rubber B | 127 | 14306 | 1 | Fuel filler cap comp |
| 87 | GBT6177-N-8 | 4 | Flange nut M8 | 128 | 14303 | 1 | Fuel sensor |
| 88 | GBT889-N-8 | 10 | Flange nut M8 | 129 | GBT819-B-5 | 2 | Screw M5×10 |
| 89 | DF2500H-14304-A | 1 | Rubber Screws, Fuel Tank | 130 | 14313 | 1 | GASKET,FUEL SENSOR |
| 90 | 34107 | 1 | Earth terminal set | 131 | 14311 | 4 | Washer |
| 91 | 34206-100 | 1 | Circuit breaker | 132 | 14305 | 4 | Collar |
| 92 | 34204-003 | 1 | 4-holes Socket | 133 | 14304 | 4 | Cushion |
| 93 | 34204-005 | 1 | 3-holes Socket | 134 | DJ168FD-14007-C | 1 | Outlet pipeφ4.5×165 |
| 94 | 20140 | 4 | Plain Washer | 135 | DJ168F-14008-A | 2 | Tube clip |
| 95 | 34204-038 | 1 | Output Set, DC A | 136 | DF2500H-14302-A | 1 | Fuel cock |
| 96 | 34208-004 | 1 | Over-current protector, DC | 137 | DF2500H-14400-E | 1 | Muffler |
| 97 | 34204-039 | 1 | Output Set, DC B | 138 | DJ188F-14010-A | 1 | Gasket , Exhaust Pipe |
| 98 | 34203-002 | 1 | Engine switch | 139 | DF2500H-14009 | 1 | Exhaust Pipe |
| 99 | XP4400E-34101-A | 1 | Control panel | 140 | GB5787-B-8 | 2 | Flange bolt M8×25 |
| 100 | 34213-002 | 1 | Sub Wire Harness Assay | 141 | DJ168F-14006-A | | Muffler Gasket |
| 101 | 34205-001 | 1 | Voltmeter | 142 | DF2500H-14018-B | 1 | Outer Hood |
| 102 | 34210-001 | 1 | Rectifier bridge 30A | 143 | DF2500H-31019-B | 2 | φ3 Clip |
| 103 | 34102-A | 1 | Control panel case | 144 | 31017-F | 2 | Wheel comp |
| 104 | 34109 | 1 | Boot, main wire harness | 145 | DF3000H-31018-F | 1 | Well shaft |
| 105 | 34117 | 1 | Boot, AC output wire | 146 | DF3000H-31070-E | 2 | Support |
| 106 | 34212-001 | 1 | Boot, main wire harness | 147 | GBT889-N-6 | 2 | Flange nut M6 |
| 107 | GBT6170-N-8 | 6 | Flange nut M8 | 148 | DF9000H-31204-A | 2 | Rubber feet |
| 108 | GBT5789-B5-16 | 8 | Flange bolt M5×16 | 149 | DF6500H-31016-A | 2 | Rubber Coat, Handle |
| 109 | DF1800H-33006-B | 1 | Generator end cover | 150 | DF3800H-31058-C | 2 | Handle |
| 110 | DF3500H-33015-A | 4 | Flange bolt M6×156 | 151 | GBT889-N-8×20 | 10 | Flange bolt M8×20 |
| 111 | DF1800H-33005-A | 1 | GENERATOR STAY | 152 | DFD3000H-31021-B | 1 | Axle |
| 112 | DF3500H-33001 | 1 | BRUSH ASSEMBLY | 153 | 34202-006 | 1 | Transfer Switch |
| 113 | DF3500H-33002 | 1 | Conecting Plate | 154 | DJ170N-BD | 1 | Gasoline engine |
| 114 | DF2500H-33011-A | 1 | Voltage regulator | 155 | 34224-001 | 1 | Charger |
| 115 | DF3500H-33003-A | 1 | Bolt M8×220 | 156 | DF1800H-31033-A | 1 | Foot |
| 116 | GBT93-LW-8 | 1 | Plain washer φ8 | 157 | 31040-001 | 1 | Negative Wire of battery |
| 117 | GBT97-W-8 | 2 | Plain Washer | 158 | 31300-001 | 1 | 7Ah battery |
| 118 | GB276-89-6204 | 1 | Bearing 6204-2RS | 159 | 31038-001 | 1 | Positive wire of battery |
| 119 | DF3500H-33110-B | 1 | ROTOR ASSEMBLY | | | | |
| 120 | DF3000H33103-B-23602 | 1 | Stator & Rotor Assy. | | | | |
| 121 | DF2500H-33023 | 1 | Generator fan | | | | |
| 122 | DF3500H-33129 | 1 | Stator cover | | | | |
| 123 | DF3500H-33120 | 1 | Stator Assy. | | | | |
| 124 | DF2500H-14322-D | 1 | rubber belt | | | | |