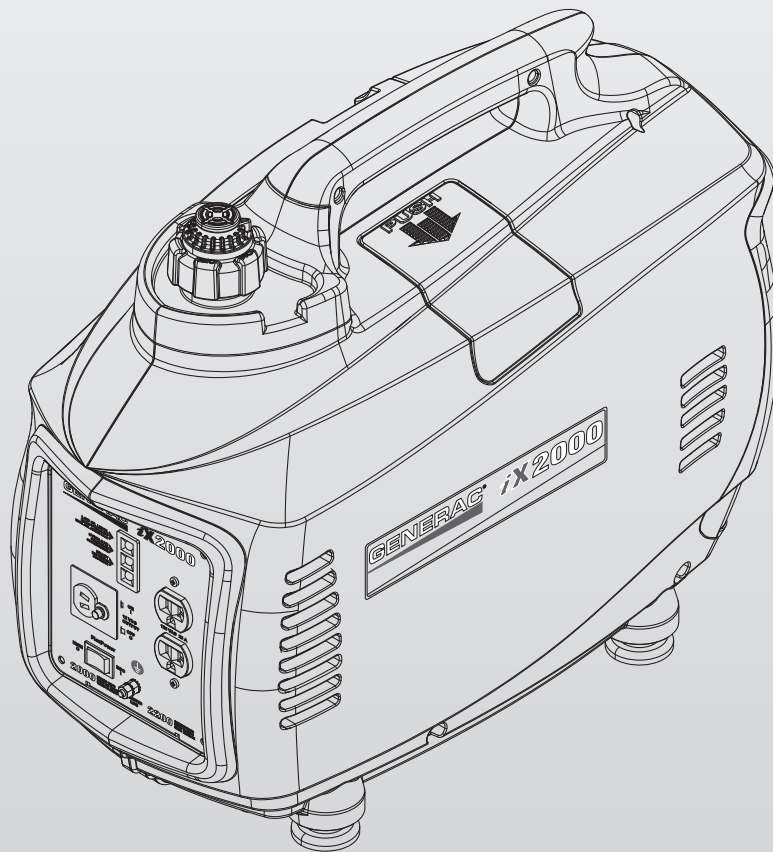


# GENERAC®

MODEL: 005793-2

## iX 2000

### Digital Inverter Generator Operator's Manual



[www.generac.com](http://www.generac.com) or 1-888-GENERAC

# Table of Contents

<b>Accessory Box</b> .....	<b>Inside Front Cover</b>
<b>Introduction</b> .....	<b>1</b>
<b>Read this Manual Thoroughly</b> .....	<b>1</b>
<b>Safety Rules</b> .....	<b>1</b>
Standards Index .....	3
<b>General Information</b> .....	<b>4</b>
Specifications .....	4
Emissions Information.....	4
Unit Identification .....	4
Control Panel.....	5
<b>Operation</b> .....	<b>5</b>
Pre-Use Check.....	5
Starting the Generator .....	5
Adding Loads.....	6
Using the FlexPower™ Switch .....	7
Using the 12 VDC Battery Charger .....	7
Shutting Down .....	7
Low Oil Level Shutdown.....	7
Fueling the Generator .....	8
To Fill the Fuel Tank .....	8
Adding Engine Oil.....	8
To Add Engine Oil to the Crankcase .....	8
<b>Maintenance</b> .....	<b>9</b>
Generator Maintenance .....	9
Generator Maintenance Schedule .....	9
Cleaning the Generator.....	9
Engine Maintenance.....	9
Changing the Engine Oil .....	10
Changing the Fuel Filter .....	10
Changing the Spark Plug.....	10
Transportation and Storage .....	11
<b>Troubleshooting</b> .....	<b>12</b>
Troubleshooting Guide.....	12
<b>Notes</b> .....	<b>13</b>
<b>Warranty</b> .....	<b>14</b>
<hr/>	
<b>iX 2000 Manual del operador del generador inversor digital</b> .....	<b>17</b>
<b>iX 2000 Manuel d'utilisation du générateur inverseur numérique</b> .....	<b>35</b>

## ACCESSORY BOX

Check all contents. If any parts are missing or damaged locate an authorized dealer at 1-888-436-3722.

Contents include:

- 1 bottle SAE 30 Oil
- Spark Plug Wrench
- Battery Charge Cable
- Oil Funnel
- Screwdriver

## INTRODUCTION

Thank you for purchasing this model by Generac Power Systems, Inc. This model is a compact, high performance, air-cooled, engine driven generator designed to supply electrical power to operate electrical loads where no utility power is available or in place of utility due to a power outage.

## READ THIS MANUAL THOROUGHLY

If any portion of this manual is not understood, contact the nearest Authorized Dealer for starting, operating and servicing procedures.

The operator is responsible for proper and safe use of the equipment. We strongly recommend that the operator read this manual and thoroughly understand all instructions before using the equipment. We also strongly recommend instructing other users to properly start and operate the unit. This prepares them if they need to operate the equipment in an emergency.

The generator can operate safely, efficiently and reliably only if it is properly located, operated and maintained. Before operating or servicing the generator:

- Become familiar with and strictly adhere to all local, state and national codes and regulations.
- Study all safety warnings in this manual and on the product carefully.
- Become familiar with this manual and the unit before use.

The manufacturer cannot anticipate every possible circumstance that might involve a hazard. The warnings in this manual, and on tags and decals affixed to the unit are, therefore, not all inclusive. If using a procedure, work method or operating technique that the manufacturer does not specifically recommend, ensure that it is safe for others. Also make sure the procedure, work method or operating technique utilized does not render the generator unsafe.

THE INFORMATION CONTAINED HEREIN WAS BASED ON MACHINES IN PRODUCTION AT THE TIME OF PUBLICATION. GENERAC RESERVES THE RIGHT TO MODIFY THIS MANUAL AT ANY TIME.

## SAFETY RULES

Throughout this publication, and on tags and decals affixed to the generator, DANGER, WARNING, CAUTION and NOTE blocks are used to alert personnel to special instructions about a particular operation that may be hazardous if performed incorrectly or carelessly. Observe them carefully. Their definitions are as follows:

### **DANGER!**

**Indicates a hazardous situation or action which, if not avoided, will result in death or serious injury.**

### **WARNING!**

**Indicates a hazardous situation or action which, if not avoided, could result in death or serious injury.**

### **CAUTION!**


**Indicates a hazardous situation or action which, if not avoided, could result in minor or moderate injury.**

### **NOTE:**

**Notes contain additional information important to a procedure and will be found within the regular text body of this manual.**

These safety warnings cannot eliminate the hazards that they indicate. Common sense and strict compliance with the special instructions while performing the action or service are essential to preventing accidents.

Four commonly used safety symbols accompany the **DANGER**, **WARNING** and **CAUTION** blocks. The type of information each indicates is as follows:

 **This symbol points out important safety information that, if not followed, could endanger personal safety and/or property of others.**

 **This symbol points out potential explosion hazard.**

 **This symbol points out potential fire hazard.**

 **This symbol points out potential electrical shock hazard.**

## GENERAL HAZARDS

- Never operate in an enclosed area or indoors.
- For safety reasons, the manufacturer recommends that the maintenance of this equipment is carried out by an Authorized Dealer. Inspect the generator regularly, and contact the nearest Authorized Dealer for parts needing repair or replacement.
- Operate generator only on level surfaces and where it will not be exposed to excessive moisture, dirt, dust or corrosive vapors.
- Keep hands, feet, clothing, etc., away from drive belts, fans, and other moving parts. Never remove any fan guard or shield while the unit is operating.
- Certain parts of the generator get extremely hot during operation. Keep clear of the generator until it has cooled to avoid severe burns.
- Do NOT operate generator in the rain.
- Do not alter the construction of the generator or change controls which might create an unsafe operating condition.
- Never start or stop the unit with electrical loads connected to receptacles AND with connected devices turned ON. Start the engine and let it stabilize before connecting electrical loads. Disconnect all electrical loads before shutting down the generator.
- When working on this equipment, remain alert at all times. Never work on the equipment when physically or mentally fatigued.

## Safety Rules

**! SAVE THESE INSTRUCTIONS** – The manufacturer suggests that these rules for safe operation be copied and posted near the unit's installation site. Safety should be stressed to all operators and potential operators of this equipment.

- Never use the generator or any of its parts as a step. Stepping on the unit can stress and break parts, and may result in dangerous operating conditions from leaking exhaust gases, fuel leakage, oil leakage, etc.

### **EXHAUST & LOCATION HAZARDS**

- **Never operate in an enclosed area or indoors! NEVER use in the home, or in partly enclosed areas such as garages, even if doors and windows are open! ONLY use outdoors and far from open windows, doors, vents, and in an area that will not accumulate deadly exhaust.**

<b>! DANGER</b>	
<b>Using a generator indoors CAN KILL YOU IN MINUTES.</b>	
<b>Generator exhaust contains carbon monoxide. This is a poison you cannot see or smell.</b>	
	
<b>NEVER use inside a home or garage, EVEN IF doors and windows are open.</b>	
	<b>Only use OUTSIDE and far away from windows, doors, and vents.</b>

- The engine exhaust fumes contain carbon monoxide, which you cannot see or smell. This poisonous gas, if breathed in sufficient concentrations, can cause unconsciousness or even death.
- Adequate, unobstructed flow of cooling and ventilating air is critical to correct generator operation. Do not alter the installation or permit even partial blockage of ventilation provisions, as this can seriously affect safe operation of the generator. The generator **MUST** be operated outdoors.
- This exhaust system must be properly maintained. Do nothing that might render the exhaust system unsafe or in noncompliance with any local codes and/or standards.
- Always use a battery operated carbon monoxide alarm indoors, installed according to the manufacturers instructions.
- If you start to feel sick, dizzy, or weak after the generator has been running, move to fresh air **IMMEDIATELY**. See a doctor, as you could have carbon monoxide poisoning.

### **ELECTRICAL HAZARDS**

- The generator produces dangerously high voltage when in operation. Avoid contact with bare wires, terminals, connections, etc., while the unit is running, even on equipment connected to the generator. Ensure all appropriate covers, guards and barriers are in place before operating the generator.
- Never handle any kind of electrical cord or device while standing in water, while barefoot or while hands or feet are wet. **DANGEROUS ELECTRICAL SHOCK MAY RESULT.**
- The National Electric Code (NEC) requires the frame and external electrically conductive parts of the generator be properly connected to an approved earth ground. Local electrical codes may also require proper grounding of the generator. Consult with a local electrician for grounding requirements in the area.
- Use a ground fault circuit interrupter in any damp or highly conductive area (such as metal decking or steel work).
- Do not use worn, bare, frayed or otherwise damaged electrical cord sets with the generator.
- In case of accident caused by electric shock, immediately shut down the source of electrical power. If this is not possible, attempt to free the victim from the live conductor. **AVOID DIRECT CONTACT WITH THE VICTIM.** Use a non-conducting implement, such as a rope or board, to free the victim from the live conductor. If the victim is unconscious, apply first aid and get immediate medical help.

### **FIRE HAZARDS**

- **Gasoline is highly FLAMMABLE and its vapors are EXPLOSIVE. Do not permit smoking, open flames, sparks or heat in the vicinity while handling gasoline.**
- **Never add fuel while unit is running or hot.** Allow engine to cool completely before adding fuel.
- **Never fill fuel tank indoors.** Comply with all laws regulating storage and handling of gasoline.
- **Do not overfill the fuel tank. Always allow room for fuel expansion.** If tank is over-filled, fuel can overflow onto a hot engine and cause FIRE or an EXPLOSION. Never store generator with fuel in tank where gasoline vapors might reach an open flame, spark or pilot light (as on a furnace, water heater or clothes dryer). FIRE or EXPLOSION may result. Allow unit to cool entirely before storage.
- Wipe up any fuel or oil spills immediately. Ensure that no combustible materials are left on or near the generator. Keep the area surrounding the generator clean and free from debris and keep a clearance of five (5) feet on all side to allow for proper ventilation of the generator.
- Do not insert objects through unit's cooling slots.

- **Do not** operate the generator if connected electrical devices overheat, if electrical output is lost, if engine or generator sparks or if flames or smoke are observed while unit is running.
- Keep a fire extinguisher near the generator at all times.

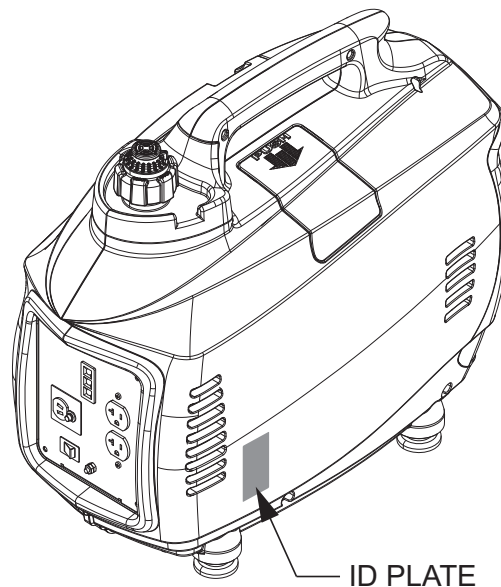
MODEL NO:	
SERIAL NO:	

**STANDARDS INDEX**

In the absence of pertinent standards, codes, regulations and laws, the published information listed below may be used as a guideline for operation of this equipment. Always reference the latest revision available for the standards listed.

1. NFPA No. 70, NFPA HANDBOOK OF NATIONAL ELECTRIC CODE.
2. Article X, NATIONAL BUILDING CODE, available from the American Insurance Association, 85 John Street, New York, N.Y. 10038.
3. AGRICULTURAL WIRING HANDBOOK, available from the Food and Energy Council, 909 University Avenue, Columbia, MO 65201.
4. ASAE EP-3634, INSTALLATION AND MAINTENANCE OF FARM STANDBY ELECTRICAL SYSTEMS, available from the American Society of Agricultural Engineers, 2950 Niles Road, St. Joseph, MI 49085.

**Figure 1 - Generator ID Plate**



**CALIFORNIA PROPOSITION 65 WARNING**

Engine exhaust and some of its constituents are known to the State of California to cause cancer, birth defects and other reproductive harm.

**CALIFORNIA PROPOSITION 65 WARNING**

This product contains or emits chemicals known to the State of California to cause cancer, birth defects and other reproductive harm.

# General Information

## SPECIFICATIONS

Engine Type	Single Cylinder, 4-Stroke
Engine Size	127cc
Starter Type	Recoil
Fuel Capacity/Type	1.0 Gal (3.8L)/Unleaded
Oil Capacity	0.63 Qt (0.6L)
Runtime Full/Half Load	2.8/4.7 Hours
Spark Plug Type	NGK BPR6ES
Spark Plug Gap	.030"
Dimensions L x W x H (in)	22 x 12 x 18
Weight Lb/kg	49.6/22.5
Maximum AC Output	2000W
Surge AC Output	2200W
AC Volts	120 VAC
Rated AC Current	16.7 A
Frequency	60 Hz
THD	3.0%
Insulation Class	Class B
Outlets	(2) 5-20R, (1) 12 VDC
DC Volts	12 VDC
Rated DC Current	5 A

### NOTE:

**Power output and runtime are influenced by many factors, some of which are fuel quality, ambient temperature and engine condition. Output decreases approximately 3.5% for each 1,000 feet above sea level and 1% for every 10 degrees above 60°F.**

## EMISSIONS INFORMATION

The Environmental Protection Agency (EPA) requires that your generator comply with exhaust emission standards. This generator is certified to meet the applicable EPA emission levels. Additional information regarding the requirements set by EPA is as follows:

The maintenance specifications provided in this manual must be followed to ensure that your engine complies with the applicable emission standards for the duration of the engine's life. This engine is certified to operate on gasoline. The emission control system on your generator consists of the following:

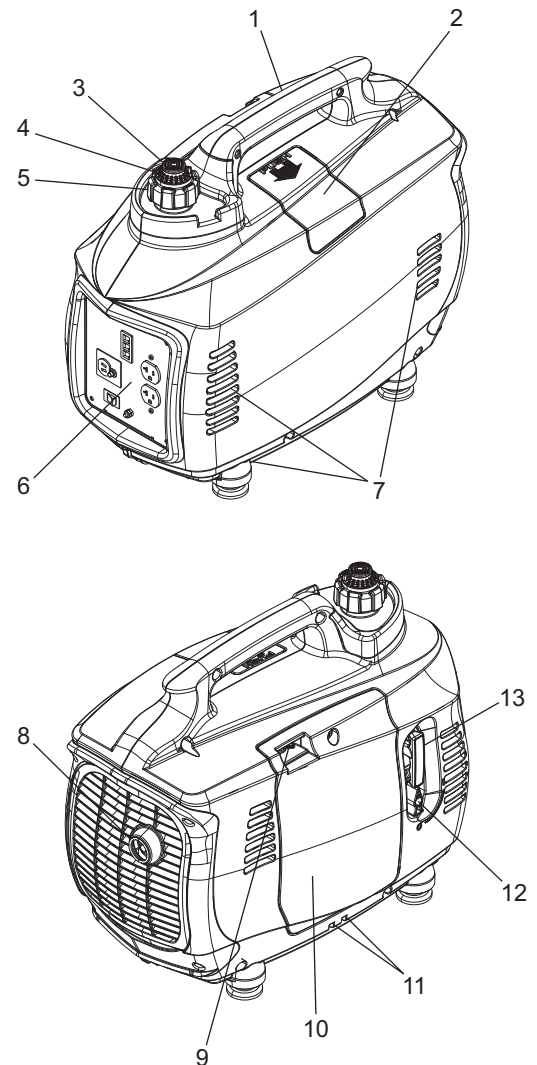
- Fuel Metering System
  - ~ Carburetor
  - ~ Fuel Pump
  - ~ Fuel Lines
- Air Induction System
  - ~ Intake pipe / manifold
  - ~ Air cleaner
- Ignition System
  - ~ Spark plug
  - ~ Ignition module

The Emissions Compliance Period referred to on the Emissions Compliance Label indicates the number of operating hours for which the engine has been shown to meet Federal emission requirements.

## UNIT IDENTIFICATION (Figure 2)

1. Carrying Handle: Lift the generator by this handle only.
2. Spark Plug Cover: Allows access to the engine spark plug.
3. Fuel System Primer: Used to prime the fuel system for starting.
4. Fuel Cap Pressure Valve: Allows air to enter the fuel tank to equalize pressure.
5. Fuel Tank Cap: Access to fuel tank for filling.
6. Control Panel: location of generator controls and output receptacles.
7. Air Intake Slats: Allows for cooling air to enter the housing.
8. Muffler: Lowers engine exhaust noise.
9. Choke: Cold engine starting aid
10. Left Side Service Cover: Allows access to air filter, fuel filter and oil fill.
11. Vent Hoses: Hoses allow venting of the carburetor.
12. Fuel Shutoff: Controls fuel supply to the carburetor.
13. Starter Rope: Pull rope for starting engine.

**Figure 2 - Unit Identification**



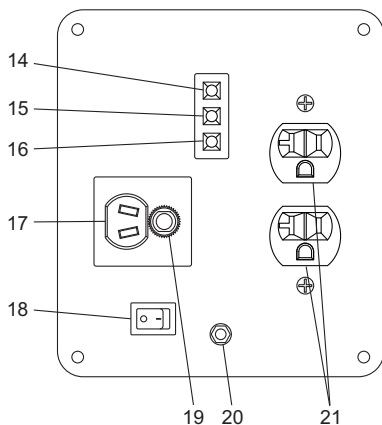
## CONTROL PANEL (Figure 3)

14. LOW OIL LEVEL LED (yellow): Lights up when oil level is below safe operating level and the engine shuts down..
15. OVERLOAD LED (red): Lights up if the generator experiences a load greater than the rated output, low voltage, overheats or the powered circuit experiences a short. The output is stopped even though the engine keeps running.
16. READY LED (green): Indicates output from the generator unless there is a low oil or overload condition.
17. 12 VDC Plug: Connection for re-charging 12VDC automotive-style batteries while generator is in operation.
18. FlexPower™ Switch: This switch slows the engine speed when the load is reduced to save fuel and engine wear.
19. 12 VDC Circuit Breaker: Overload protection for the 12 VDC charging system.
20. Ground (Earth) Connection Lug: Grounding point for the generator; consult state and local electrical codes before use (floating ground).
21. 120 VAC Receptacles: Two (2) receptacles for connecting accessories.

### NOTE:

**Do not exceed the rated output of the generator.**

**Figure 3 - Control Panel**



## PRE-USE CHECK

Prior to starting the generator and adding loads, perform the following tasks:

1. Make sure the generator is on a firm, level, non-combustible surface with at least five (5) feet of clearance on all sides.

### **⚠ DANGER!**

**⚠ Never operate in an enclosed area or indoors! NEVER use in the home, or in partly enclosed areas such as garages, even if doors and windows are open! ONLY use outdoors and far from open windows, doors, vents, and in an area that will not accumulate deadly exhaust.**

**⚠ DANGER**

**Using a generator indoors CAN KILL YOU IN MINUTES.**

**Generator exhaust contains carbon monoxide. This is a poison you cannot see or smell.**

		
<b>NEVER use inside a home or garage, EVEN IF doors and windows are open.</b>		<b>Only use OUTSIDE and far away from windows, doors, and vents.</b>

2. Remove the fuel cap and check the fuel level. If fuel is needed, see the section "FUELING THE GENERATOR".
3. Remove the left side service cover and check the oil level by removing the oil filler cap. The oil level should be to the bottom of the threads on the oil fill pipe. If oil is needed, see the section "ADDING ENGINE OIL".
4. Replace and secure the left side service cover.
5. Make sure there are no loads connected to the generator.
6. The National Electric Code (NEC) requires the frame and external electrically conductive parts of the generator be properly connected to an approved earth ground. Proper grounding of the generator will prevent electrical shock in the event of a ground fault condition in the generator or in connected electrical devices. Proper grounding also helps dissipate static electricity, which often builds up in unguarded devices.
7. Local electrical codes may also require proper grounding of the generator.

### **⚠ CAUTION!**

**⚠ Starting the generator with accessories connected to the 120 VAC outlets will damage the generator and the connected accessories.**

## STARTING THE GENERATOR

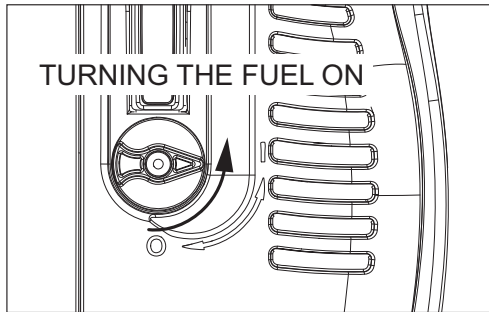
Once the fuel and oil levels have been checked and it has been verified there are no loads connected, the generator may be started. Turn the FlexPower Switch OFF (O).

1. Open the fuel valve (Figure 4), located below the starter rope pull, by turning to the valve 90° counter-clockwise to the "ON" (I) position.
2. Pull up on the center of the fuel fill cap and prime the fuel system by depressing the plunger up to five (5) times with the vent closed (Figure 5 on next page).
3. Open the fuel tank vent on the top of the fuel fill cap by turning the center portion to the "ON" mark (Figure 6 on next page).
4. If the engine is cold or has not been run for some time, engage the choke by pushing the choke lever to the right.

# Operation

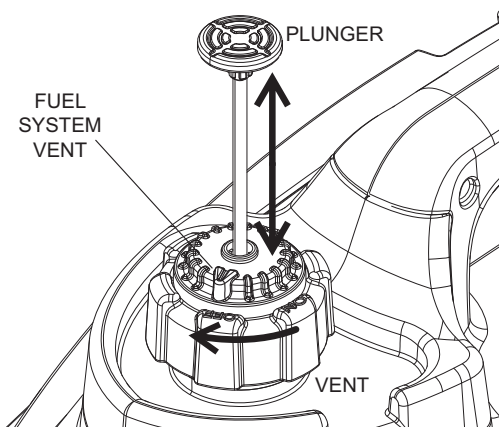
- Grip the handle for the pull starter and brace your other hand against the generator. Pull the rope slowly until resistance is felt, then pull the rope rapidly.
- If the engine does not start, repeat steps 2-5 until the engine fires and begins to run.

**Figure 4 - Fuel Valve**

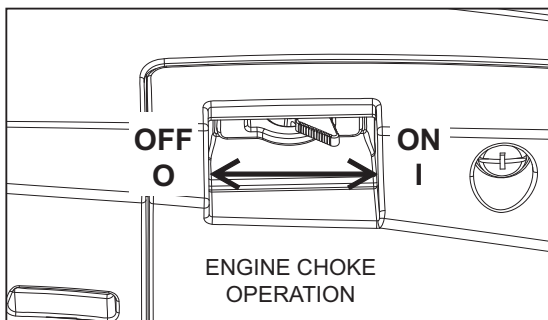


- Carefully adjust the choke to approximately the 1/2 position until the engine begins to run smoothly, then push the lever all the way to the left (Figure 6).
- Make sure the bottom of the generator is not blocked by sand, leaves, grass, etc. as the cooling vents are located on the bottom of the unit.

**Figure 5 - Prime Fuel System**



**Figure 6 - Adjust Choke**



## ADDING LOADS

Once the generator has been running smoothly for 2-3 minutes, electrical loads can be added.

### ⚠ WARNING!

**Do not use worn, bare, frayed or otherwise damaged electrical cord sets with the generator. Do not handle any kind of electrical device while standing in water, while barefoot, or while hands or feet are wet.**

- There are two grounded 120 VAC duplex outlets on the front of the generator.
- DO NOT overload the generator; if the red "overload" LED lights up and the accessories attached to the generator stop operating, stop the engine and reduce the load to the generator. Restart and apply reduced loads.
- Consult the following table to estimate what can be powered by the generator.

Device	Running Watts
*Air Conditioner (12,000 Btu)	1700
*Air Conditioner (24,000 Btu)	3800
*Air Conditioner (40,000 Btu)	6000
Battery Charger (20 Amp)	500
Belt Sander (3")	1000
Chain Saw	1200
Circular Saw (6-1/2")	800 to 1000
*Clothes Dryer (Electric)	5750
*Clothes Dryer (Gas)	700
*Clothes Washer	1150
Coffee Maker	1750
*Compressor (1 HP)	2000
*Compressor (3/4 HP)	1800
*Compressor (1/2 HP)	1400
Curling Iron	700
*Dehumidifier	650
Disc Sander (9")	1200
Edge Trimmer	500
Electric Blanket	400
Electric Nail Gun	1200
Electric Range (per element)	1500
Electric Skillet	1250
*Freezer	700
*Furnace Fan (3/5 HP)	875
*Garage Door Opener	500 to 750
Hair Dryer	1200
Hand Drill	250 to 1100
Hedge Trimmer	450
Impact Wrench	500
Iron	1200
*Jet Pump	800
Lawn Mower	1200
Light Bulb	100
Microwave Oven	700 to 1000
*Milk Cooler	1100
Oil Burner on Furnace	300
Oil Fired Space Heater (140,000 Btu)	400



Oil Fired Space Heater (85,000 Btu) . . . . .	225
Oil Fired Space Heater (30,000 Btu) . . . . .	150
*Paint Sprayer, Airless (1/3 HP) . . . . .	600
Paint Sprayer, Airless (handheld) . . . . .	150
Radio . . . . .	50 to 200
*Refrigerator . . . . .	700
Slow Cooker . . . . .	200
*Submersible Pump (1-1/2 HP) . . . . .	2800
*Submersible Pump (1 HP) . . . . .	2000
*Submersible Pump (1/2 HP) . . . . .	1500
*Sump Pump . . . . .	800 to 1050

\* Allow three (3) times the listed running watts for starting these devices.

**NOTE:**

When an electric motor is started, the "OVERLOAD" LED may light up for up to five (5) seconds (this is normal). If it stays on, a fault has occurred. Remove all loads and shut down generator to reset the alarm. Restart the generator. If the "OVERLOAD" LED remains lit, contact a Generac Dealer for assistance.

## USING THE FLEXPPOWER™ SWITCH

When the accessories connected to the generator are going to be used intermittently (such as a hand drill), the FlexPower™ switch can be pushed to the "ON" (I) position. This will lower the generator engine speed when loads are not being applied, saving fuel, reducing engine wear and extending runtime.

## USING THE 12 VDC BATTERY CHARGER

The 12 VDC receptacle may be used to recharge 12 VDC automotive batteries only. The DC charging output is not regulated. The circuit protector does not prevent over-charging a battery.

1. Connect the charging cable to the generator first, then the battery, ALWAYS connecting the red lead to positive (+) and the black to negative (-).

**⚠ DANGER!**

**Do not permit smoking, open flame, sparks or any other source of heat around a battery. Wear protective goggles, rubber apron and rubber gloves when working around a battery. Battery electrolyte fluid is an extremely corrosive sulfuric acid solution that can cause severe burns. If a spill occurs, flush area with clear water immediately.**

**Storage batteries give off explosive hydrogen gas while recharging. An explosive mixture will remain around the battery for a long time after it has been charged. The slightest spark can ignite the hydrogen and cause an explosion. Such an explosion can shatter the battery and cause blindness or other serious injury.**

**⚠ NEVER reverse the polarity when connecting the battery terminals to the charging jack. Severe damage may occur to the generator and battery.**

2. Keep the FlexPower™ switch in the "OFF" (O) position.
3. Start the generator and use it as normal. Charging time will vary with battery size and condition. Check the voltage at the battery terminals once the charging cable has been unplugged or the generator has been shut down.

**NOTE:**

**This receptacle can not recharge 6-Volt batteries and can not be used to crank an engine having a discharged battery.**

## SHUTTING DOWN

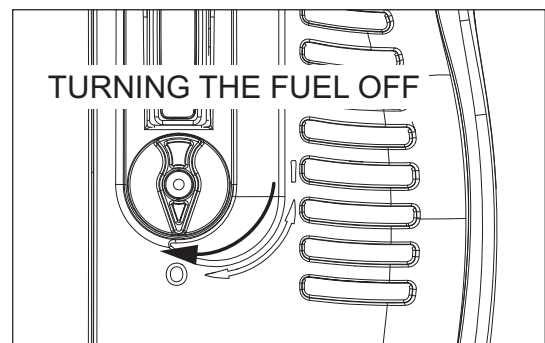
Once the generator is no longer needed it can be shut down.

1. Switch off any accessories connected to the generator. Unplug any cords to the 120 VAC duplex outlets or the 12 VDC plug.
2. Turn the fuel valve to the "OFF" (O) position (Figure 7). A switch behind the fuel valve grounds the ignition system, stopping the engine and the fuel supply is shut off.
3. Close the vent on the fuel cap.
4. Allow the generator to cool before moving or storing.

**⚠ CAUTION!**

**Always allow the generator to cool off before storing. High temperatures will be present at the rear of the unit for some time after shutdown.**

*Figure 7 - Turn Off Fuel*



## LOW OIL LEVEL SHUTDOWN

This generator is equipped with a low oil level shut down. If the oil level in the engine crankcase drops below a pre-determined level, the engine will stop automatically and the "LOW OIL LEVEL" LED will light up.

Remove the Left Side Service Cover and check the oil level of the engine. Add or drain oil as necessary; refer to see the section "ADDING ENGINE OIL".

# Operation

## FUELING THE GENERATOR

Use care when fueling the generator. Only fill the fuel tank when the generator has cooled entirely. Use fresh unleaded gasoline with a minimum Research Octane Number (RON) of 87.

### NOTE:

Do not use any gasoline containing more than 10% Ethanol. NEVER fill the fuel tank with E85 or a mixture of oil and gasoline designated for two-cycle engines.

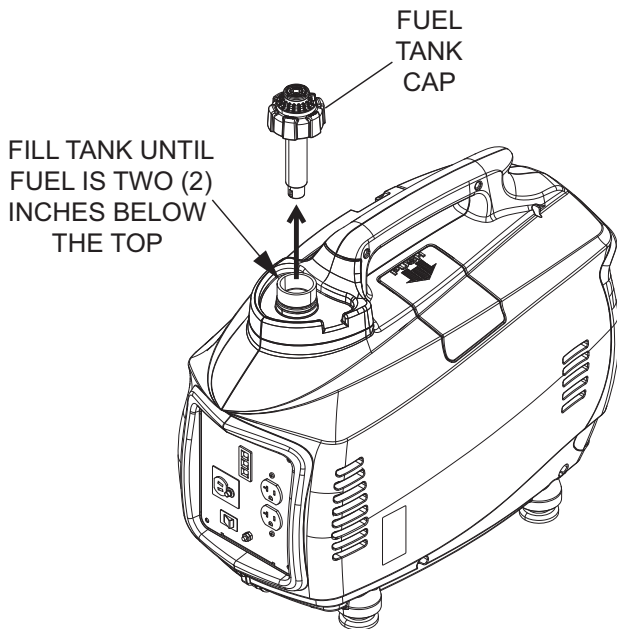
### **⚠ DANGER!**

- ⚠ Do not light a cigarette or smoke when filling the fuel tank.**
- ⚠ Gasoline is highly FLAMMABLE and its vapors are EXPLOSIVE. Do not permit smoking, open flames, sparks or heat in the vicinity while handling gasoline.**
- ⚠ Never fill fuel tank indoors. Never fill fuel tank when engine is running or hot. Avoid spilling gasoline on a hot engine. Allow engine to cool entirely before filling fuel tank.**
- ⚠ Do not overfill the fuel tank. Always allow room for fuel expansion. If tank is over-filled, fuel can overflow onto a hot engine and cause FIRE or an EXPLOSION. Wipe up fuel spills immediately!**

## TO FILL THE FUEL TANK

1. Remove the fuel tank cap.
2. Add fuel slowly, stopping about two (2) inches below the top of the filler neck.

**Figure 8 - Fuel Tank Cap**



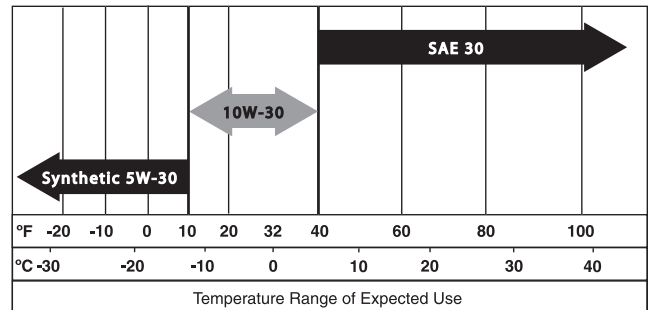
3. Replace the fuel tank cap. Make sure the valve on the fuel cap is in the "OFF" position.
4. If the generator is going to be started, refer to the section "STARTING THE GENERATOR" for additional directions on priming the fuel system.

## ADDING ENGINE OIL

All oil should meet minimum American Petroleum Institute (API) Service Class SJ, SL or better. Do not use any aftermarket additives.

Select the oil's viscosity grade according to the expected operating temperature, only a little more than one-half quart is needed.

- Above 40° F, use SAE 30
- Below 40° F to 10° F, use 10W-30
- Below 10° F, use synthetic 5W-30



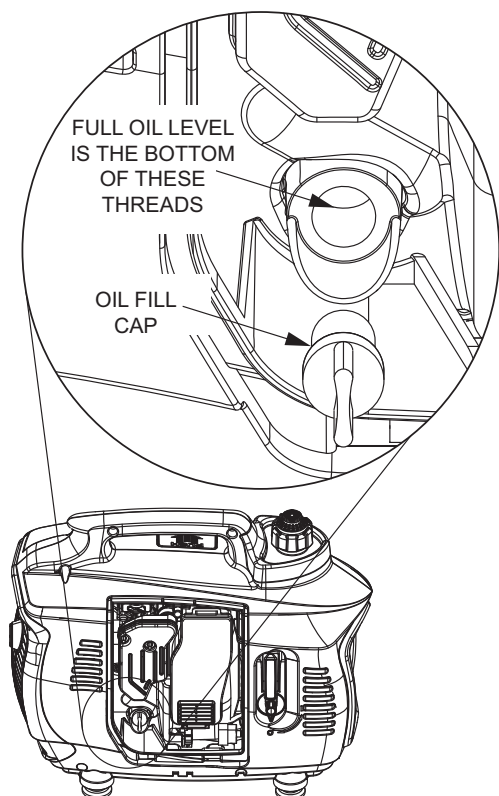
## TO ADD ENGINE OIL TO THE CRANKCASE

1. Place the unit on a firm, level surface.
2. Remove the Left Side Service Cover.
3. Remove the oil fill cap located on the bottom of the engine crankcase.
4. Add the recommended engine oil slowly, stopping frequently to check the level. The full level is the base of the threads in the filler neck. DO NOT OVERFILL!
5. Replace the oil fill cap and tighten.
6. Always check the oil level before starting the generator engine.

### **⚠ CAUTION!**

**⚠ DO NOT overfill the engine crankcase with oil. High oil pressure may result, causing premature engine wear and damage.**

**Figure 9 - Oil Fill**



## GENERATOR MAINTENANCE

Proper care will ensure maximum performance of your generator. Generator maintenance consists of keeping the unit clean and dry. Operate and store the unit in a clean dry environment where it will not be exposed to excessive dust, dirt, moisture or any corrosive vapors.

Cooling air slots in the generator must not become clogged with snow, leaves, or any other foreign material.

Check the cleanliness of the generator frequently and clean when dust, dirt, oil, moisture or other foreign substances are visible on its exterior surface.

**NOTE:**

**Never insert any object or tool through the air cooling slots, even if the engine is not running.**

**NOTE:**

**DO NOT use a garden hose to clean the generator. Water can enter the engine fuel system and cause problems. In addition, if water enters the generator through cooling air slots, some water will be retained in voids and crevices of the rotor and stator winding insulation. Water and dirt buildup on the generator internal windings will eventually decrease the insulation resistance of these windings.**

## GENERATOR MAINTENANCE SCHEDULE

Follow the recommended service schedule; to order replacement parts call 1-888-436-3722.

	Each Use	Every 100 Hours	Every 6 Months	Each Year
Fuel Level	X			
Oil Level	X			
Check Air Filter	X			
*Change Engine Oil		X		
**Clean Air Filter		X		
Check Spark Plug			X	
Check Muffler			X	
Replace Spark Plug				X
Replace Fuel Filter				X

\* Perform initial oil change after the first five (5) hours of operation  
 \*\* Clean the air filter more often if operating in dusty or sandy conditions. Replace as necessary.

## CLEANING THE GENERATOR

1. Use a damp cloth to wipe exterior surfaces clean.
2. A soft, bristle brush may be used to loosen caked on dirt, oil, etc.
3. A vacuum cleaner may be used to pick up loose dirt and debris.
4. Low pressure air (not to exceed 25 psi) may be used to blow away dirt. Inspect cooling air slots and openings on the generator. These openings must be kept clean and unobstructed.
5. Inspect the vent hoses on the left side of the generator. Make sure the hoses protrude through the slots below the door and that the ends are open and free of debris.

## ENGINE MAINTENANCE

**NOTE:**

**Only work on a generator that has cooled completely.**

Inspect the oil level and air filter condition each time you are going to use the generator. To check the air filter and oil level the left side service cover must be removed; use a screwdriver to loosen the screw securing the cover and remove.

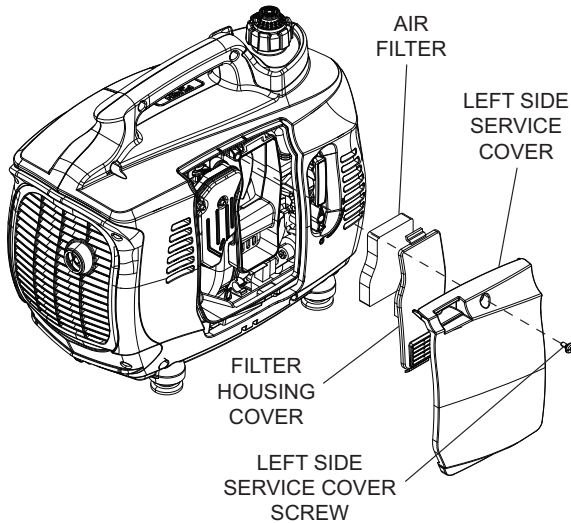
The air filter is located behind a cover for the air box (Figure 10). Push the tab on the bottom of the air box up wards to release the cover. To service the air cleaner:

1. Remove the air cleaner. Tap the element to shake loose any large particles.
2. Wash the element in soapy water. Squeeze the filter dry in clean cloth (DO NOT TWIST).

## Maintenance

3. Soak the filter element in clean engine oil. Squeeze the excess oil from the filter, leaving a light coating.
4. Clean air cleaner housing and cover before re-installing the filter element.

Figure 10 - Air Filter



3. Tip the generator upright once the oil has finished draining. Replace the engine oil with the proper grade called out in Section "ADDING ENGINE OIL", then replace the drain plug.

## CHANGING THE FUEL FILTER

Locate the fuel filter, just below the engine intake housing (Figure 11). Make sure the Fuel Shutoff is in the "OFF" (O) position.

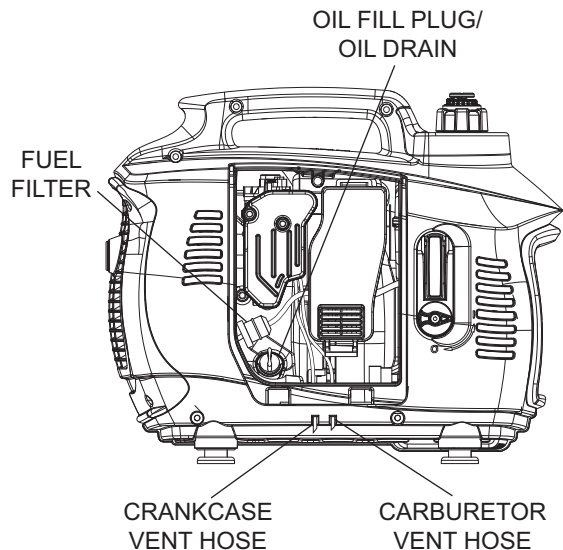
1. Remove the pinch clamps securing the fuel filter. Pull the hoses free.

### ⚠ WARNING!

⚠ **Wipe up any fuel spills immediately! Do not smoke or replace the fuel filter near sparks or open flame!**

2. Replace the used filter with a new one. Push the fuel hoses onto the barbed filter fittings until they are seated completely.
3. Replace the clamps, making sure they are seated on the fittings.

Figure 11 - Fuel Filter



## CHANGING THE ENGINE OIL

### ⚠ CAUTION!

⚠ **Hot oil may cause burns. Allow engine to cool entirely before draining oil. Avoid prolonged or repeated skin exposure with used oil. Thoroughly wash exposed areas with soap.**

Change the engine oil after the first five (5) hours of operation. Change the engine oil every 100 hours thereafter. To change the engine oil:

1. Run the generator briefly to warm the engine oil; this also loosens any engine deposits and makes the used oil flow easier.

### ⚠ CAUTION!

⚠ **Change the oil only when the fuel tank is low or nearly empty. Tipping the generator with a full fuel tank may cause fuel leakage.**

2. Place the generator over a drain pan and remove the drain plug. Tip the generator on its side to drain the used oil from the crankcase.

### NOTE:

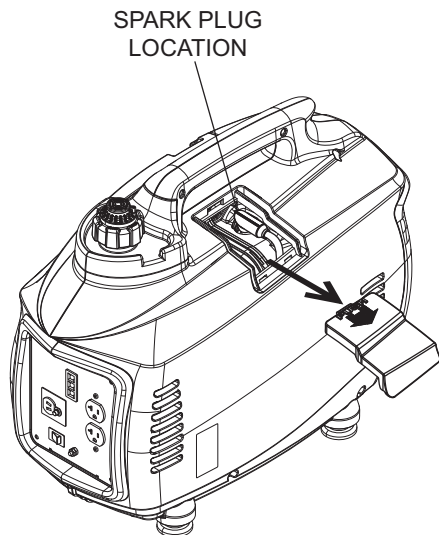
To make draining the oil easier, a 6" length of vinyl (PVC) hose with an inside diameter of 1.25" (32mm) may be placed over the drain lip.

## CHANGING THE SPARK PLUG

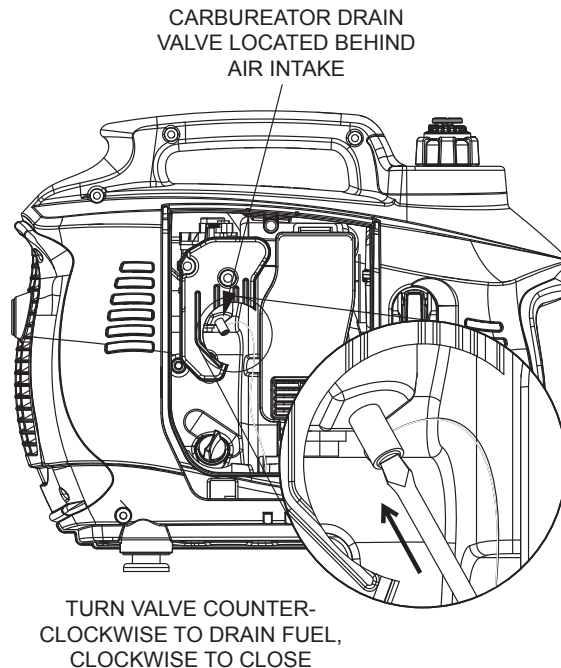
Replace the spark plug each year, regardless of how many hours the generator has been run. Use a NGK BPR6ES that has been gapped to .030" (.76mm). To replace the spark plug:

1. Remove the spark plug cover on the top right side of the generator, just below the handle (Figure 12).
2. Carefully pull the spark plug lead from the spark plug. Use a socket wrench to remove the spark plug.
3. Install the new spark plug into the cylinder head. Tighten the spark plug to 15 ft/lb.
4. Replace the spark plug lead, making sure it is fully seated.
5. Replace the spark plug cover.

**Figure 12 - Replace Spark Plug**



**Figure 13 - Carburetor Drain Valve**



## TRANSPORTATION AND STORAGE

Transport or store the generator only if it has cooled completely. Make sure the fuel valve and the vent on the fuel cap are both in the OFF ("O") position.

It is important to prevent gum deposits from forming in essential fuel system parts such as the carburetor, fuel hose or tank during long-term storage. Also, experience indicates that alcohol-blended fuels (called gasohol, ethanol or methanol) can attract moisture, which leads to separation and formation of acids; these acids in gas can damage the fuel system of an engine while in storage.

To avoid engine problems, the use of a commercial fuel stabilizer prior to storage is recommended. Follow the manufacturer's instructions when adding the fuel stabilizer.

If the generator is going to be stored for more than six (6) months, the generator should be prepared as follows:

1. Remove all gasoline from the fuel tank.
2. Start and run engine until engine stops from lack of fuel or open the valve on carburetor bowl (Figure 13), and allow gasoline to drain down tube into a receptacle. Discard appropriately. Be sure to close the valve once the gasoline has drained.

3. While engine is still warm, drain oil from crankcase. Refill with recommended grade.
4. Remove spark plugs and pour about 1/2 ounce (15 ml) of engine oil into the cylinders. Cover spark plug hole with rag. Pull the starting rope several times to coat the cylinder walls with engine oil.
5. Install and tighten the spark plug.
6. Clean the generator outer surfaces. Check that cooling air slots and openings on generator are open and unobstructed.
7. Store the unit in a clean, dry place.

Do not store gasoline from one season to another.

If possible, store the unit indoors and cover it to give protection from dust and dirt.

## TROUBLESHOOTING GUIDE

PROBLEM	CAUSE	CORRECTIVE ACTION
Engine won't start.	<ol style="list-style-type: none"> <li>1. No fuel in tank.</li> <li>2. Fuel valve turned off.</li> <li>3. Defective spark plug.</li> <li>4. Plugged fuel filter.</li> <li>5. Defective or stuck engine stop switch.</li> </ol>	<ol style="list-style-type: none"> <li>1. Add fuel to tank.</li> <li>2. Turn fuel valve on.</li> <li>3. Replace spark plug.</li> <li>4. Replace fuel filter.</li> <li>5. Replace engine start switch.</li> </ol>
Engine starts, then shuts down.	<ol style="list-style-type: none"> <li>1. Low fuel level.</li> <li>2. Fuel tank vent closed.</li> <li>3. Incorrect engine oil level.</li> <li>4. Contaminated fuel.</li> <li>5. Defective low oil level switch.</li> <li>6. Defective ignition coil.</li> </ol>	<ol style="list-style-type: none"> <li>1. Add fuel to tank.</li> <li>2. Open fuel tank vent.</li> <li>3. Check engine oil level, add or drain as needed.</li> <li>4. Replace fuel filter.</li> <li>5. Replace Low Oil Level switch.</li> <li>6. Replace ignition coil.</li> </ol>
Engine starts, then runs rough.*	<ol style="list-style-type: none"> <li>1. Choke is stuck or left on.</li> <li>2. Dirty or clogged air filter.</li> <li>3. Defective or dirty spark plug.</li> <li>4. Dirty fuel filter.</li> <li>5. Defective FlexPower switch.</li> </ol>	<ol style="list-style-type: none"> <li>1. Turn choke off.</li> <li>2. Clean or replace the air filter element.</li> <li>3. Replace spark plug.</li> <li>4. Replace fuel filter.</li> <li>5. Replace FlexPower switch.</li> </ol>
No AC output.	<ol style="list-style-type: none"> <li>1. Generator is overloaded (OVERLOAD LED is on).</li> <li>2. AC voltage is low (OVERLOAD LED is on).</li> <li>3. Inverter module is overheated (OVERLOAD LED is on).</li> <li>4. Short circuit in load (OVERLOAD LED is on).</li> <li>5. Defective inverter assembly.</li> </ol>	<ol style="list-style-type: none"> <li>1. Shut down generator to reset module. Reduce loads and restart generator.</li> <li>2. Verify vent is open and choke is OFF.</li> <li>3. Verify service door is ON. Let cool for 15 minutes and restart generator.</li> <li>4. Verify condition of any extension cords and all loads being powered.</li> <li>5. Replace inverter assembly.</li> </ol>
No DC output. **	<ol style="list-style-type: none"> <li>1. DC circuit breaker is open.</li> <li>2. Defective DC circuit breaker.</li> <li>3. Defective rectifier.</li> </ol>	<ol style="list-style-type: none"> <li>1. Reset DC circuit breaker.</li> <li>2. Replace DC circuit breaker.</li> <li>3. Replace rectifier.</li> </ol>
Fuel leaks from drain hoses.	<ol style="list-style-type: none"> <li>1. Fuel system over primed (flooded).</li> <li>2. Carburetor drain in bowl is not closed.</li> </ol>	<ol style="list-style-type: none"> <li>1. Turn vent in cap ON and let generator sit 15 minutes before restarting.</li> <li>2. Turn valve clockwise to close.</li> </ol>

\* Engine speed increases and decreases — This is normal as the generator starts up and as loads vary.

\*\* Verify FlexPower Switch is in the "O" OFF position.



## FEDERAL EMISSION CONTROL WARRANTY STATEMENT YOUR WARRANTY RIGHTS AND OBLIGATIONS

The United States Environmental Protection Agency (EPA) and Generac Power Systems, Inc. (Generac) are pleased to explain the Emission Control System warranty on your new 2008 and later equipment. New equipment that use small spark-ignited engines must be designed, built, and equipped to meet stringent anti-smog standards for the federal government. Generac will warrant the emission control system on your generator for the period of time listed below provided there has been no abuse, neglect, unapproved modification or improper maintenance of your equipment.

Your emission control system may include parts such as the: carburetor, ignition system, fuel system, catalytic converter, and other associated emission-related components (if equipped).

### MANUFACTURER'S WARRANTY COVERAGE:

This emission control system is warranted for two years. If, during such warranty period, any emission-related part on your equipment is found to be defective in materials or workmanship, repairs or replacement will be performed by a Generac Authorized Warranty Service Dealer.

### OWNER'S WARRANTY RESPONSIBILITIES:

As the generator owner, you are responsible for the completion of all required maintenance as listed in your factory supplied Owner's Manual. For warranty purposes, Generac recommends that you retain all receipts covering maintenance on your generator, but Generac cannot deny warranty solely due to the lack of receipts.

As the generator owner, you should be aware that Generac may deny any and/or all warranty coverage or responsibility if your generator, or a part/component thereof, has failed due to abuse, neglect, improper maintenance or unapproved modifications, or the use of counterfeit and/or "grey market" parts not made, supplied or approved by Generac.

**You are responsible for contacting a Generac Authorized Warranty Dealer as soon as a problem occurs. The warranty repairs should be completed in a reasonable amount of time, not to exceed 30 days.**

Warranty service can be arranged by contacting either your selling dealer or a Generac Authorized Warranty Service Dealer. To locate the Generac Authorized Warranty Service Dealer nearest you, call our toll free number:

**1-800-333-1322**

**IMPORTANT NOTE:** This warranty statement explains your rights and obligations under the Emission Control System Warranty (ECS Warranty), which is provided to you by Generac pursuant to federal law. See also the "Generac Limited Warranties for Generac Power Systems, Inc.," which is enclosed herewith on a separate sheet, also provided to you by Generac. Note that this warranty shall not apply to any incidental, consequential or indirect damages caused by defects in materials or workmanship or any delay in repair or replacement of the defective part(s). This warranty is in place of all other warranties, expressed or implied. Specifically, Generac makes no other warranties as to the merchantability or fitness for a particular purpose. Some states do not allow limitations on how long an implied warranty lasts, so the above limitation may not apply to you.

The ECS Warranty applies only to the emission control system of your new equipment. If there is any conflict in terms between the ECS Warranty and the Generac Warranty, the Generac Warranty shall apply. Both the ECS Warranty and the Generac Warranty describe important rights and obligations with respect to your new engine.

Warranty service can be performed only by a Generac Authorized Warranty Service Facility. When requesting warranty service, evidence must be presented showing the date of the sale to the original purchaser/owner.

If you have any questions regarding your warranty rights and responsibilities, you should contact Generac at the following address:

**ATTENTION WARRANTY DEPARTMENT  
GENERAC POWER SYSTEMS, INC.  
P.O. BOX 297 • WHITEWATER, WI 53190**

Part 1



**EMISSION CONTROL SYSTEM WARRANTY**

Emission Control System Warranty (ECS warranty) for equipment using small spark-ignited engines:

- (a) **Applicability:** This warranty shall apply to equipment that uses small off-road engines. The ECS Warranty period shall begin on the date the new equipment is purchased by/delivered to its original, end-use purchaser/owner and shall continue for 24 consecutive months thereafter.
- (b) **General Emissions Warranty Coverage:** Generac warrants to the original, end-use purchaser/owner of the new engine or equipment and to each subsequent purchaser/owner that the ECS when installed was:
  - (1) Designed, built and equipped so as to conform with all applicable regulations; and
  - (2) Free from defects in materials and workmanship which cause the failure of a warranted part at any time during the ECS Warranty Period.
- (c) **The warranty on emissions-related parts will be interpreted as follows:**
  - (1) Any warranted part that is not scheduled for replacement as required maintenance in the Owner's Manual shall be warranted for the ECS Warranty Period. If any such part fails during the ECS Warranty Period, it shall be repaired or replaced by Generac according to Subsection (4) below. Any such part repaired or replaced under the ECS Warranty shall be warranted for the remainder of the ECS Warranty Period.
  - (2) Any warranted part that is scheduled only for regular inspection as specified in the Owner's Manual shall be warranted for the ECS Warranty Period. A statement in the Owner's Manual to the effect of "repair or replace as necessary" shall not reduce the ECS Warranty Period. Any such part repaired or replaced under the ECS Warranty shall be warranted for the remainder of the ECS Warranty Period.
  - (3) Any warranted part that is scheduled for replacement as required maintenance in the Owner's Manual shall be warranted for the period of time prior to first scheduled replacement point for that part. If the part fails prior to the first scheduled replacement, the part shall be repaired or replaced by Generac according to Subsection (4) below. Any such emissions-related part repaired or replaced under the ECS warranty shall be warranted for the remainder of the period prior to the first scheduled replacement point for that part.
  - (4) Repair or replacement of any warranted, emissions-related part under this ECS Warranty shall be performed at no charge to the owner at a Generac Authorized Warranty Service Facility.
  - (5) Notwithstanding the provisions of subsection (4) above, warranty services or repairs must be provided at Generac Authorized Service Facilities.
  - (6) When the engine is inspected by a Generac Authorized Warranty Service Facility, the purchaser/owner shall not be held responsible for diagnostic costs if the repair is deemed warrantable.
  - (7) Throughout the ECS Warranty Period, Generac shall maintain a supply of warranted emission-related parts sufficient to meet the expected demand for such parts.
  - (8) Any Generac authorized and approved emission-related replacement parts may be used in the performance of any ECS warranty maintenance or repairs and will be provided without charge to the purchaser/owner. Such use shall not reduce Generac ECS Warranty obligations.
  - (9) Unapproved, add-on, modified, counterfeit and/or "grey market" parts may not be used to modify or repair a Generac engine. Such use voids this ECS Warranty and shall be sufficient grounds for disallowing an ECS Warranty claim. Generac shall not be held liable hereunder for failures of any warranted parts of Generac equipment caused by the use of such an unapproved, add-on, modified, counterfeit and/or "grey market" part.

**EMISSION RELATED PARTS MAY INCLUDE THE FOLLOWING (IF EQUIPPED):**

- |  |  |
|--|--|
| <ul style="list-style-type: none"> <li>1) FUEL METERING SYSTEM                             <ul style="list-style-type: none"> <li>A. CARBURETOR AND INTERNAL PARTS</li> <li>B. PRESSURE REGULATOR</li> </ul> </li> <li>2) AIR INDUCTION SYSTEM                             <ul style="list-style-type: none"> <li>A. INTAKE MANIFOLD</li> <li>B. AIR FILTER</li> </ul> </li> <li>3) IGNITION SYSTEM                             <ul style="list-style-type: none"> <li>A. SPARK PLUGS</li> <li>B. IGNITION COILS / MODULE</li> </ul> </li> </ul> | <ul style="list-style-type: none"> <li>4) AIR INJECTION SYSTEM                             <ul style="list-style-type: none"> <li>A. PULSE AIR VALVE</li> </ul> </li> <li>5) EXHAUST SYSTEM                             <ul style="list-style-type: none"> <li>A. CATALYST</li> <li>B. THERMAL REACTOR</li> <li>C. EXHAUST MANIFOLD</li> </ul> </li> </ul> |
|--|--|

Part 2

# Warranty

## GENERAC POWER SYSTEMS “TWO YEAR” LIMITED WARRANTY FOR IX SERIES PORTABLE GENERATORS

For a period of two years from the date of original sale, Generac Power Systems, Inc. (Generac) warrants its iX Series generators will be free from defects in materials and workmanship for the items and period set forth below. Generac will, at its option, repair or replace any part which, upon examination, inspection and testing by Generac or a Generac Authorized Warranty Service Dealer, is found to be defective. Any equipment that the purchaser/owner claims to be defective must be returned to and examined by the nearest Generac Authorized Warranty Service Dealer. All transportation costs under the warranty, including return to the factory, are to be borne and prepaid by the purchaser/owner. This warranty applies only to Generac iX Series portable generators and is not transferable from original purchaser. Save your proof-of-purchase receipt. If you do not provide proof of the initial purchase date, the manufacturer's shipping date of the product will be used to determine the warranty period.

### WARRANTY SCHEDULE

Consumer applications are warranted for two (2) years. Commercial and Rental applications are warranted for six (6) months.

#### CONSUMER APPLICATION

YEAR ONE - 100% (one hundred percent) coverage on Labor and Part(s) listed (proof of purchase and maintenance is required):

- Engine- All Components
- Alternator- All Components

YEAR TWO - 100% (one hundred percent) coverage on Part(s) listed (proof of purchase and maintenance is required):

- Engine- All Components
- Alternator- All Components

#### COMMERCIAL/RENTAL APPLICATION

FIRST SIX MONTHS – 100% (one hundred percent) coverage on Labor and Part(s) listed (proof of purchase and maintenance is required):

- Engine- All Components
- Alternator- All Components

**NOTE:** For the purpose of this warranty “consumer use” means personal residential household or recreational use by original purchaser. This warranty does not apply to units used for Prime Power in place of utility where utility power service is present or where utility power service does not normally exist. Once a generator has experienced commercial or rental use, it shall thereafter be considered a non-consumer use generator for the purpose of this warranty.

All warranty expense allowances are subject to the conditions defined in Generac's Warranty Policies, Procedures and Flat Rate Manual.

### THIS WARRANTY SHALL NOT APPLY TO THE FOLLOWING:

- Generac portable generators that utilize non-Generac replacement parts.
- Costs of normal maintenance and adjustments.
- Failures caused by any contaminated fuels, oils or lack of proper oil levels.
- Repairs or diagnostics performed by individuals other than Guardian/Generac authorized dealers not authorized in writing by Generac Power Systems.
- Failures due, but not limited, to normal wear and tear, accident, misuse, abuse, negligence or improper use. As with all mechanical devices, the Generac engines need periodic part(s) service and replacement to perform as designed. This warranty will not cover repair when normal use has exhausted the life of a part(s) or engine.
- Failures caused by any act of God and other force majeure events beyond the manufactures control.
- Damage related to rodent and/or insect infestation.
- Products that are modified or altered in a manner not authorized by Generac in writing.
- Any incidental, consequential or indirect damages caused by defects in materials or workmanship, or any delay in repair or replacement of the defective part(s).
- Failure due to misapplication.
- Telephone, cellular phone, facsimile, internet access or other communication expenses.
- Living or travel expenses of person(s) performing service, except as specifically included within the terms of a specific unit warranty period.
- Expenses related to “customer instruction” or troubleshooting where no manufacturing defect is found.
- Rental equipment used while warranty repairs are being performed.
- Overnight freight or special shipping costs for replacement part(s).
- Overtime, holiday or emergency labor.
- Starting batteries, fuses, light bulbs and engine fluids.

THIS WARRANTY IS IN PLACE OF ALL OTHER WARRANTIES, EXPRESSED OR IMPLIED, SPECIFICALLY, GENERAC POWER SYSTEMS MAKES NO OTHER WARRANTIES AS TO THE MERCHANTABILITY OR FITNESS FOR A PARTICULAR PURPOSE. Any implied warranties which are allowed by law, shall be limited in duration to the terms of the express warranty provided herein. Some states do not allow limitations on how long an implied warranty lasts, so the above limitation may not apply to purchaser/owner.

GENERAC POWER SYSTEMS ONLY LIABILITY SHALL BE THE REPAIR OR REPLACEMENT OF PART(S) AS STATED ABOVE. IN NO EVENT SHALL GENERAC POWER SYSTEMS BE LIABLE FOR ANY INCIDENTAL, OR CONSEQUENTIAL DAMAGES, EVEN IF SUCH DAMAGES ARE A DIRECT RESULT OF GENERAC POWER SYSTEMS, INC. NEGLIGENCE. Some states do not allow the exclusion or limitation of incidental or consequential damages, so the above limitations may not apply to purchaser/owner. Purchaser/owner agrees to make no claims against Generac Power Systems, Inc. based on negligence. This warranty gives purchaser/owner specific legal rights. Purchaser/owner also may have other rights that vary from state to state.

**GENERAC POWER SYSTEMS, INC.**

**P.O. BOX 8 • Waukesha, WI 53187**

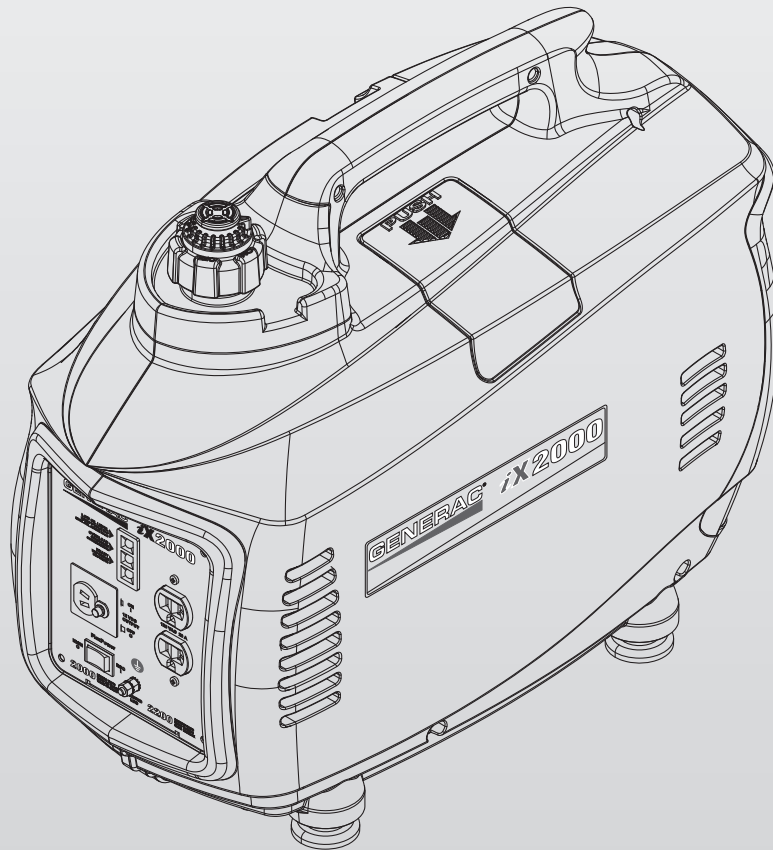
**Ph: (888) GENERAC (436-3722) • Fax: (262) 544-4851**

**To locate the nearest Authorized Dealer visit our website [www.generac.com](http://www.generac.com)**

MODELO: 005793-2

## iX 2000

### Manual del operador del Generador Inversor Digital



# Tabla de contenidos

<b>Caja de accesorios</b> .....	<b>18</b>
<b>Introducción</b> .....	<b>19</b>
<b>Lea este manual completamente</b> .....	<b>19</b>
<b>Reglas de seguridad</b> .....	<b>19</b>
Índice de estándares .....	21
<b>Información General</b> .....	<b>22</b>
Especificaciones .....	22
Información sobre las emisiones .....	22
Identificación de la unidad .....	22
Tablero de control .....	23
<b>Operación</b> .....	<b>23</b>
Revisión antes de usar .....	23
Arranque del generador .....	24
Agregar cargas .....	24
Uso del interruptor FlexPower™ .....	25
Uso del cargador de batería de 12 VCC .....	25
Apagado .....	25
Apagado por bajo nivel de aceite .....	26
Echando combustible al generador .....	26
Para llenar el tanque de combustible .....	26
Agregar aceite de motor .....	26
Para agregar aceite de motor al cárter .....	27
<b>Mantenimiento</b> .....	<b>27</b>
Mantenimiento del generador .....	27
Programa de mantenimiento del generador .....	27
Limpiando el generador .....	28
Mantenimiento del motor .....	28
Cambio de aceite de motor .....	28
Cambio del filtro de combustible .....	28
Cambio de bujía .....	29
Transporte y almacenamiento .....	29
<b>Detección de problemas</b> .....	<b>30</b>
Guía de detección de problemas .....	30
<b>Notas</b> .....	<b>31</b>
<b>Garantía</b> .....	<b>32</b>

## CAJA DE ACCESORIOS

Revise todo el contenido. Si alguna parte no se encuentra o está dañada, ubique a un concesionario autorizado en el telf. 1-888-436-3722.

El contenido incluye:

- 1 botella de aceite SAE 30
- Chimenea de aceite
- Llave de bujías
- Destornillador
- Cable de carga de la batería

## INTRODUCCIÓN

Gracias por comprar este modelo de Generac Power Systems, Inc. Este modelo es un generador impulsado por motor, refrigerado por aire, compacto y de alto rendimiento diseñado para proporcionar energía eléctrica para operar cargas eléctricas donde no haya servicio público de electricidad o en reemplazo de la red eléctrica en caso de apagones.

## LEA ESTE MANUAL COMPLETAMENTE

Si alguna parte de este manual no se entiende bien, póngase en contacto con el concesionario autorizado más cercano para conocer los procedimientos de arranque, operación y servicio.

El operador es responsable del uso apropiado y seguro de este equipo. Recomendamos encarecidamente que el operador lea este manual y entienda completamente todas las instrucciones antes de usar este equipo. Asimismo recomendamos con igual firmeza el instruir a otros usuarios para arrancar y operar apropiadamente la unidad. Esto los prepara si necesitan operar el equipo en alguna emergencia.

El generador puede operar en forma segura, eficiente y confiable sólo si se le ubica, se le opera y mantiene en forma apropiada. Antes de operar o dar servicio al generador:

- Familiarícese y adhiérase estrictamente a todos los códigos y regulaciones locales, estatales y nacionales.
- Estudie todas las advertencias de seguridad en este manual y en el producto con mucho cuidado.
- Familiarícese con este manual y la unidad antes de usarla.

El fabricante no puede anticipar todas las posibles circunstancias que puedan involucrar peligros. Las advertencias en este manual y en las etiquetas y calcomanías fijadas en la unidad son, por tanto, no completamente inclusivas. Si se usa un procedimiento, método de trabajo o técnica de operación que el fabricante no recomienda específicamente, asegúrese de que sea seguro para los demás. Asimismo asegúrese que el procedimiento, método de trabajo o técnica de operación utilizada no vuelva inseguro al generador.

LA INFORMACIÓN CONTENIDA AQUÍ SE BASÓ EN MÁQUINAS EN PRODUCCIÓN AL MOMENTO DE LA PUBLICACIÓN. GENERAC SE RESERVA EL DERECHO DE MODIFICAR ESTE MANUAL EN CUALQUIER MOMENTO.

## REGLAS DE SEGURIDAD

A lo largo de esta publicación, y en lo que respecta a las etiquetas y calcomanías fijadas en el generador, los bloques de PELIGRO, ADVERTENCIA, CUIDADO Y NOTA se usan para alertar al personal sobre instrucciones especiales sobre una operación en particular que puede ser peligrosa si se ejecuta en forma incorrecta o sin cuidado. Obsérvelas con cuidado. Sus definiciones son como sigue:

### PELIGRO

**Indica una situación peligrosa o acción que, si no se evita, traerá como resultado la muerte o un daño serio.**

### ADVERTENCIA

**Indica una situación peligrosa o acción que, si no se evita, puede traer como resultado la muerte o un daño serio.**

## △CUIDADO


**Indica una situación peligrosa o acción que, si no se evita, puede traer como resultado un daño menor o moderado.**

### NOTA:

*Las notas contienen información adicional importante para un procedimiento y se les encontrará dentro del cuerpo de este manual.*

Estas advertencias de seguridad no pueden eliminar los peligros que indican. El sentido común y un estricto cumplimiento de las instrucciones especiales cuando se realiza la acción o servicio son esenciales para evitar accidentes.

Cuatro símbolos de seguridad usados comúnmente acompañan los bloques de **PELIGRO**, **ADVERTENCIA** y **CUIDADO**. El tipo de información que cada uno indica es como sigue:

 **Este símbolo señala importante información de seguridad que, si no se sigue, puede poner en peligro la seguridad personal y/o las propiedades de otros.**

 **Este símbolo indica un peligro potencial de explosión.**

 **Este símbolo indica un peligro potencial de incendio.**

 **Este símbolo indica un peligro potencial de choque eléctrico.**

## PELIGROS GENERALES

- Nunca opere en áreas cerradas o interiores.
- Por razones de seguridad, el fabricante recomienda que el mantenimiento de este equipo sea llevado a cabo por un concesionario autorizado. Inspeccione el generador con regularidad, y póngase en contacto con el concesionario autorizado más cercano si necesita repararlo o conseguir repuestos.
- Opere el generador sólo en superficies planas y donde no esté expuesto a excesiva humedad, suciedad, polvo o vapores corrosivos.
- Mantenga las manos, pies, ropa, etc., lejos de las correas de tracción, ventiladores y otras partes móviles. Nunca retire ninguna protección o escudo de ventilador mientras la unidad esté operando.
- Ciertas partes del generador se calientan en extremo durante la operación. Aléjese del generador hasta que se haya enfriado para evitar quemaduras severas.
- NO opere el generador en la lluvia.
- No altere la construcción del generador ni cambie los controles de modo que puedan crear una condición de operación no segura.

## Instrucciones de seguridad importantes

**! GUARDE ESTAS INSTRUCCIONES – El fabricante sugiere que estas reglas para la operación segura se copien y publiquen cerca del sitio de instalación de la unidad. Debe insistirse en la seguridad para todos los operadores y potenciales operadores de este equipo**

- Nunca arranque o detenga la unidad con cargas eléctricas conectadas a las tomas Y con dispositivos conectados y encendidos. Arranque el motor y deje que se estabilice antes de conectar las cargas eléctricas. Desconecte todas las cargas eléctricas antes de apagar el generador.
- Al trabajar con este equipo, manténgase alerta en todo momento. Nunca trabaje en el equipo cuando esté física o mentalmente fatigado.
- Nunca use el generador ni alguna de sus partes como escalón. Pararse sobre la unidad puede tensar y romper partes, y puede traer como resultado condiciones peligrosas de operación como escape de gases, combustible o aceite.

### PELIGROS DEL ESCAPE Y UBICACIÓN

- **iNunca opere en áreas cerradas o interiores! iNUNCA lo use en el hogar, o en áreas parcialmente cerradas, como garajes, aún si las puertas y ventanas están abiertas! Úselo SÓLO en exteriores y lejos de ventanas abiertas, puertas, ductos de ventilación y en áreas que no acumularán el mortal gas del escape.**

<b>! PELIGRO</b>	
<b>Si usa un generador en interiores, MORIRÁ EN POCOS MINUTOS.</b>	
<b>El escape del generador contiene monóxido de carbono. Es un veneno que no tiene olor ni se puede ver.</b>	
	
<b>NUNCA lo use dentro de una casa o garaje, AUN si las puertas y ventanas están abiertas.</b>	<b>Sólo úselo EN EXTERIORES y lejos de ventanas, puertas y ductos de ventilación.</b>

- Los humos del escape del motor contienen monóxido de carbono, que no se puede oler ni ver. Este gas venenoso, si se aspira en concentraciones suficientes, puede hacerle perder la conciencia y causar la muerte.
- El flujo adecuado y sin obstrucciones de aire para ventilación y refrigeración es crítico para la correcta operación del generador. No altere la instalación ni permita que haya siquiera un bloqueo parcial de la provisión de ventilación, ya que esto puede afectar seriamente la operación segura del generador. El generador DEBE ser operado en exteriores.
- Este sistema de escape debe tener un apropiado mantenimiento. No haga nada que pueda poner en peligro la seguridad del escape o que no cumpla con algún código local o estándar.
- El fabricante recomienda instalar una alarma de monóxido de carbono operada con baterías en los interiores, de acuerdo a las instrucciones del fabricante.
- Si se empieza a sentir mal, enfermo, mareado o débil luego de que el generador haya estado funcionando, muévase al aire fresco INMEDIATAMENTE. Vaya donde un médico, ya que pudiera usted haber sido envenenado con monóxido de carbono.

### PELIGROS ELÉCTRICOS

- El generador produce alto voltaje peligroso durante la operación. Evite el contacto con cables pelados, terminales conexiones, etc. mientras la unidad está funcionando, aún con equipo conectado al generador. Asegúrese que todas las cubiertas, protecciones y barreras apropiadas se encuentren en su lugar antes de operar el generador.
- Nunca manipule ningún cable eléctrico ni dispositivo mientras esté de pie sobre agua, con los pies descalzos o con las manos o pies húmedos. **PUEDA HABER UNA DESCARGA ELÉCTRICA COMO RESULTADO.**
- El Código Eléctrico Nacional (NEC) requiere que el marco y las partes externas que son conductores eléctricos estén conectadas apropiadamente a una conexión a tierra aprobada. Los códigos eléctricos locales pueden asimismo requerir una apropiada conexión a tierra del generador. Consulte con un electricista local los requerimientos de conexión a tierra para su área.
- Use un circuito interruptor de falla de tierra en cualquier área húmeda o altamente conductiva (como estanterías de metal o trabajos en acero).
- No use cables eléctricos gastados, pelados, deshilachados o de algún modo dañados con el generador.
- En caso de un accidente causado por descarga eléctrica, apague inmediatamente la fuente de energía eléctrica. Si esto no es posible, intente liberar a la víctima del conductor vivo. **EVITE EL CONTACTO DIRECTO CON LA VÍCTIMA.** Use un implemento no conductivo, como una soga o una tabla, para liberar a la víctima del conductor vivo. Si la víctima está inconsciente, aplique los primeros auxilios y consiga ayuda médica inmediatamente.

### PELIGROS DE INCENDIO

- **La gasolina es altamente INFLAMABLE y sus vapores son EXPLOSIVOS. No permita que fumen, haga fuegos abiertos, chispas o calor en la vecindad mientras manipula gasolina.**
- **Nunca añada gasolina mientras la unidad está funcionando o está caliente.** Deje enfriar al motor completamente antes de añadir combustible.
- **Nunca llene el tanque de combustible en el interior de la casa.** Cumpla todas las leyes que regulan el almacenamiento y manipulación de gasolina.
- **No sobrecargue el tanque de combustible. Deje siempre espacio para la expansión del combustible.** Si el tanque está sobrecargado, el combustible puede desparramarse sobre el motor caliente y causar un INCENDIO o una EXPLOSIÓN. Nunca almacene el generador con combustible en el tanque donde los vapores de la gasolina pueden alcanzar llamas abiertas, chispas o fuegos piloto (como en una chimenea, calentador de agua o secador de ropa). Puede generarse un INCENDIO o una EXPLOSIÓN. Deje enfriar la unidad completamente antes de almacenarse.
- Limpie cualquier derrame de combustible o aceite inmediatamente. Asegúrese de que no haya materiales combustible dejados sobre o cerca del generador. Mantenga el área alrededor del generador limpia y libre de residuos y conserve una claridad de cinco (5) pies a todos los lados para permitir una ventilación apropiada para el generador.
- No inserte objetos a través de las ranuras de enfriamiento de la unidad.

## Instrucciones de seguridad importantes

- **No** opere el generador si los dispositivos eléctricos conectados sobrecalientan, si la salida eléctrica se pierde, si el motor o el generador bota chispas o se observa humo mientras la unidad está funcionando.
- Tenga un extinguidor cerca al generador en todo momento.

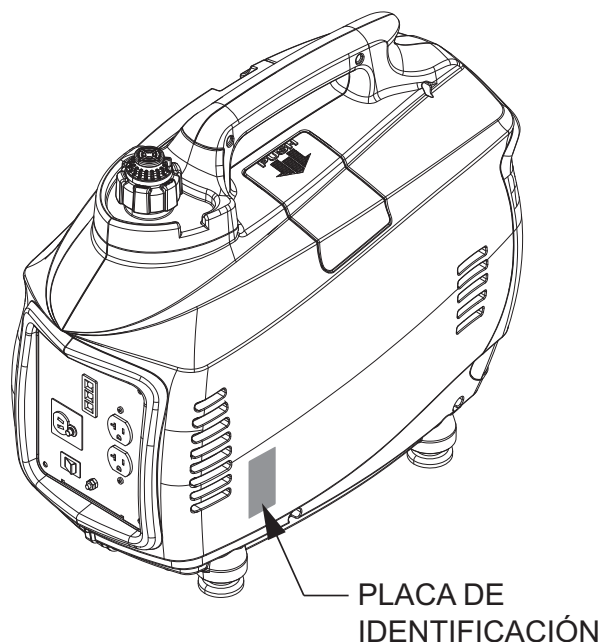
### ÍNDICE DE ESTÁNDARES

En ausencia de los estándares, códigos, regulaciones o leyes pertinentes, la información publicada listada abajo puede usarse como guía para la operación de este equipo. Siempre consulte la revisión más reciente aplicable para el estándar listado.

1. NFPA No. 70, NFPA HANDBOOK OF NATIONAL ELECTRIC CODE.
2. Article X, NATIONAL BUILDING CODE, disponible en la American Insurance Association, 85 John Street, New York, N.Y. 10038.
3. AGRICULTURAL WIRING HANDBOOK, disponible en la Food and Energy Council, 909 University Avenue, Columbia, MO 65201.
4. ASAE EP-3634, INSTALLATION AND MAINTENANCE OF FARM STANDBY ELECTRICAL SYSTEMS, disponible en la American Society of Agricultural Engineers, 2950 Niles Road, St. Joseph, MI 49085.

MODELO N°:	
N° DE SERIE:	

*Figura 1 - Paca de ID del generador*



#### **ADVERTENCIA PROPOSICIÓN 65 DE CALIFORNIA**

El Estado de California sabe que el escape del motor y algunos de sus componentes causan cáncer, defectos de nacimiento y otros daños reproductivos.

#### **ADVERTENCIA PROPOSICIÓN 65 DE CALIFORNIA**

Este producto contiene o emite químicos que el Estado de California sabe que causan cáncer, defectos de nacimiento u otros daños reproductivos.

## ESPECIFICACIONES

Tipo de motor .....	Cilindro único, 4 golpes
Tamaño del motor .....	127cc
Tipo de arrancador .....	Recule
Capacidad y tipo de combustible .....	1.0 Gal (3.8L) sin plomo
Capacidad de aceite .....	0.63 Qt (0.6L)
Tiempo de funcionamiento a plena y media carga .....	2.8/4.7 Horas
Tipo de bujías .....	NGK BPR6ES
Espaciamiento de la bujía .....	.030"
Dimensiones L x W x H (pulg) .....	22 x 12 x 18
Peso Lb/kg .....	49.6/22.5
Máxima salida AC .....	2000W
Salida AC pico .....	2200W
Voltios AC .....	120 VAC
Capacidad de corriente AC .....	16,7 A
Frecuencia .....	60 Hz
THD .....	3.0%
Clase de aislamiento .....	Clase B
Tomas .....	(2) 5-20R, (1) 12 VDC
Voltios CC .....	12 VCC
Capacidad de corriente DC .....	5 A

### NOTA:

La salida de potencia y el tiempo de funcionamiento están influenciados por muchos factores, como por ejemplo la calidad del combustible, la temperatura ambiental y la condición del motor. La salida disminuye aproximadamente 3.5% por cada 1,000 pies sobre el nivel del mar y 1% por cada 10 grados encima de los 60°F.

## INFORMACIÓN SOBRE LAS EMISIONES

La agencia de protección ambiental (EPA) exigen que su generador cumpla con los estándares de emisión de vapores y escapes. Este generador está certificado para cumplir los niveles de emisión de EPA y CARB aplicables. Información adicional respecto a los requerimientos puestos por EPA a continuación:

Es importante que usted siga las especificaciones de mantenimiento proporcionadas en este manual para asegurar que su motor cumple con los estándares de emisión aplicables por la duración de la vida del motor. Este motor está certificado para operar con gasolina. El sistema de control de emisiones de su generador consiste en lo siguiente:

- Sistema de combustible
  - ~ Bomba del combustible
  - ~ Carburador
  - ~ Líneas de combustible
- Sistema de inducción de aire
  - ~ Tubería/distribuidor de entrada
  - ~ Limpiador de aire
- Sistema de ignición
  - ~ Bujías
  - ~ Módulo de ignición

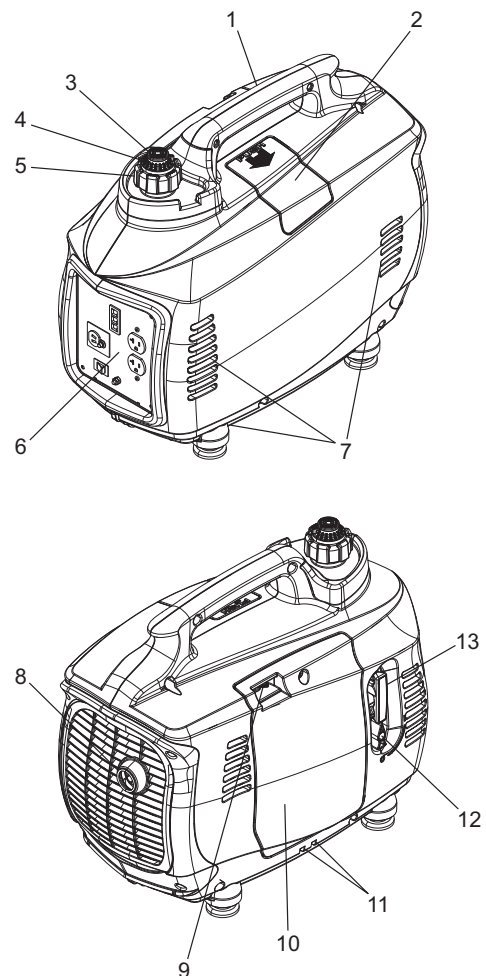
El período de cumplimiento de emisiones mencionado en la etiqueta de cumplimiento de emisiones indica el número de horas de operación para las que el motor ha demostrado cumplir los requerimientos de emisión federales.

## IDENTIFICACIÓN DE LA UNIDAD

### (Figura 2)

1. Manija para transporte: Levante el generador sólo con esta manilla.
2. Cubierta de bujía: Permite el acceso a la bujía del motor.
3. Purga del sistema de combustible: Se usa para purgar el sistema de combustible para el arranque.
4. Válvula de presión de la tapa de combustible: Permite ingresar el aire al tanque de combustible para igualar las presiones.
5. Tapa de tanque de combustible: Acceso al tanque de combustible para el llenado.
6. Panel de control: ubicación de los controles del generador y receptáculos de salida.
7. Tablilla de toma de aire: Permite que el aire ingrese a la carcasa.
8. Silenciador: disminuye el ruido del escape del motor.
9. Choke: Ayuda el arranque del motor frío
10. Cubierta lateral izquierda de servicio: Permite el acceso al filtro de aire, el de combustible y a la toma de aceite.
11. Mangueras de ventilación: Permiten la ventilación del carburador.
12. Cierre de combustible: Controla el suministro del combustible al carburador.
13. Cuerda de arranque: Tire la cuerda para arrancar el motor.

Figura 2 - Identificación de la unidad





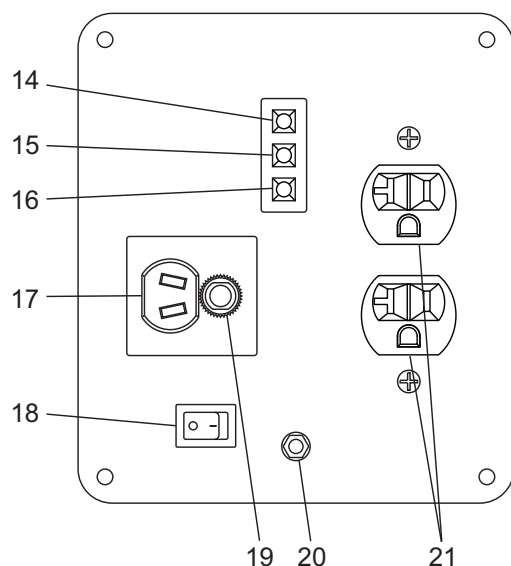
## TABLERO DE CONTROL (Figura 3)

14. BAJO NIVEL DE ACEITE LED (amarillo): Se enciende cuando el nivel de aceite está por debajo del nivel operativo seguro y el motor se apaga.
15. LED DE sobrecarga (rojo): Se enciende si el generador experimenta una carga mayor que la salida nominal, un bajo voltaje, se sobrecalienta o el circuito de alimentación sufre un corto. La salida se detiene aún si el motor continúa funcionando.
16. LED DE Sistema listo (verde): Indica salida del generador a menos que haya alguna condición de bajo nivel de aceite o sobrecarga.
17. Conector de 12 VCC: Conexión para recargar las baterías de tipo automóvil de 12 VCC mientras el generador está en operación.
18. Conmutador FlexPower™ Este interruptor disminuye la velocidad del motor cuando la carga se reduce con el fin de ahorrar combustible y desgaste del motor.
19. Interruptor de circuito de 12 VCC: Protección de sobrecarga para el sistema de carga de 12VCC.
20. Lengüeta de conexión de tierra: Punto de tierra para el generador, consulte los códigos eléctricos locales y estatales antes de usar (tierra flotante).
21. Receptáculos de 120 VAC: Dos (02) receptáculos para conectar accesorios.

### NOTA:

No exceda la salida nominal del generador.

Figura 3 - Panel de control



## REVISIÓN ANTES DE USAR

Antes de arrancar el generador y agregar cargas, realice las siguientes tareas

1. Asegúrese de que el generador se encuentre sobre una superficie firme, nivelada y no combustible con al menos cinco (5) pies de claridad en todos los lados.

### ⚠ PELIGRO

**⚠ Nunca opere en áreas cerradas o interiores! ¡NUNCA lo use en el hogar, o en áreas parcialmente cerradas, como garajes, aún si las puertas y ventanas están abiertas! Úselo SÓLO en exteriores y lejos de ventanas abiertas, puertas, ductos de ventilación y en áreas que no acumularán el mortal gas del escape.**

⚠ PELIGRO	
<p><b>Si usa un generador en interiores, MORIRÁ EN POCOS MINUTOS.</b></p> <p>El escape del generador contiene monóxido de carbono. Es un veneno que no tiene olor ni se puede ver.</p>	
<p><b>NUNCA lo use dentro de una casa o garaje, AUN si las puertas y ventanas están abiertas.</b></p>	<p><b>Sólo úselo EN EXTERIORES y lejos de ventanas, puertas y ductos de ventilación.</b></p>

2. Retire la tapa de combustible y revise el nivel de aceite. Si se necesita combustible, vea la sección "AGREGAR COMBUSTIBLE AL GENERADOR".
3. Retire la cubierta de servicio del lado izquierdo y revise el nivel de aceite retirando la tapa del llenador de aceite. El nivel de aceite deberá estar en la parte de abajo de los hilos del tubo de llenado de aceite. Si se necesita aceite, vea la sección "AGREGAR ACEITE DE MOTOR".
4. Reemplace y asegure la cubierta de servicio lateral izquierda.
5. Asegúrese de que no haya cargas conectadas al generador.
6. El Código Eléctrico Nacional (NEC) requiere que el marco y las partes externas que son conductores eléctricos estén conectadas apropiadamente a una conexión a tierra aprobada. La apropiada conexión a tierra del generador evitará una descarga eléctrica en el caso en que se presente una falla de tierra en el generador o en los dispositivos conectados. Una apropiada conexión a tierra también ayuda a disipar la electricidad estática, que generalmente se acumula en dispositivos sin protección.
7. Los códigos eléctricos locales pueden asimismo requerir una apropiada conexión a tierra del generador.

### ⚠ CUIDADO

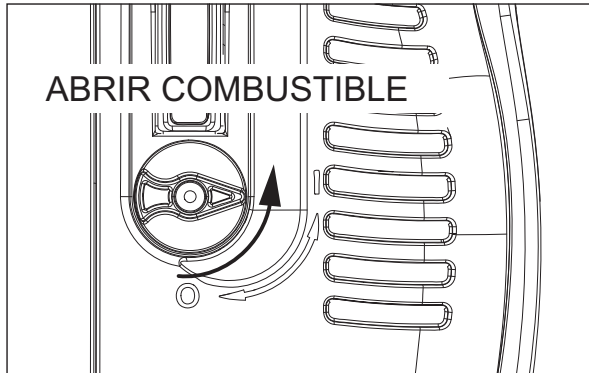
**⚠ Arrancar el generador con accesorios conectados a las salidas de 120 VAC dañará al generador y a los accesorios conectados.**

## ARRANQUE DEL GENERADOR

Una vez que el combustible y los niveles de aceite hayan sido revisados y que se haya verificado que no hay cargas conectadas, el generador puede arrancarse. Apague el interruptor FlexPower (O).

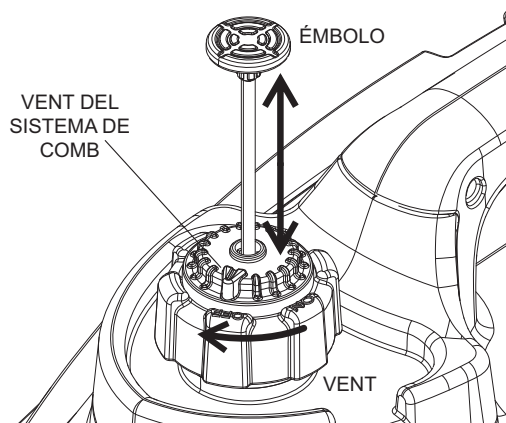
1. Abra la válvula de aceite (Figura 4), ubicada debajo de la cuerda del arrancador, girando la válvula 90° en sentido antihorario a la posición "ON" (I).

**Figura 4 - Válvula de combustible**



2. Tire del centro de la tapa de llenado de combustible y purgue el sistema de combustible presionando el émbolo hasta cinco (5) veces con la ventilación cerrada (Figura 5 en la siguiente página).
3. Abra la ventilación del tanque de combustible encima de la tapa de llenado de combustible girando la parte central a la marca "ON" (encendido) (Figura 6 en la siguiente página).
4. Si el motor está frío o no ha funcionado por algún tiempo, enganche el choke presionando la palanca de choke a la derecha.

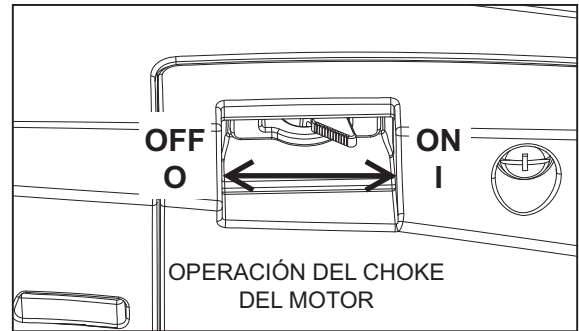
**Figura 5 - Purgar sistema de combustible**



5. Tome el manubrio para el tiro de arranque y coloque su mano contra el generador. Tire la cuerda suavemente hasta que encuentre resistencia, luego tire la cuerda rápidamente.
6. Si el motor no arranca, repita los pasos del 2 al 5 hasta que el motor arranque y empiece a funcionar.
7. Ajuste con cuidado el choke a aproximadamente media posición hasta que el motor empiece a funcionar suavemente, luego presione la palanca del todo hacia la izquierda.

8. Asegúrese de que el fondo del generador no esté bloqueado por arena, hojas, pasto, etc. ya que los ductos de ventilación se encuentran en la parte de abajo de la unidad.

**Figura 6 - Ajuste del Choke**



## AGREGAR CARGAS

Una vez que el generador haya funcionado suavemente por 2 o 3 minutos, se debe agregar las cargas eléctricas.

### ⚠ ADVERTENCIA

**⚠ No use cables eléctricos gastados, pelados, deshilachados o de algún modo dañados con el generador. No manipule ningún tipo de dispositivo eléctrico mientras esté de pie sobre agua, con los pies descalzos o con las manos o pies húmedos.**

1. Existen dos salidas dúplex de 120 VAC conectadas a tierra en el frente del generador.
2. NO sobrecargue el generador; si el LED rojo de "sobrecarga" se enciende y los accesorios conectados al generador dejan de funcionar, detenga el motor y reduzca la carga del generador. Reinicie y reduzca las cargas.
3. Consulte la siguiente tabla para estimar lo que el generador puede alimentar.

Dispositivo .....	Vatios en funcionamiento
*Aire acondicionado (12.000 Btu) .....	1700
*Aire acondicionado (24.000 Btu) .....	3800
*Aire acondicionado (40.000 Btu) .....	6000
Cargador de baterías (20 Amp) .....	500
Lijadora de bandas (3") .....	1000
Sierra eléctrica .....	1200
Sierra circular (6-1/2") .....	de 800 a 1000
*Secadora de ropa (Eléctrica) .....	5750
*Secadora de ropa (a gas) .....	700
*Lavadora de ropa .....	1150
Cafetera .....	1750
*Compresor (1 HP) .....	2000
*Compresor (3/4 HP) .....	1800
*Compresor (1/2 HP) .....	1400
Rizador de pelo .....	700
*Deshumecedor .....	650
Lijadora de disco (9") .....	1200
Cortadora .....	500

Frazada eléctrica .....	400
Pistola eléctrica de clavos .....	1200
Rango eléctrico (por elemento).....	1500
Sartén eléctrica.....	1250
*Congeladora .....	700
*Ventilador de chimenea(3/5 HP) .....	875
*Garaje de apertura automática.....	de 500 a 750
Secador de pelo .....	1200
Taladro de mano .....	de 250 a 1100
Cortador de setos .....	450
Herramienta de impacto .....	500
Plancha .....	1200
* Eyector .....	800
Cortadora de césped.....	1200
Bombilla de luz.....	100
Horno de microondas.....	de 700 a 1000
*Enfriador de leche .....	1100
Quemador de aceite sobre chimenea .....	300
Calentador de chispa de aceite (140.000 Btu).....	400
Calentador de chispa de aceite (85.000 Btu).....	225
Calentador de chispa de aceite (30.000 Btu).....	150
*Pulverizador de pintura, sin aire (1/3 HP).....	600
Pulverizador de pintura, sin aire (de mano) .....	150
Radio .....	de 50 a 200
*Refrigeradora .....	700
Cocina lenta .....	200
*Bomba sumergible (1-1/2 HP).....	2800
*Bomba sumergible (1 HP).....	2000
*Bomba sumergible (1/2 HP).....	1500
*Bomba de desagüe .....	de 800 a 1050
* Calcule 3 veces la potencia de funcionamiento de la lista para arrancar estos dispositivos.	

**NOTA:**

Quando se arranca un motor eléctrico, el LED de "SOBRECARGA" puede encenderse hasta por 5 segundos (esto es normal). Si permanece encendido, ha ocurrido una falla. Retire todas las cargas y apague el generador para reiniciar la alarma. Reinicie el generador. Si el LED de "SOBRECARGA" permanece encendido, pida ayuda al concesionario de Generac.

## USO DEL INTERRUPTOR FLEXPWR™


Quando los accesorios conectados al generador vayan a ser usados en forma intermitente (como un taladro de mano), el interruptor FlexPower™ puede colocarse en la posición "ON" (I). Esto disminuirá la velocidad del motor del generador cuando las cargas no se apliquen, ahorrando combustible, reduciendo el desgaste del motor y extendiendo el tiempo de funcionamiento.


## USO DEL CARGADOR DE BATERÍA DE 12 VCC

El receptáculo de 12 VCC puede usarse sólo para recargar baterías de automóvil de 12 VCC. La salida de CC de carga no está regulada. El protector del circuito no evita la sobrecarga de la batería.

1. Conecte el cable de carga al generador primero, luego la batería, SIEMPRE conectando la punta roja al positivo (+) y la negra al negativo (-).

## ⚠ PELIGRO

 **No permita que fumen, hagan fuego abierto, chispas o cualquier otra fuente de calor alrededor de la batería. Use guantes protectores, gafas y delantal de goma cuando trabaje alrededor de la batería. El fluido electrolítico de la batería es una solución de ácido sulfúrico extremadamente corrosiva que puede causar severas quemaduras. Si ocurre un derrame lave el área con agua limpia inmediatamente.**

 **Las baterías almacenadas sueltan un explosivo gas de hidrógeno al recargarse. Una mezcla explosiva permanecerá alrededor de la batería por largo tiempo luego de que se haya cargado. La más ligera chispa puede encender el hidrógeno y causar una explosión. Una explosión así puede destruir la batería y causar ceguera y otros daños serios.**

 **NUNCA invierta la polaridad al conectar los terminales de la batería al conector de carga. ¡Puede ocurrir un severo daño al generador y a la batería.**

2. Mantenga la posición del interruptor FlexPower™ en la posición "OFF" (O).
3. Arranque el generador y úselo normalmente. El tiempo de carga variará con el tamaño y la condición de la batería. Revise el voltaje en los terminales de la batería una vez que el cable de carga se haya desconectado o el generador se haya apagado.

**NOTA:**


**Este receptáculo no puede recargar baterías de 6 voltios ni tampoco puede usarse para arrancar un motor que tenga la batería descargada.**

## APAGADO

Una vez que el generador no sea necesario, puede apagarse.

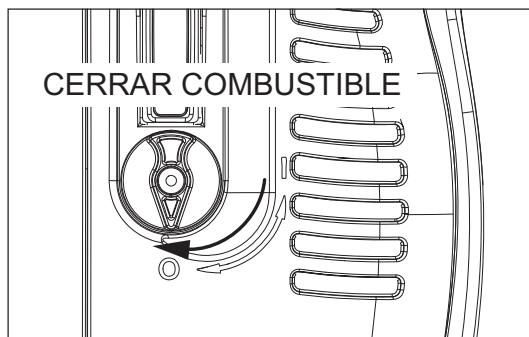
1. Apague todos los accesorios conectados al generador. Desconecte todos los cables que vayan a las salidas dúplex de 120 VAC o el conector de 12 VCC.
2. Gire la válvula de combustible a la posición OFF (O) (figura 7). Un interruptor detrás de la válvula de combustible conecta a tierra el sistema de ignición, deteniendo el motor y cerrando el abastecimiento de combustible.
3. Cierre la ventilación en la tapa de combustible.
4. Deje enfriar el generador antes de moverlo o almacenarlo.

## ⚠ CUIDADO

 **Deje enfriar el generador antes de almacenarlo. Las altas temperaturas estarán presentes en la parte de atrás de la unidad por algún tiempo luego del apagado.**

## Operación

Figura 7 - Cierre de combustible



### APAGADO POR BAJO NIVEL DE ACEITE

Este generador está equipado con un apagado por bajo nivel de aceite. Si el nivel de aceite en el cárter del motor disminuye por debajo de un nivel predeterminado, el motor se detendrá automáticamente y se encenderá un LED DE "BAJO ACEITE".

Retire la cubierta izquierda de servicio y revise el nivel de aceite del motor. Agregue o drene aceite si es necesario, consulte la sección "AGREGAR ACEITE DE MOTOR".

### ENCHANDO COMBUSTIBLE AL GENERADOR

Tenga cuidado al echar combustible al generador. Sólo llene el tanque de combustible cuando el generador se haya enfriado completamente. Use gasolina fresca sin plomo con un número de octanaje (RON) mínimo de 87.

**NOTA:**

No use ninguna gasolina que contenga más de 10% de etanol. **NUNCA** llene el tanque de combustible con E85 o alguna mezcla de aceite y gasolina diseñada para motores de dos ciclos.

### ⚠ PELIGRO

**No encienda cigarrillos o fume cuando esté llenando el tanque de combustible.**

⚠ **La gasolina es altamente INFLAMABLE y sus vapores son EXPLOSIVOS. No permita que fumen, haga fuegos abiertos, chispas o calor en la vecindad mientras manipula gasolina.**

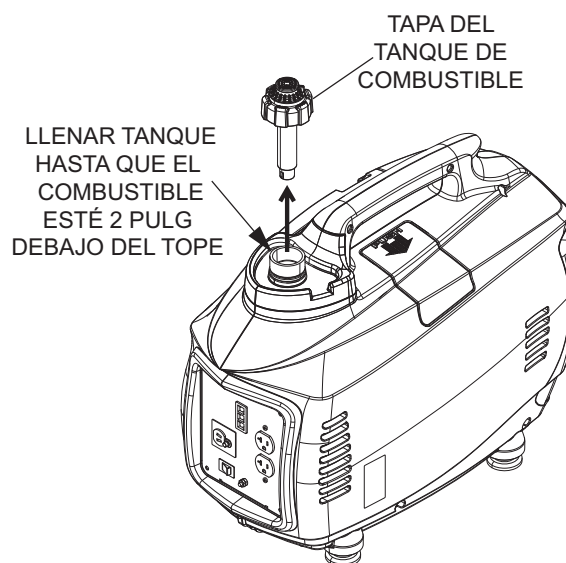
⚠ **Nunca llene el tanque en interiores, nunca llene el tanque con el motor funcionando o caliente. Evite derramar gasolina sobre un motor caliente. Deje enfriar el motor completamente antes de llenar el tanque de combustible.**

⚠ **No sobrecargue el tanque de combustible. Deje siempre espacio para la expansión del combustible. Si el tanque está sobrecargado, el combustible puede desparramarse sobre el motor caliente y causar un INCENDIO o una EXPLOSIÓN. ¡Limpie los derrames de combustible inmediatamente!**

### PARA LLENAR EL TANQUE DE COMBUSTIBLE

1. Retire la tapa del tanque de combustible.

Figura 8 - Tapa del tanque de combustible



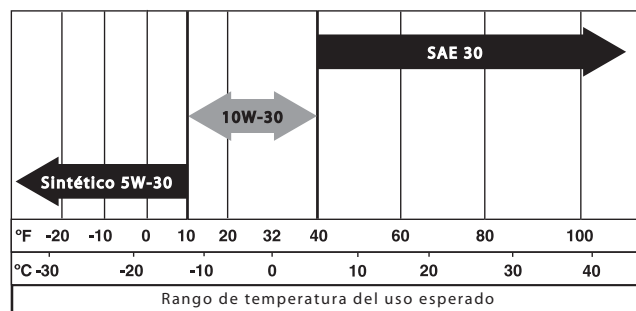
2. Agregue el combustible lentamente, deteniéndose 2 pulgadas debajo de la parte superior del cuello del llenador.
3. Vuelva a colocar la tapa del tanque de combustible. Asegúrese de que la válvula en la tapa de combustible esté en posición OFF.
4. Si el generador se va a arrancar, consulte la sección "ARRANQUE DEL GENERADOR" para indicaciones adicionales sobre el purgado del sistema de combustible.

### AGREGAR ACEITE DE MOTOR

Todo aceite debe cumplir el estándar mínimo de la American Petroleum Institute (API) Service Class SJ, SL o superior. No use ningún aditivo desconocido.

Seleccione el grado de viscosidad del aceite de acuerdo a la temperatura esperada de operación, sólo un poco más de un cuarto es lo que se necesita.

- Por encima de 40° F, use SAE 30
- Por debajo de 40° F y hasta 10° F, use 10W-30
- Por debajo de 10° F, use 5W-30 sintético



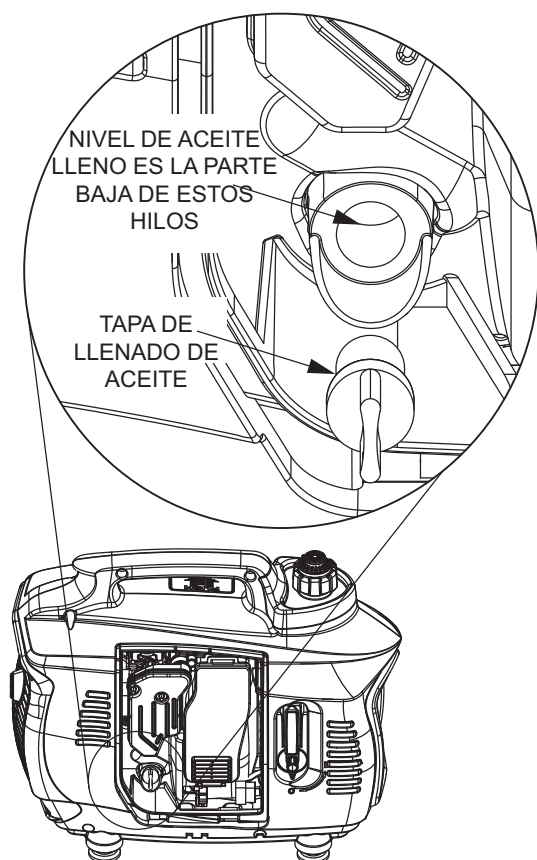
## PARA AGREGAR ACEITE DE MOTOR AL CÁRTER

1. Coloque la unidad sobre una superficie plana y firme.
2. Retire la cubierta izquierda de servicio.
3. Retire la tapa de aceite, ubicadas en la parte inferior del cárter del motor.
4. Agregue el aceite de motor recomendado lentamente, deteniéndose frecuentemente para revisar el nivel. El nivel lleno es la gase de los hilos del cuello del llenador. ¡NO LLENE DEMASIADO!
5. Vuelva a colocar la tapa del llenador de aceite.
6. Siempre revise el nivel de aceite antes de arrancar el motor del generador.

### ⚠ CUIDADO

**⚠ NO llene demasiado el cárter del motor con aceite. Puede traer como resultado una alta presión de aceite, causando un desgaste prematuro y daños al motor.**

Figura 9 - Llenado de aceite



## MANTENIMIENTO DEL GENERADOR

Un cuidado apropiado asegurará un máximo rendimiento de su generador. El mantenimiento del generador consiste en mantener a la unidad limpia y seca. Opere y almacene la unidad en un ambiente limpio y seco donde no esté expuesta a excesivo polvo, suciedad, humedad ni vapores corrosivos.

Las ranuras de aire de enfriamiento en el generador no deberán obstruirse con nieve, hojas ni ningún material extraño.

Revise la limpieza del generador frecuentemente y límpielo cuando el polvo, suciedad, humedad y otras sustancias extrañas sean visibles en su superficie exterior.

### NOTA:

Nunca inserte ningún objeto ni herramienta a través de las ranuras de aire de refrigeración, aún si el motor no está funcionando.

### NOTA:

NO use una manguera de jardín para limpiar el generador. El agua puede ingresar al sistema de combustible del motor y causar problemas. Adicionalmente, si el agua ingresa al generador a través de las ranuras de aire, algo del agua será retenida en vacíos o grietas del aislamiento del bobinado del rotor y estator. La acumulación del agua y el polvo en los bobinados internos del generador eventualmente disminuirán la resistencia de aislamiento de esos bobinados.

## PROGRAMA DE MANTENIMIENTO DEL GENERADOR

Siga el programa de servicio recomendado; para ordenar repuestos llame al 1-888-436-3722.

	C/uso	C/100 hrs	C/6 ms	C/año
Nivel de combustible	X			
Nivel de aceite	X			
Verifique filtro de aire	X			
*Cambie el aceite del motor		X		
**Limpie el filtro de aire		X		
Revise la bujía			X	
Revise el silenciador			X	
Reemplazo de bujías				X
Reemplace el filtro de combustible				X
* Realice un cambio de aceite inicial luego de las primeras cinco (5) horas de operación.				
** Limpie el filtro de aire más seguido si opera en condiciones de polvo y arena. Reemplace si es necesario.				

## LIMPIANDO EL GENERADOR

1. Use un trapo húmedo para limpiar las superficies exteriores.
2. Una escobilla suave de cerdas puede usarse para soltar suciedades pegadas, aceite, etc.
3. Se puede usar una aspiradora para levantar la suciedad suelta y restos.
4. Se puede usar una baja presión de aire (que no exceda las 25 psi) para soplar la suciedad. Inspeccione las ranuras de aire de ventilación y las aberturas del generador. Estas aperturas deben mantenerse limpias y sin obstrucciones.
5. Inspeccione las mangueras de ventilación en el lado izquierdo del generador. Asegúrese de que las mangueras sobresalgan a través de las ranuras debajo de la puerta y que los extremos estén abiertos y libres de residuos.

## MANTENIMIENTO DEL MOTOR

### NOTA:

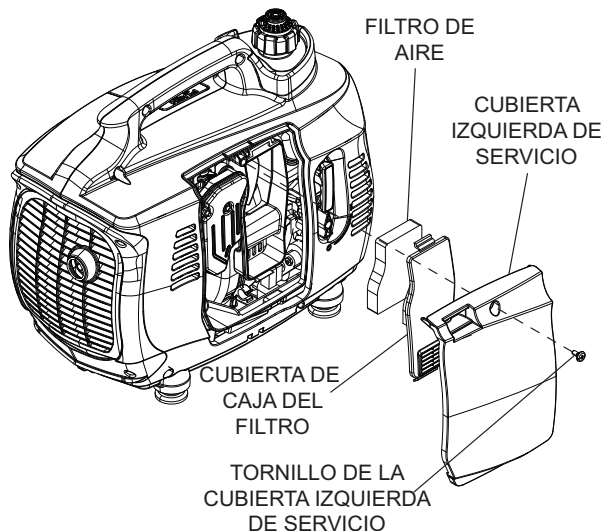
Sólo realice trabajos en el generador cuando esté completamente frío.

Inspeccione el nivel de aceite y la condición del filtro de aire cada vez que vaya usted a usar el generador. Para revisar el filtro de aire y el de aceite se debe retirar la cubierta izquierda de servicio, use un destornillador para soltar los tornillos que aseguran la cubierta y retírela.

El filtro de aire está ubicado detrás de una cubierta para la caja de aire (figura 10). Presione la pestaña en la parte de abajo de la caja de aire hacia arriba para soltar la cubierta. Para dar servicio al limpiador de aire:

1. Retire el limpiador de aire. Dele un golpecito a la unidad para soltar cualquier partícula grande.
2. Lave el elemento en agua jabonosa. Exprima el filtro para secarlo en una tela limpia (NO LO TUERZA).
3. Sumerja el elemento del filtro en aceite de motor limpio. Exprima el exceso de aceite del filtro, dejando una capa ligera.
4. Limpie la caja del limpiador de aire y su cubierta antes de reinstalar el elemento del filtro.

Figura 10 - Filtro de aire



## CAMBIO DE ACEITE DE MOTOR

### ⚠ CUIDADO

**⚠ El aceite caliente puede causar quemaduras. Permita que el motor enfríe completamente antes de drenar el aceite. Evite una exposición prolongada o repetida de la piel con el aceite usado. Lave completamente las áreas expuestas con jabón.**

Cambie el aceite del motor luego de las primeras cinco (5) horas de operación. Cambie el aceite del motor cada 100 horas luego de ello. Para cambiar el aceite del motor:

1. Haga funcionar el generador brevemente para calentar el aceite del motor, esto también suelta cualquier depósito en el motor y hace fluir más fácilmente el aceite usado.

### ⚠ CUIDADO

**⚠ Cambie el aceite sólo cuando el tanque de combustible está bajo o casi vacío. Inclinarse el generador con un tanque lleno puede causar un derrame de combustible.**

2. Coloque el generador sobre un recipiente de drenaje y retire la tapa de drenaje. Inclínelo el generador a su lado para drenar el aceite usado del cárter.

### NOTA:

Para facilitar el drenaje del aceite, se puede colocar una manguera de vinilo (PVC) de 6" de longitud con diámetro interior de 1.25" (32mm) sobre el labio de drenaje.

3. Enderece nuevamente el generador cuando haya terminado de drenar el aceite. Reemplace el aceite del motor con el grado apropiado según la sección "AGREGAR ACEITE DE MOTOR", luego vuelva a colocar la tapa.

## CAMBIO DEL FILTRO DE COMBUSTIBLE

Ubique el filtro de aceite, justo debajo de la manguera de toma del motor (figura 11). Asegúrese de que el cierre de combustible se encuentre en la posición OFF (O).

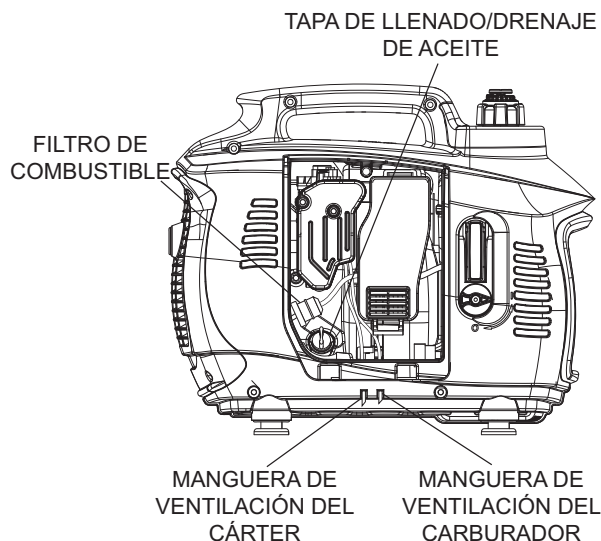
1. Retire las abrazaderas que aseguran el filtro de combustible. Libere las mangueras.

### ⚠ ADVERTENCIA

**⚠ Limpie inmediatamente todo derrame de combustible! ¡No fume ni reemplace el filtro de combustible cerca de chispas ni fuego abierto!**

2. Reemplace el filtro usado con uno nuevo. Presione las mangueras de combustible sobre los accesorios dentados del filtro hasta que se asiente completamente.
3. Vuelva a colocar las abrazaderas, asegurándose de que se asienten en los accesorios.

**Figura 11 - Filtro de combustible**

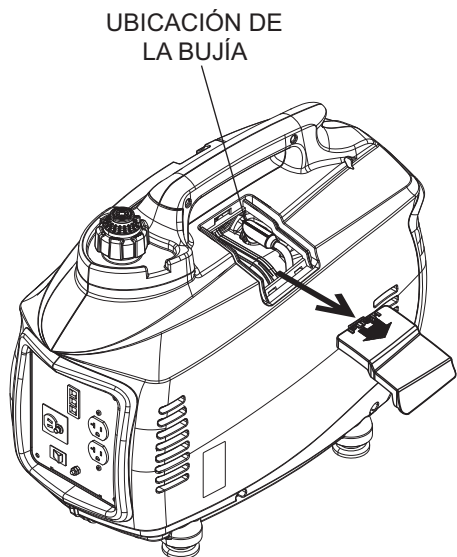


## CAMBIO DE BUJIA

Reemplace la bujía cada año, sin importar cuántas horas ha funcionado el generador. Use un NGK BPR6ES con un espaciado de .030" (.76mm). Para reemplazar la bujía:

1. Saque la cubierta de la bujía en la parte superior derecha del generador, justo debajo del manubrio (figura 12).
2. Tire con cuidado la punta de la bujía. Use una llave de dado para sacar la bujía.
3. Instale la nueva bujía en la cabeza del cilindro. Ajuste la bujía a 15 pies/libra.
4. Vuelva a colocar la punta de la bujía, asegurándose que esté bien colocada.
5. Vuelva a colocar la cubierta de la bujía.

**Figura 12 - Reemplazo de la bujía**



## TRANSPORTE Y ALMACENAMIENTO

Transporte o almacene el generador sólo si está completamente frío. Asegúrese de que la válvula de combustible y el respiradero de la tapa de combustible estén en posición OFF (0).

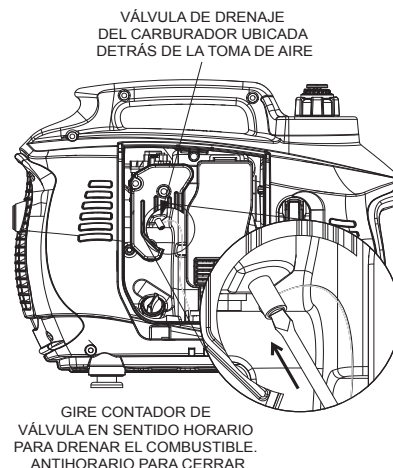
Es importante evitar que se formen depósitos de goma en las partes esenciales del sistema de combustible como el carburador, la manguera de combustible o el tanque durante el almacenamiento a largo plazo. Asimismo, la experiencia indica que los combustibles mezclados con alcoholes (llamados gasohol, etanol o metanol) pueden atraer la humedad, lo que llega a la separación y formación de ácidos, que pueden dañar el sistema de combustible del motor durante el almacenamiento.

Para evitar problemas con el motor, se recomienda el uso de un estabilizador comercial de combustible antes del almacenamiento. Siga las instrucciones del fabricante al añadir el estabilizador de combustible.

Si el generador se va a guardar por más de 6 meses, deberá prepararse lo siguiente:

1. Retire toda la gasolina del tanque de combustible.
2. Arranque y haga funcionar el motor hasta que se detenga por falta de combustible o abra la válvula en el tazón del carburador (Figura 13) y deje que la gasolina drene hacia abajo por el tubo a un recipiente. Descarte en forma apropiada. Asegúrese de cerrar la válvula una vez que la gasolina ha drenado.

**Figura 13 - Válvula de drenaje del carburador**



3. Mientras el motor esté aun caliente, drene el aceite del cárter. Rellene con el grado recomendado.
4. Retire las bujías y llene alrededor de 1/2 onza (15 ml) de aceite de motor en los cilindros. Cubra el agujero de la bujía con un trapo. Tire la cuerda de arranque varias veces para cubrir las paredes del cilindro con aceite de motor.
5. Instale y ajuste la bujía.
6. Limpie las otras superficies del generador. Revise que las aberturas y ranuras de aire de ventilación en el generador estén abiertas y sin obstrucciones.
7. Almacene la unidad en un lugar limpio y seco.

No almacene gasolina de una estación a otra.

Si fuera posible, almacene la unidad en interiores y cúbrala para protegerla del polvo y la suciedad.

## DetECCIÓN de problemas

### GUÍA DE DETECCIÓN DE PROBLEMAS

PROBLEMA	CAUSA	ACCIÓN CORRECTIVA
El motor no arranca	<ol style="list-style-type: none"> <li>1. No hay combustible en el tanque.</li> <li>2. Válvula de combustible cerrada</li> <li>3. Bujía defectuosa</li> <li>4. Filtro de combustible conectado.</li> <li>5. Interruptor de parada de motor atascado o defectuoso.</li> </ol>	<ol style="list-style-type: none"> <li>1. Añada combustible al tanque.</li> <li>2. Abra la válvula de combustible.</li> <li>3. Reemplace la bujía.</li> <li>4. Reemplace el filtro de combustible.</li> <li>5. Reemplace el interruptor de arranque del motor.</li> </ol>
El motor se enciende, luego se apaga.	<ol style="list-style-type: none"> <li>1. Bajo nivel de combustible.</li> <li>2. Respiradero de tanque de combustible cerrado.</li> <li>3. Incorrecto nivel de aceite de motor.</li> <li>4. Combustible contaminado.</li> <li>5. Interruptor de nivel de aceite defectuoso.</li> <li>6. Bobina de arranque defectuosa.</li> </ol>	<ol style="list-style-type: none"> <li>1. Añada combustible al tanque.</li> <li>2. Abra el respiradero del tanque de combustible.</li> <li>3. Revise el nivel de aceite del motor, añada o drene según sea necesario.</li> <li>4. Reemplace el filtro de combustible.</li> <li>5. Reemplace el interruptor de nivel de aceite defectuoso.</li> <li>6. Reemplace la bobina de arranque.</li> </ol>
El motor arranda, pero funciona con ruido.	<ol style="list-style-type: none"> <li>1. El choke está atascado o se ha dejado encendido.</li> <li>2. Filtro de aire sucio o atorado.</li> <li>3. Bujía sucia o defectuosa.</li> <li>4. Filtro de combustible sucio.</li> <li>5. Interruptor FlexPower defectuoso.</li> </ol>	<ol style="list-style-type: none"> <li>1. Cierre el choke.</li> <li>2. Limpie o reemplace el elemento del filtro de aire.</li> <li>3. Reemplace la bujía.</li> <li>4. Reemplace el filtro de combustible.</li> <li>5. Reemplace el interruptor FlexPower</li> </ol>
No hay salida AC.	<ol style="list-style-type: none"> <li>1. El generador está sobrecargado (el LED DE SOBRECARGA está encendido).</li> <li>2. El voltaje de AC es bajo (el LED DE SOBRECARGA está encendido).</li> <li>3. El módulo inversor está muy caliente (el LED DE SOBRECARGA está encendido).</li> <li>4. Cortocircuito en la carga (el LED DE SOBRECARGA está encendido).</li> <li>5. Unidad inversora defectuosa.</li> </ol>	<ol style="list-style-type: none"> <li>1. Apague el generador para reiniciar el módulo. Reduzca las cargas y reinicie el generador.</li> <li>2. Verifique que el ventilador esté abierto y el choke en OFF.</li> <li>3. Verifique que la puerta de servicio esté en ON. Deje enfriar por 15 minutos y reinicie el generador.</li> <li>4. Verifique la condición de cualquier cable de extensión y todas las cargas que se alimentarán.</li> <li>5. Reemplace la unidad inversora.</li> </ol>
No ha salida CC. **	<ol style="list-style-type: none"> <li>1. El interruptor de circuito CC está abierto.</li> <li>2. Interruptor de circuito CC defectuoso.</li> <li>3. Rectificador defectuoso.</li> </ol>	<ol style="list-style-type: none"> <li>1. Reinicie el interruptor de circuito CC.</li> <li>2. Reemplace el interruptor de circuito DC.</li> <li>3. Reemplace el rectificador.</li> </ol>
Fugas de combustible desde las mangueras de drenaje.	<ol style="list-style-type: none"> <li>1. Sistema de combustible demasiado purgado (inundado).</li> <li>2. Drenaje del carburador en un tazón no se ha cerrado.</li> </ol>	<ol style="list-style-type: none"> <li>1. Coloque en ON la ventilación de la tapa y deje que se asiente el generador por 15 minutos antes de reiniciarlo.</li> <li>2. Gire la válvula en sentido horario para cerrarla.</li> </ol>

\* La velocidad del motor se incrementa y disminuye — Esto es normal ya que el generador arranca y las cargas varían.

\*\* Verifique que el interruptor FlexPower esté en la posición de apagado "O" OFF.





## DECLARACIÓN DE GARANTÍA DE CONTROL DE EMISIONES SUS DERECHOS Y OBLIGACIONES DE GARANTÍA

La Agencia de protección ambiental de los Estados Unidos (EPA) y Generac Power Systems, Inc. (Generac) se complacen en explicar la garantía del sistema de control de emisiones para su nuevo equipo del año 2008 o posterior. equipo nuevo que use motores pequeños de chispa deben estar diseñados, construidos y equipados para cumplir estándares anti-smog muy exigentes para el gobierno federal. Generac garantizará los sistemas de emisión en su motor por el periodo de tiempo listado abajo siempre que no haya abuso, negligencia, modificación o mantenimiento inapropiado de su equipo.

Su sistema de control de emisión puede incluir partes como: carburador, sistema de ignición, sistema de combustible, convertidor catalítico, y otros componentes asociados relacionados a la emisión (si los tuviera).

### COBERTURA DE LA GARANTÍA DEL FABRICANTE:

Este sistema de control de emisión está garantizado por dos años. Si durante este periodo de garantía se encuentra que cualquier parte relacionada a las emisiones está defectuosa en materiales o mano de obra, se efectuará las reparaciones o el intercambio por parte de un concesionario de servicio autorizado de Generac.

### RESPONSABILIDADES DE GARANTÍA DEL PROPIETARIO:

Como propietario del generador, usted es responsable de completar todos los mantenimientos requeridos tal como se lista en el manual del propietario proporcionado por la fábrica. Para propósitos de garantía, Generac recomienda que usted conserve todos los recibos que cubren el mantenimiento de su generador, pero Generac no puede rehusar la garantía sólo debido a la falta de recibos.

Como propietario del generador, usted deberá ser consciente de que Generac puede negar cualquier y/o todas las coberturas y responsabilidades de la garantía si su generador, o una parte o componente del mismo, ha fallado debido al abuso, negligencia, mantenimiento inapropiado o modificaciones no aprobadas, o el uso de repuestos falsos o del mercado negro no fabricados, suministrados o aprobados por Generac.

**Usted es responsable de contactar a un concesionario autorizado de garantía de Generac tan pronto se presente el problema. Las reparaciones de garantía deberán completarse en un tiempo razonable, sin exceder los 30 días.**

El servicio de garantía puede arreglarse contactando ya sea a su concesionario de venta o a un concesionario de servicio de garantía autorizado de Generac. Para ubicar al concesionario de servicio de garantía autorizado de Generac más cercano a usted, llame a nuestro número gratuito.

**1-800-333-1322**

**NOTA IMPORTANTE:** Esta declaración de garantía explica sus derechos y obligaciones bajo la Garantía del sistema de control de emisiones (ECS Warranty), que Generac le proporciona Generac siguiendo las leyes federales. También vea "Garantías limitadas de Generac para los sistemas de potencia de Generac, Inc." que se adjunta a este manual en una hoja separada, también proporcionada a usted por Generac. Tenga en cuenta que esta garantía no se aplicará a ningún daño incidental, consecuencial o indirecto causado por defectos en los materiales y mano de obra, o cualquier retraso en reparar o reemplazar las partes defectuosas. Esta garantía reemplaza a todas las otras garantías, expresas o implícitas. Específicamente, Generac no ofrece otras garantías como de mercantilidad o adecuación a un uso particular. Algunos estados no permiten limitaciones en cuánto dura una garantía implícita, de modo que la limitación expresada arriba puede no aplicarse a usted.

La garantía ECS se aplica sólo al sistema de control de emisiones de su nuevo equipo. Si hay algún conflicto en términos entre la garantía ECS y la garantía de Generac, se aplicará la de Generac. Ambas garantías describen derechos y obligaciones importantes respecto a su nuevo motor.

El servicio de garantía puede ser realizado sólo por un servicio de garantía autorizado de Generac. Cuando se requiera servicio de garantía, se debe presentar evidencia que muestre la fecha de venta al comprador/propietario original.

Si usted tuviera alguna pregunta respecto a sus derechos y responsabilidades de garantía, deberá ponerse en contacto con Generac en la siguiente dirección:

**ATENCIÓN DEPARTAMENTO DE GARANTÍAS  
GENERAC POWER SYSTEMS, INC.  
P.O. BOX 297 • WHITEWATER, WI 53190**

**GARANTÍA DEL SISTEMA DE CONTROL DE EMISIONES**

Garantía de sistema de control de emisiones (garantía ECS) para equipo que usa motores pequeños de chispa.

- (a) Aplicabilidad: Esta garantía se aplica a equipo que utiliza motores pequeños para fuera de pista. El periodo de garantía ECS empezará en la fecha en que el equipo nuevo es comprado por o entregado a su propietario/comprador final original y continuará por los siguientes 24 meses consecutivos.
- (b) Cobertura general de la garantía de emisiones: Generac garantiza al propietario/comprador final original del motor o equipamiento nuevo y a cada subsiguiente comprador/propietario que el ECS cuando se instaló estuvo:
  - (1) Diseñado, construido y equipado para cumplir con todas las regulaciones aplicables; y
  - (2) Libre de defectos en materiales y mano de obra que cause la falla de una parte garantizada en cualquier momento durante el periodo de garantía ECS.
- (c) La garantía sobre partes relacionadas a la emisión se interpretarán como sigue:
  - (1) Cualquier parte garantizada que no esté programada para reemplazo como mantenimiento requerido en el Manual del propietario será garantizada en el periodo de garantía ECS. Si fallara cualquier parte durante el periodo de garantía ECS, deberá ser reparado o reemplazado por Generac de acuerdo a la Subsección (4) más abajo. Cualquier parte así reparada o reemplazada bajo la garantía ECS deberá ser garantizada por el resto del periodo de garantía ECS.
  - (2) Cualquier parte garantizada que esté programada sólo para inspección regular como se especifica en el Manual del propietario será garantizada en el periodo de garantía ECS. Una declaración en el manual del propietario a efecto de “reparar o reemplazar según sea necesario” no reducirá el periodo de garantía ECS. Cualquier parte así reparada o reemplazada bajo la garantía ECS deberá ser garantizada por el resto del periodo de garantía ECS.
  - (3) Cualquier parte garantizada que esté programada para reemplazo según lo requiera el mantenimiento en el Manual del Propietario deberá ser garantizado por el periodo de tiempo antes del primer punto de reemplazo programado para esa parte. Si la parte falla antes del primer reemplazo programado, la parte será reparada o reemplazada por Generac de acuerdo a la Subsección (4) más abajo. Cualquier parte relacionada a las emisiones así reparada o reemplazada bajo la garantía ECS será garantizada por el resto del periodo antes del primer punto de reemplazo programado para aquella parte.
  - (4) La reparación o reemplazo de cualquier parte garantizada relacionada a las emisiones bajo esta garantía ECS deberá realizarse sin costo alguno para el propietario en un centro de servicio de garantía autorizado por Generac.
  - (5) No obstante las disposiciones de la subsección (4) arriba indicadas, los servicios o reparaciones por garantía deben ser proporcionados en una instalación de servicio autorizada por Generac.
  - (6) Cuando el motor sea inspeccionado por un centro de servicio de garantía autorizado de Generac, el propietario/comprador no será responsable de los costos de diagnóstico si la reparación se considera dentro de la garantía.
  - (7) A lo largo del periodo de garantía ECS, Generac mantendrá un suministro de partes garantizadas relacionadas a las emisiones suficiente para cumplir la demanda esperada para tales repuestos.
  - (8) Cualquier repuesto relacionado a la emisión autorizado y aprobado por Generac puede usarse en la ejecución de cualquier reparación o mantenimiento de garantía ECS y se proporcionará sin costo al comprador/propietario. Dicho uso no reducirá las obligaciones de garantía ECS de Generac.
  - (9) Los repuestos no aprobados, añadidos, modificados, falsos y/o del mercado negro no se pueden usar para modificar o reparar un motor Generac. Dicho uso invalida esta garantía ECS y será base suficiente para no aceptar un reclamo por garantía ECS. Generac no podrá ser declarado responsable por fallas de cualquier parte garantizada de un equipo Generac causadas por el uso de tales repuestos no aprobados, añadidos, modificados, falsos y/o del mercado negro.

**LAS PARTES RELACIONADAS A LA EMISIÓN PUEDEN INCLUIR LO SIGUIENTE (SI SE TIENE):**

- |   |   |
|---|---|
| <ul style="list-style-type: none"> <li>1) SISTEMA DE MEDICIÓN DE COMBUSTIBLE                             <ul style="list-style-type: none"> <li>A. CARBURADOR Y PARTES INTERNAS</li> <li>B. REGULADOR DE PRESIÓN</li> </ul> </li> <li>2) SISTEMA DE INDUCCIÓN DE AIRE                             <ul style="list-style-type: none"> <li>A. DISTRIBUIDOR DE ENTRADA</li> <li>B. FILTRO DE AIRE</li> </ul> </li> <li>3) SISTEMA DE IGNICIÓN                             <ul style="list-style-type: none"> <li>A. BUJÍAS</li> <li>B. BOBINAS/MÓDULO DE IGNICIÓN</li> </ul> </li> </ul> | <ul style="list-style-type: none"> <li>4) SISTEMA DE INYECCIÓN DE AIRE                             <ul style="list-style-type: none"> <li>A. VÁLVULA DE AIRE DE PULSO</li> </ul> </li> <li>5) SISTEMA DE ESCAPE                             <ul style="list-style-type: none"> <li>A. CATALIZADOR</li> <li>B. REACTOR TÉRMICO</li> <li>C. DISTRIBUIDOR DE ESCAPE</li> </ul> </li> </ul> |
|---|---|

## GARANTÍA LIMITADA DE “DOS AÑOS” DE SISTEMAS DE POTENCIA GENERAC PARA GENERADORES PORTÁTILES SERIE IX

Por un periodo de dos años desde la fecha de la venta original, Generac Power Systems, Inc. (Generac) garantiza sus generadores serie IX como libres de defectos en materiales y mano de obra por los ítems y periodos indicados abajo. Generac, a su opción, reparará o reemplazará cualquier parte que, luego de un examen, inspección y pruebas realizadas por un concesionario de servicio de garantía autorizado de Generac, se encuentre que está defectuoso. Cualquier equipo que el comprador/propietario reclame como defectuoso debe ser regresado a y examinado por el concesionario de servicio de garantía autorizado por Generac más cercano. Todos los costos de transporte bajo la garantía, incluyendo el retorno a la fábrica, serán por cuenta y prepagados por el propietario/comprador. Esta garantía se aplica sólo a los generadores portátiles serie IX de Generac y no es transferible del propietario original. Guarde su comprobante de compra. Si usted no proporciona una prueba de la fecha de la compra inicial, se usará la fecha de embarque del producto del fabricante para determinar el periodo de garantía.

### PROGRAMACIÓN DE GARANTÍA

Las aplicaciones para consumidor están garantizadas por (2) años. Las aplicaciones comerciales y de alquiler se garantizan por (6) meses.

#### APLICACIÓN PARA CONSUMIDOR

AÑO UNO - 100% (cien por ciento) de cobertura en mano de obra y repuestos listados (se requiere comprobante de compra y mantenimiento):

- Motor- Todos los componentes
- Alternador- Todos los componentes

AÑO DOS - 100% (cien por ciento) de cobertura en repuestos listados (se requiere comprobante de compra y mantenimiento):

- Motor- Todos los componentes
- Alternador- Todos los componentes

#### APLICACIÓN COMERCIAL / DE ALQUILER

PRIMEROS SEIS MESES – 100% (cien por ciento) de cobertura en mano de obra y repuestos listados (se requiere comprobante de compra y mantenimiento):

- Motor- Todos los componentes
- Alternador- Todos los componentes

**NOTA:** Para el propósito de esta garantía “uso de consumidor” significa uso personal en casa residencial o recreacional por el comprador original. La garantía no aplica a unidades usadas para Fuente Primaria de Energía en lugar del servicio público donde el servicio público se encuentre presente o donde el servicio público de energía no exista normalmente. Una vez que el generador ha experimentado uso comercial o de alquiler, se le considerará en adelante un generador no para uso del consumidor para propósitos de esta garantía.

Toda prestación de gastos de garantía está sujeta a las condiciones definidas en las políticas de garantía de Generac, sus procedimientos y el manual de costos medios.

### ESTA GARANTÍA NO SE APLICARÁ A LO SIGUIENTE:

- Generadores portátiles de Generac que utilizan repuestos que no son de Generac.
- Costos de mantenimiento normal y ajustes.
- Fallas causadas por combustibles o aceites contaminados, o la falta de niveles apropiados.
- Reparaciones o diagnósticos realizados por individuos diferentes a los concesionarios autorizados por Guardian/Generac que no estén autorizados por escrito por Generac Power Systems.
- Fallas debido a, pero no limitándose a, el uso y desgaste normal, accidente, mal uso, abuso, negligencia o uso inapropiado. Como todo dispositivo mecánico, los motores Generac necesitan servicio y repuestos periódicamente para funcionar como están diseñados. Esta garantía no cubre reparaciones cuando el uso normal ha agotado la vida útil de una parte o motor.
- Las fallas causadas por cualquier acto de Dios y otros eventos de fuerza mayor más allá del control del fabricante.
- El daño relacionado a roedores y/o plaga de insectos.
- Los productos que son modificados o alterados de manera no autorizada por Generac por escrito.
- Cualquier daño incidental, consecuencial o indirecto causado por defectos en los materiales y mano de obra, o cualquier retraso en reparar o reemplazar las partes defectuosas.
- Falla debido a una mala aplicación.
- Gastos de teléfono, teléfono celular, fax, acceso a internet u otros gastos de comunicación.
- Costo de vida o gastos de viaje de las personas que realizan el servicio, excepto tal como específicamente se incluya dentro de los términos del periodo de garantía de una unidad específica.
- Gastos relacionados a “instrucciones del cliente” o detección de problemas donde no se encuentre defecto de fábrica.
- Equipo de alquiler usado mientras se realiza las reparaciones de garantía.
- Flete de un día para otro o costos especiales de embarque para los repuestos.
- Sobre tiempos, vacaciones o trabajo de emergencia.
- Baterías de arranque, fusibles, bombillos de luz y fluidos de motor.

ESTA GARANTÍA REEMPLAZA CUALQUIER OTRA GARANTÍA, EXPRESA O IMPLÍCITA, ESPECÍFICAMENTE, GENERAC POWER SYSTEMS NO OTORGA OTRAS GARANTÍAS COMO DE MERCANTIBILIDAD O ADECUACIÓN PARA UN PROPÓSITO PARTICULAR. Cualquier garantía implícita que sea permitida por ley, estará limitada en duración a los términos de la garantía expresa dispuesta aquí. Algunos estados no permiten limitaciones en cuánto dura una garantía implícita, de modo que la limitación expresada arriba puede no aplicarse al comprador/propietario.

LA ÚNICA RESPONSABILIDAD DE GENERAC POWER SYSTEMS SERÁ LA REPARACIÓN O REEMPLAZO DE LAS PARTES TAL COMO SE ESPECIFICA ARRIBA. EN NINGÚN CASO GENERAC POWER SYSTEMS SERÁ RESPONSABLE POR CUALQUIER DAÑO INCIDENTAL O CONSECUCIONAL, AÚN SI TALES DAÑOS SEAN UN RESULTADO DIRECTO DE UNA NEGLIGENCIA DE GENERAC POWER SYSTEMS. Algunos estados no permiten la exclusión o limitación de daños incidentales o consecuenciales, así que las limitaciones indicadas arriba pueden no aplicarse al comprador/propietario. El comprador/propietario está de acuerdo en no hacer reclamos contra Generac Power Systems basados en negligencia. Esta garantía le da al comprador/propietario derechos legales específicos. El comprador/propietario también puede tener otros derechos que varían de estado a estado.

**GENERAC POWER SYSTEMS, INC.**

**P.O. BOX 8 • Waukesha, WI 53187**

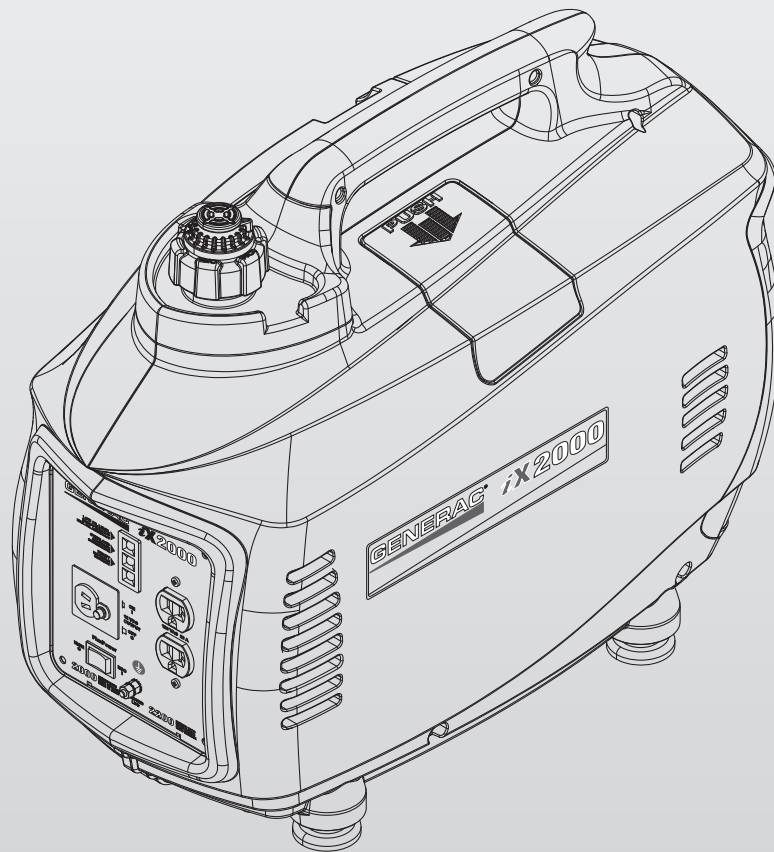
**Tel: (888) GENERAC (436-3722) • Fax: (262) 544-4851**

**Para ubicar al concesionario autorizado más cercano visite nuestro sitio web: [www.generac.com](http://www.generac.com)**

MODÈLE : 005793-2

## iX 2000

### Manuel d'utilisation du générateur inverseur numérique



# Table des matières

<b>Boîte d'accessoires</b> .....	<b>36</b>
<b>Introduction</b> .....	<b>37</b>
<b>Lire attentivement ce manuel</b> .....	<b>37</b>
<b>Règles de sécurité</b> .....	<b>37</b>
Index des normes.....	39
<b>Informations générales</b> .....	<b>40</b>
Caractéristiques techniques .....	40
Informations relative aux émissions.....	40
Identification de l'unité.....	40
Panneau de commande.....	41
<b>Fonctionnement</b> .....	<b>41</b>
Vérification avant utilisation.....	41
Démarrage du générateur.....	42
Ajout de charges.....	42
Utilisation de l'interrupteur FlexPower™ .....	43
Utilisation du chargeur de batterie 12 VCC.....	43
Système d'arrêt.....	43
Système d'arrêt de bas niveau d'huile.....	44
Ravitaillement du générateur .....	44
Remplir le réservoir d'essence.....	44
Ajout de l'huile de moteur.....	44
Ajouter de l'huile de moteur dans le carter.....	45
<b>Maintenance</b> .....	<b>45</b>
Maintenance du générateur .....	45
Programme de maintenance du générateur.....	45
Nettoyage du générateur .....	45
Maintenance du moteur.....	46
Changement de l'huile du moteur .....	46
Changement du filtre à carburant.....	46
Changement des bougies d'allumage.....	47
Transport et stockage .....	47
<b>Dépannage</b> .....	<b>48</b>
Guide de dépannage .....	48
<b>Remarques</b> .....	<b>49</b>
<b>Garantie</b> .....	<b>52</b>

## BOÎTE D'ACCESSOIRES

Vérifier le contenu de la boîte. Si des pièces sont absentes ou endommagées, merci de localiser un dépositaire agréé au 1-888-436-3722.

La boîte contient :

- 1 bidon d'huile SAE 30
- Entonnoir à huile
- Clé à bougie d'allumage
- Tournevis
- Câble de chargeur de batterie

## INTRODUCTION

Nous vous remercions d'avoir acheté ce modèle fabriqué par Generac Power Systems, Inc. Ce modèle est un générateur entraîné par moteur compact, à haute performance, refroidi à l'air, conçu pour fournir l'alimentation électrique afin de faire fonctionner les charges électriques lorsqu'aucun réseau électrique n'est disponible ou à la place du réseau en raison d'une coupure de courant.

## LIRE ATTENTIVEMENT CE MANUEL

En cas d'incompréhension d'une partie de ce manuel, contacter le dépositaire agréé le plus proche pour connaître les procédures de démarrage, de fonctionnement et d'entretien.

L'opérateur est responsable de l'utilisation correcte et sûre de l'équipement. Nous recommandons fortement à l'opérateur de lire ce manuel et de comprendre complètement toutes les instructions avant d'utiliser l'équipement. Nous recommandons également fortement d'apprendre à d'autres utilisateurs comment correctement démarrer et faire fonctionner l'unité. Cela les prépare au cas où ils auraient besoin de faire fonctionner l'équipement pour une urgence.

Le générateur peut fonctionner en toute sécurité, de façon efficace et de façon fiable uniquement s'il est correctement installé, utilisé et entretenu. Avant de faire fonctionner ou d'effectuer l'entretien du générateur :

- Se familiariser avec et respecter strictement tous les codes et réglementations locaux, d'État et nationaux.
- Lire attentivement tous les avertissements de sécurité figurant dans ce manuel et sur le produit.
- Se familiariser avec ce manuel et l'unité avant de l'utiliser.

Le fabricant ne peut pas anticiper toutes les situations possibles qui peuvent impliquer un danger. Les avertissements de ce manuel et figurant sur les étiquettes et les autocollants apposés sur l'unité ne sont, toutefois, pas exhaustifs. Si vous suivez une procédure, une méthode de travail ou une technique de fonctionnement que le fabricant ne recommande pas en particulier, assurez-vous qu'elle est sans danger pour les autres. S'assurer que la procédure, la méthode de travail ou la technique de fonctionnement choisie ne rende pas le générateur dangereux.

LES INFORMATIONS CONTENUES DANS LE PRÉSENT MANUEL SE BASENT SUR LES MACHINES EN PRODUCTION AU MOMENT DE LA PUBLICATION. GENERAC SE RÉSERVE LE DROIT DE MODIFIER CE MANUEL À TOUT MOMENT.

## RÈGLES DE SÉCURITÉ

Dans tout ce manuel, et sur les étiquettes et sur les autocollants apposés sur le générateur, les blocs DANGER, AVERTISSEMENT, ATTENTION et REMARQUE servent à alerter le personnel d'instructions spéciales au sujet d'une opération spécifique qui peut s'avérer dangereuse si elle n'est pas effectuée correctement ou avec précaution. Les respecter attentivement. Leurs définitions sont les suivantes :

### **DANGER!**

**Indique une situation ou une action dangereuse qui, si elle n'est pas évitée, entraînera la mort ou des blessures graves.**

### **AVERTISSEMENT!**

**Indique une situation ou une action dangereuse qui, si elle n'est pas évitée, entraînera la mort ou des blessures graves.**

### **ATTENTION!**


**Indique une situation ou une action dangereuse qui, si elle n'est pas évitée, entraînera des blessures légères ou modérées.**

### **REMARQUE :**

**Les remarques contiennent des informations supplémentaires importantes relatives à une procédure et se trouvent dans le corps de texte régulier de ce manuel.**

Ces avertissements de sécurité ne peuvent pas éliminer les dangers qu'ils signalent. Le sens commun et le respect strict des instructions spéciales lors de l'action ou l'entretien sont essentiels pour éviter les accidents.

Quatre symboles de sécurité couramment utilisés accompagnent les blocs **DANGER**, **AVERTISSEMENT** et **ATTENTION**. Chacun indique le type d'informations suivant :

 **Ce symbole indique des informations importantes relatives à la sécurité qui, si elles ne sont pas suivies, pourraient mettre en danger la sécurité personnelle et/ou les biens des autres.**

 **Ce symbole indique un risque potentiel d'explosion.**

 **Ce symbole indique un risque potentiel d'incendie.**

 **Ce symbole indique un risque potentiel d'électrocution.**

## **DANGERS GÉNÉRAUX**

- Ne jamais faire fonctionner dans un espace clos ou à l'intérieur.
- Pour des raisons de sécurité, le fabricant recommande que la maintenance de cet équipement soit effectuée par un dépositaire agréé. Inspecter régulièrement le générateur et contacter le dépositaire agréé le plus proche pour les pièces qui nécessitent une réparation ou un remplacement.
- Faire fonctionner le générateur uniquement sur des surfaces de niveau et où il ne sera pas exposé à l'humidité, aux saletés, à la poussière ou aux vapeurs corrosives excessives.
- Tenir les mains, les pieds, les vêtements, etc., à distance des courroies de transmission, des ventilateurs et d'autres pièces mobiles. Ne jamais retirer tout protège-ventilateur pendant que l'unité fonctionne.
- Certaines pièces du générateur deviennent extrêmement chaudes pendant le fonctionnement. Rester à distance du générateur tant qu'il n'a pas refroidi afin d'éviter des brûlures graves.
- NE PAS faire fonctionner le générateur sous la pluie.
- Ne pas modifier la construction du générateur ni les commandes, ce qui pourrait créer une condition de fonctionnement dangereuse.
- Ne jamais démarrer ou arrêter l'unité avec les charges électriques branchées aux prises ET avec des dispositifs branchés sous tension. Démarrer le moteur et le laisser se stabiliser avant de brancher les charges électriques. Débrancher toutes les charges électriques avant d'arrêter le générateur.

## Consignes de sécurité importantes

**! CONSERVER CES CONSIGNES – Le fabricant recommande que ces règles relatives au fonctionnement sûr soient copiées et affichées à proximité du site d'installation de l'unité. Tous les opérateurs et opérateurs potentiels de cet équipement doivent prendre conscience de la question de la sécurité.**

- Lors du travail sur cet équipement, conserver l'alerte à tout moment. Ne jamais travailler sur l'équipement en cas de fatigue physique ou mentale.
- Ne jamais utiliser le générateur ou n'importe laquelle de ses pièces comme marche. Monter sur l'unité peut écraser et casser les pièces, et peut entraîner des conditions de fonctionnement dangereuses suite à une fuite de gaz d'échappement, une fuite de carburant, une fuite d'huile, etc.

### **DANGERS D'ÉCHAPPEMENT ET D'EMPLACEMENT**

- **Ne jamais faire fonctionner dans un espace clos ou à l'intérieur. NE JAMAIS utiliser à l'intérieur ou dans des espaces partiellement clos tels que les garages, même si les portes et les fenêtres sont ouvertes ! Utiliser UNIQUEMENT à l'extérieur et loin des fenêtres, portes ouvertes, ventilations, et dans un espace dans lequel le gaz d'échappement ne s'accumulera pas de façon mortelle.**

<b>⚠ DANGER</b>	
<b>Utiliser un générateur à l'intérieur PEUT VOUS TUER EN QUELQUES MINUTES.</b> Les gaz d'échappement du générateur contiennent du monoxyde de carbone. C'est un gaz toxique invisible et inodore.	
 <b>NE JAMAIS</b> utiliser à l'intérieur d'une maison ou d'un garage, <b>MÊME SI</b> les portes et les fenêtres sont ouvertes.	 <b>Utiliser UNIQUEMENT à l'EXTÉRIEUR</b> et loin des fenêtres, portes et ventilations.

- Les fumées d'échappement du moteur contiennent du monoxyde de carbone, un gaz toxique invisible et inodore. Ce gaz toxique, s'il est respiré en concentrations suffisantes, peut entraîner une perte de conscience ou même la mort.
- Un débit approprié, non obstrué d'air de refroidissement et de ventilation est important pour corriger le fonctionnement du générateur. Ne pas modifier l'installation ou ne pas laisser même un blocage partiel de l'alimentation de ventilation, étant donné que cela peut sérieusement affecter le fonctionnement sûr du générateur. Il FAUT faire fonctionner le générateur à l'extérieur.
- Ce système d'échappement doit être correctement entretenu. Ne rien faire qui pourrait rendre le système d'échappement dangereux ou non conforme aux codes locaux et/ou normes locales.
- Le fabricant recommande d'installer un détecteur d'oxyde de carbone à alimentation par batterie à l'intérieur, conformément aux instructions du fabricant.
- Si vous commencez à vous sentir mal, étourdi ou faible suite au fonctionnement du générateur, éloignez-vous et respirez de l'air frais IMMÉDIATEMENT. Consultez un médecin, car vous avez peut-être été victime d'une intoxication due au monoxyde de carbone.

### **DANGERS ÉLECTRIQUES**

- Le générateur produit une tension dangereusement haute pendant son fonctionnement. Éviter le contact avec les fils nus, les bornes, les branchements, etc., pendant le fonctionnement de l'unité, même sur l'équipement branché au générateur. S'assurer que tous les couvercles, les dispositifs de protection et les barrières sont en place avant de faire fonctionner le générateur.
- Ne jamais manipuler tout type de cordon ou de dispositif électrique qui est dans l'eau, alors que vous êtes pieds nus ou que vos mains ou vos pieds sont mouillés. **CELA ENTRAÎNERA UN RISQUE D'ÉLECTROCUTION.**
- Le National Electric Code (Code électrique national) exige que le bâti et que les pièces externes électriquement conductrices du générateur soient correctement reliés à une terre approuvée. Les codes électriques locaux peuvent également exiger la bonne mise à la terre du générateur. Consulter un électricien local pour connaître les exigences de mise à la terre dans la région.
- Utiliser un disjoncteur de fuite à la terre dans toute zone humide ou très conductrice (telle que le carter protecteur métallique ou l'aciérie).
- Ne pas utiliser de cordons électriques usés, nus, effilochés ou autrement endommagés avec le générateur.
- En cas d'accident causé par électrocution, couper immédiatement la source d'alimentation électrique. Si cela est impossible, essayer de libérer la victime du conducteur sous tension. **ÉVITER TOUT CONTACT DIRECT AVEC LA VICTIME.** Utiliser un objet non conducteur, comme une corde ou une planche, pour libérer la victime du conducteur sous tension. Si la victime est inconsciente, assurer les premiers secours et demander une aide médicale immédiate.

### **RISQUES D'INCENDIE**

- **L'essence est extrêmement INFLAMMABLE et ses vapeurs sont EXPLOSIVES. Ne pas produire de fumée, flammes nues, étincelles ou chaleur à proximité de l'endroit où l'essence est manipulée.**
- **Ne jamais ajouter de carburant lorsque l'unité fonctionne ou est chaude.** Laisser le moteur complètement refroidir avant d'ajouter du carburant.
- **Ne jamais remplir le réservoir d'essence à l'intérieur.** Respecter toutes les lois réglementant le stockage et la manipulation de l'essence.
- **Ne pas trop remplir le réservoir d'essence. Toujours laisser de la place pour l'expansion du carburant.** En cas de suremplissage du réservoir, le carburant peut déborder sur un moteur chaud et entraîner un INCENDIE ou une EXPLOSION. Ne jamais stocker le générateur avec le réservoir rempli de carburant étant donné que les vapeurs d'essence pourraient atteindre une flamme ouverte, des étincelles ou une veilleuse (comme il y en a sur une chaudière, un chauffe-eau ou sur un sèche-linge). Cela peut entraîner un INCENDIE ou une EXPLOSION. Laisser l'unité complètement refroidir avant le stockage.
- Nettoyer immédiatement toute éclaboussure de carburant ou d'huile. S'assurer qu'aucune matière combustible ne reste sur ou à proximité du générateur. Garder l'espace environnant du générateur propre et sans débris et garder un jeu de cinq (5) pieds sur tous les côtés afin de permettre une aération adaptée du générateur.

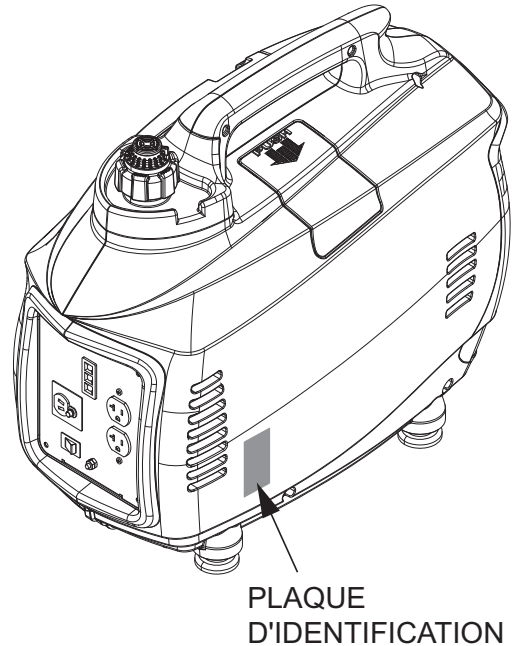


## Consignes de sécurité importantes

- Ne pas insérer d'objet dans les fentes de refroidissement de l'unité.
- **Ne pas** faire fonctionner le générateur si des dispositifs électriques branchés surchauffent ; si la puissance électrique est perdue ; si le moteur ou le générateur fait des étincelles ; si des flammes ou de la fumée sont détectées alors que l'unité fonctionne.
- Garder un extincteur à proximité du générateur à tout moment.

N° DE MODÈLE :	
N° DE SÉRIE :	

*Schéma 1 - Plaque d'identité du générateur*



### **INDEX DES NORMES**

En l'absence de normes, codes, réglementations et lois applicables, les informations publiées indiquées ci-dessous peuvent servir de directive pour le fonctionnement de cet équipement. Toujours se reporter à la dernière révision disponible pour les normes indiquées.

1. NFPA N° 70, NFPA HANDBOOK OF NATIONAL ELECTRIC CODE (Manuel NFPA du code électrique national).
2. Article X, NATIONAL BUILDING CODE (Code de construction national), disponible auprès de l'American Insurance Association, 85 John Street, New York, N.Y. 10038.
3. AGRICULTURAL WIRING HANDBOOK (Manuel de câblage agricole), disponible auprès du Food and Energy Council, 909 University Avenue, Columbia, MO 65201.
4. ASAE EP-3634, INSTALLATION AND MAINTENANCE OF FARM STANDBY ELECTRICAL SYSTEMS (Installation et maintenance des systèmes électriques de secours pour les fermes), disponible auprès de l'American Society of Agricultural Engineers, 2950 Niles Road, St. Joseph, MI 49085.

#### **AVERTISSEMENT PROPOSITION 65 CALIFORNIE**

L'échappement du moteur et certains de ses constituants sont susceptibles selon l'État de Californie d'entraîner des cancers, des malformations congénitales ou pouvant être nocifs pour le système reproductif.

#### **AVERTISSEMENT PROPOSITION 65 CALIFORNIE**

Ce produit contient ou émet des produits chimiques susceptibles selon l'État de Californie d'entraîner des cancers, des malformations congénitales ou autres maladies pouvant être nocives pour le système reproductif.

## CARACTÉRISTIQUES TECHNIQUES

Type de moteur	Un cylindre, 4 temps
Taille du moteur	127 cc
Type de démarreur	Lanceur à rappel
Capacité / type de carburant	1 gal (3,8 l) / sans plomb
Capacité d'huile	0,63 Qt (0,6 l)
Temps de fonctionnement plein / à moitié chargé	2,8/4,7 heures
Type de bougie d'allumage	NGK BPR6ES
Écartement de bougie d'allumage	0,030"
Dimensions L x l x h (pouces)	22 x 12 x 18
Poids livre/kg	49,6/22,5
Sortie CA maximum	2000 W
Sortie CA de surtension	2200 W
Volts CA	120 VCA
Courant nominal CA	16,7 A
Fréquence	60 Hz
DHT	3,0 %
Classe d'isolement	Classe B
Sorties	(2) 5-20R, (1) 12 VCC
Volts CC	12 VCC
Courant nominal CC	5 A

### REMARQUE :

La puissance de sortie et le temps de fonctionnement sont influencés par de nombreux facteurs, notamment la qualité du carburant, la température ambiante et l'état du moteur. La puissance de sortie diminue d'environ 3,5 % pour chaque tranche de 1 000 pieds au-dessus du niveau de la mer et de 1 % pour chaque tranche de 6 °C (10 °F) degrés au-dessus de 16 °C (60 °F).

## INFORMATIONS RELATIVES AUX ÉMISSIONS

L'Agence pour la protection de l'environnement (EPA) exige que votre générateur soit conforme aux normes en matière d'émission d'échappement. Le générateur est certifié comme respectant tous les niveaux d'émission d'échappement EPA applicables. Pour plus d'informations relatives aux exigences établies par l'EPA, lire ce qui suit :

Il est impératif de respecter les spécifications de maintenance indiquées dans ce manuel afin de s'assurer que votre moteur est conforme aux normes applicables en matière d'émission pendant la durée de vie du moteur. Ce moteur est certifié comme fonctionnant à l'essence. Le système de contrôle des émissions de votre générateur est composé des éléments suivants :

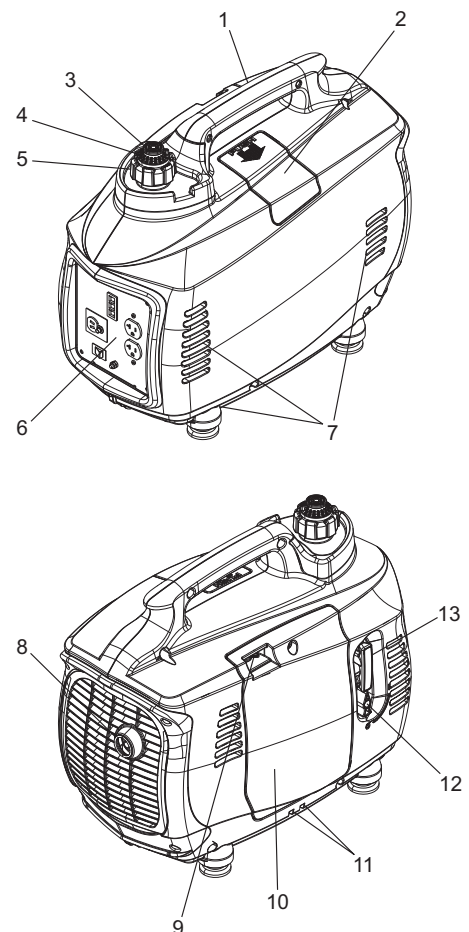
- Système de dosage du carburant
  - ~ Carburateur
  - ~ Pompe à carburant
  - ~ Tuyaux de carburant
- Système d'allumage
  - ~ Bougie d'allumage
  - ~ Module d'allumage
- Système d'induction d'air
  - ~ Pipe / collecteur d'admission
  - ~ Filtre à air

La période de conformité des émissions à laquelle il est fait référence sur l'étiquette de conformité des émissions indique le nombre d'heures de fonctionnement pendant lesquelles le moteur a prouvé respecter les exigences fédérales en matière d'émission.

## IDENTIFICATION DE L'UNITÉ (Schéma 2)

- Poignée de transport : soulevez le générateur uniquement à l'aide de cette poignée.
- Couvercle de la bougie d'allumage : permet d'accéder à la bougie d'allumage du moteur.
- Amorce du système de carburant : utilisée pour amorcer le système de carburant afin qu'il démarre.
- Soupape de pression du bouchon du réservoir d'essence : permet à l'air de pénétrer dans le réservoir d'essence afin d'équilibrer la pression.
- Bouchon du réservoir d'essence : accès au réservoir d'essence pour le remplissage.
- Panneau de commande : emplacement des commandes du générateur et des prises de courant.
- Orifices d'admission d'air : permettent à l'air de refroidissement d'entrer dans le boîtier.
- Pot d'échappement : réduit le bruit d'échappement du moteur.
- Étrangleur : système de démarrage à froid du moteur
- Couvercle de service gauche : permet d'accéder au filtre à air, au filtre à carburant et à l'orifice de remplissage d'huile.
- Tuyaux de ventilation : les tuyaux permettent la ventilation du carburateur.
- Soupape d'arrêt : contrôle l'alimentation en carburant du carburateur.
- Ficelle du démarreur : tirez la ficelle pour démarrer le moteur.

Schéma 2 - Identification de l'unité



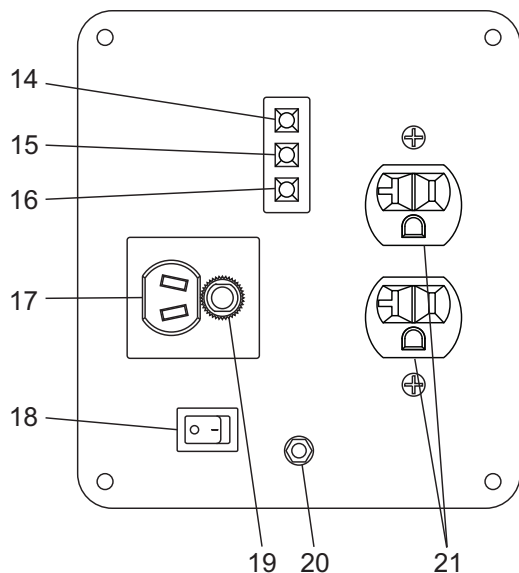
## PANNEAU DE COMMANDE (Schéma 3)

14. DEL DE BAS NIVEAU D'HUILE (jaune) : s'allume lorsque le niveau d'huile se trouve sous le niveau de fonctionnement de sécurité et le moteur s'arrête.
15. DEL de surcharge (rouge) : s'allume si le générateur connaît une surcharge supérieure à la puissance nominale, une basse tension, des surchauffes ou que le circuit alimenté subit un court-circuit. La puissance de sortie est interrompue même si le moteur continue à tourner.
16. DEL indiquant que le système est prêt (verte) : Indique la puissance de sortie du générateur sauf en cas de bas niveau d'huile ou de condition de surcharge.
17. Prise 12 VCC : connexion pour recharger les batteries d'automobiles 12 VCC pendant que le générateur est en marche.
18. Interrupteur FlexPower™ : cet interrupteur ralentit la vitesse du moteur lorsque la charge est réduite pour économiser du carburant et empêcher l'usure du moteur.
19. Disjoncteur 12 VCC : protection contre les surcharges pour le système de charge 12 VCC.
20. Barrette de prise de terre : prise de masse du générateur ; consulter les codes électriques nationaux et locaux avant l'utilisation (mise à la terre séparée de signal et de circuit).
21. Prises 120 VCA : deux (2) prises pour brancher des accessoires.

### REMARQUE :

Ne pas dépasser la puissance nominale du générateur.

Schéma 3 - Panneau de commande



## VÉRIFICATION AVANT UTILISATION

Avant de démarrer le générateur et d'ajouter les charges, effectuer les tâches suivantes :

1. S'assurer que le générateur se trouve sur une surface ferme, plane et non combustible, avec au moins un espace de cinq (5) pieds sur tous les côtés.

## ⚠ DANGER!

⚠ **Ne jamais faire fonctionner dans un espace clos ou à l'intérieur. NE JAMAIS utiliser à l'intérieur ou dans des espaces partiellement clos tels que les garages, même si les portes et les fenêtres sont ouvertes ! Utiliser UNIQUEMENT à l'extérieur et loin des fenêtres, portes ouvertes, ventilations, et dans un espace dans lequel le gaz d'échappement ne s'accumulera pas de façon mortelle.**

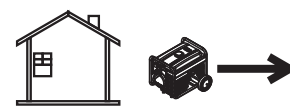
## ⚠ DANGER

**Utiliser un générateur à l'intérieur PEUT VOUS TUER EN QUELQUES MINUTES.**

Les gaz d'échappement du générateur contiennent du monoxyde de carbone. C'est un gaz toxique invisible et inodore.



**NE JAMAIS utiliser à l'intérieur d'une maison ou d'un garage, MÊME SI les portes et les fenêtres sont ouvertes.**



**Utiliser UNIQUEMENT à l'EXTÉRIEUR et loin des fenêtres, portes et ventilations.**

2. Retirer le bouchon du réservoir d'essence et vérifier le niveau de carburant. Si du carburant est nécessaire, consulter la section « RAVITAILLEMENT DU GÉNÉRATEUR ».
3. Retirer le couvercle de service gauche et vérifier le niveau d'huile en retirant le bouchon de remplissage d'huile. Le niveau d'huile doit se situer au niveau du fond des filets du tuyau de remplissage d'huile. Si du carburant est nécessaire, consulter la section « AJOUT DE L'HUILE DE MOTEUR ».
4. Remplacer et fixer le couvercle de service gauche.
5. S'assurer qu'aucune charge n'est connectée au générateur.
6. Le National Electric Code (Code électrique national) exige que le bâti et que les pièces externes électriquement conductrices du générateur soient correctement reliés à une terre approuvée. La bonne mise à la terre du générateur empêchera une électrocution en cas de condition de défaut de mise à la terre dans le générateur ou dans les dispositifs électriques branchés. La bonne mise à la terre aide également à dissiper l'électricité statique, qui s'accumule souvent dans les dispositifs non protégés.
7. Les codes électriques locaux peuvent également exiger la bonne mise à la terre du générateur.

## ⚠ ATTENTION!

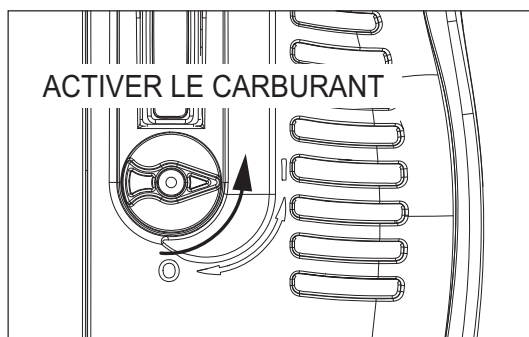
⚠ **Démarrer le générateur avec des accessoires connectés aux prises 120 VCA endommagera le générateur et les accessoires branchés.**

## DÉMARRAGE DU GÉNÉRATEUR

Une fois les niveaux de carburant et d'huile vérifiés et après avoir contrôlé qu'aucune charge n'est connectée, le générateur peut être démarré. Actionnez l'interrupteur FlexPower (0).

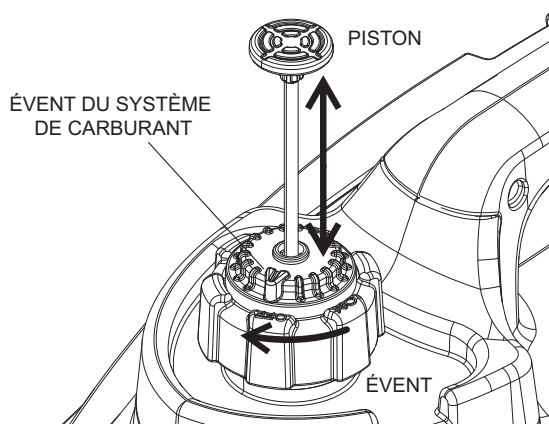
1. Ouvrez la vanne de combustible (Schéma 4), située sous la ficelle de démarrage, en tournant la soupape de 90° dans le sens contraire des aiguilles d'une montre vers la position « MARCHÉ » (I).
2. Tirer sur le centre du bouchon de remplissage de carburant et amorcer le système de carburant en abaissant le piston jusqu'à cinq (5) fois, avec l'évent fermé (Schéma 5 de la page suivante).

**Schéma 4 - Vanne de combustible**

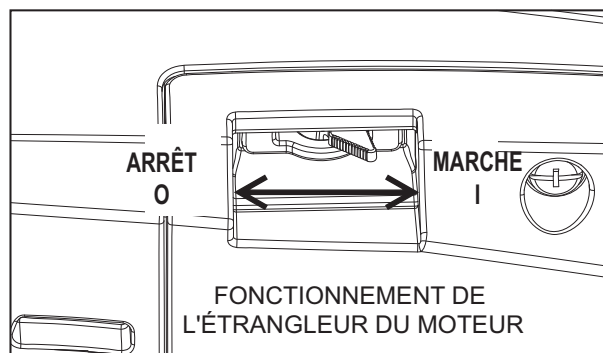


3. Ouvrir l'évent du réservoir d'essence situé au-dessus du bouchon de remplissage du carburant en tournant la partie centrale vers l'indication « ON » (Schéma 6 de la page suivante).
4. Si le moteur est froid ou s'il n'a pas tourné depuis un certain temps, actionner l'étrangleur en poussant le levier de l'étrangleur vers la droite.
5. Saisir la poignée du démarreur et tenir le générateur avec l'autre main. Tirer la ficelle doucement jusqu'à ce que de la résistance se fasse sentir, puis tirer sur la ficelle rapidement.
6. Si le moteur ne démarre pas, répéter les étapes 2 à 5 jusqu'à ce que le moteur démarre et commence à tourner.
7. Régler minutieusement l'étrangleur à la mi-position environ jusqu'à ce que le moteur commence à tourner de manière régulière, puis pousser le levier complètement à gauche (Schéma 6).
8. S'assurer que le fond du générateur n'est pas bloqué par du sable, des feuilles, de l'herbe, etc. étant donné que les événements de refroidissement sont situés au fond de l'unité.

**Schéma 5 - Amorçage du système de carburant**



**Schéma 6 - Réglage de l'étrangleur**



## AJOUT DE CHARGES

Une fois que le générateur fonctionne correctement pendant 2-3 minutes, les charges électriques peuvent être ajoutées.

### ⚠ AVERTISSEMENT !

**⚡ Ne pas utiliser de cordons électriques usés, nus, effilochés ou autrement endommagés avec le générateur. Ne jamais manipuler tout type de dispositif électrique qui est dans l'eau, alors que vous êtes pieds nus ou que vos mains ou vos pieds sont mouillés.**

1. Deux prises doubles 120 VCA mises à la terre se trouvent sur la face avant du générateur.
2. NE PAS surcharger le générateur ; si la DEL de « surcharge » rouge s'allume et que les accessoires raccordés au générateur arrêtent de fonctionner, arrêter le moteur et réduire la charge du générateur. Redémarrer et appliquer des charges réduites.
3. Consulter le tableau suivant pour évaluer ce qui peut être alimenté par le générateur.

### Dispositif ..... Watts de fonctionnement

*Climatiseur (12 000 Btu) .....	1 700
*Climatiseur (24 000 Btu) .....	3 800
*Climatiseur (40 000 Btu) .....	6 000
Chargeur de batterie (20 A) .....	500
Ponceuse à bande (3 po.) .....	1 000
Scie à chaîne .....	1 200
Scie circulaire (6,5 po.) .....	800 à 1 000
*Sèche-linge (électrique) .....	5 750
*Sèche-linge (à gaz) .....	700
*Machine à laver .....	1 150
Cafetière .....	1 750
*Compresseur (1 HP) .....	2 000
*Compresseur (0,75 HP) .....	1 800
*Compresseur (0,5 HP) .....	1 400
Fer à friser .....	700
*Déshumidificateur .....	650
Ponceuse à disque (9 po.) .....	1 200
Coupe-bordures .....	500
Couverture chauffante électrique .....	400
Cloueuse électrique .....	1 200
Cuisinière électrique (par élément) .....	1 500
Poêle électrique .....	1 250
*Freezer .....	700

*Ventilateur de chaudière (0,6 HP) . . . . .	875
*Ouvre-porte de garage . . . . .	500 à 750
Sèche-cheveux . . . . .	1 200
Perceuse à main . . . . .	250 à 1 100
Taille-haie . . . . .	450
Clé à chocs . . . . .	500
Fer . . . . .	1 200
*Pompe à jet . . . . .	800
Tondeuse à gazon . . . . .	1 200
Ampoule . . . . .	100
Four à micro-ondes . . . . .	700 à 1 000
*Réfrigérateur de lait . . . . .	1 100
Brûleur à mazout de chaudière . . . . .	300
Radiateur à mazout (140 000 Btu) . . . . .	400
Radiateur à mazout (85 000 Btu) . . . . .	225
Radiateur à mazout (30 000 Btu) . . . . .	150
*Pistolet à peinture, sans air (0,3 HP) . . . . .	600
Pistolet à peinture, sans air (portable) . . . . .	150
Radio . . . . .	50 à 200
*Réfrigérateur . . . . .	700
Cocotte mijoteuse . . . . .	200
*Pompe immergée (1,5 HP) . . . . .	2 800
*Pompe immergée (1 HP) . . . . .	2 000
*Pompe immergée (0,5 HP) . . . . .	1 500
*Pompe de vidange . . . . .	800 à 1 050

\* Laisser trois (3) fois les watts indiqués pour le démarrage de ces dispositifs.

#### REMARQUE :

Lors du démarrage d'un moteur électrique, la DEL de « SURCHARGE » peut s'allumer pendant cinq (5) secondes maximum (c'est normal). Si elle reste allumée, un problème est survenu. Retirer toutes les charges et arrêter le générateur pour réinitialiser l'alarme. Redémarrer le générateur. Si la DEL de « SURCHARGE » reste allumée, contacter un dépositaire Generac pour obtenir de l'aide.

## UTILISATION DE L'INTERRUPTEUR FLEXPOWER™


Lorsque les accessoires connectés au générateur vont être utilisés par intermittence (une perceuse à main, par ex.), l'interrupteur FlexPower™ peut être placé sur la position « MARCHE » (I). Cela va réduire la vitesse du moteur du générateur lorsque les charges ne sont pas appliquées, ce qui permet d'économiser le carburant, de réduire l'usure du moteur et de prolonger le temps de fonctionnement.


## UTILISATION DU CHARGEUR DE BATTERIE 12 VCC

La prise 12 VCC peut être utilisée uniquement pour recharger les batteries d'automobile 12 VCC. La puissance de sortie de chargement CC n'est pas réglementée. Le dispositif de protection des circuits n'empêche pas la surcharge d'une batterie.

1. Connecter tout d'abord le câble de charge au générateur, puis à la batterie, en branchant TOUJOURS le fil rouge sur la borne positive (+) et le noir sur la borne négative (-).

### ⚠ DANGER!

 **Ne pas produire de fumée, flammes nues, étincelles ou autre source de chaleur à proximité de la batterie. Porter des lunettes de protection, un tablier en caoutchouc et des gants en caoutchouc lors du travail autour de la batterie. Le fluide d'électrolyte de la batterie est une solution d'acide sulfurique extrêmement corrosive qui peut causer des brûlures graves. En cas d'éclaboussure, rincer immédiatement la zone à l'eau claire.**

 **Les batteries rechargeables émettent un gaz hydrogène explosif lors du rechargement. Un mélange explosif restera autour de la batterie longtemps après son chargement. La plus petite étincelle peut enflammer l'hydrogène et causer une explosion. Cette explosion peut faire voler en éclats la batterie et causer la cécité ou d'autres blessures graves.**

 **NE JAMAIS inverser la polarité lors de la connexion des bornes de la batterie à la prise de charge femelle. De graves dommages peuvent être causés au générateur et à la batterie.**

2. Maintenir l'interrupteur FlexPower™ sur la position « ARRÊT » (O).
3. Démarrer le générateur et l'utiliser dans des conditions normales. Le temps de charge variera en fonction de la taille et de l'état de la batterie. Vérifier la tension aux bornes de la batterie une fois que le câble de charge a été débranché ou que le générateur a été arrêté.

#### REMARQUE :

Cette prise ne peut pas recharger les batteries de 6 volts et ne peut pas être utilisée pour faire tourner un moteur ayant une batterie déchargée.

## SYSTÈME D'ARRÊT

Lorsque le générateur n'est plus nécessaire, il peut être arrêté.

1. Éteindre tous les accessoires connectés au générateur. Débrancher tous les cordons des doubles prises 120 VCA ou de la prise 12 VCC.
2. Mettre la vanne de combustible sur la position « ARRÊT » (O) (Schéma 7). Un interrupteur situé derrière la vanne de combustible relie le système d'allumage à la terre, en arrêtant le moteur et le ravitaillement en carburant est arrêté.
3. Fermer l'évent du bouchon du réservoir d'essence.
4. Laisser refroidir le générateur avant de le déplacer ou de l'entreposer.

### ⚠ ATTENTION!

 **Laisser toujours refroidir le générateur avant de l'entreposer. L'arrière de l'unité présentera une température élevée pendant un certain temps après l'arrêt.**



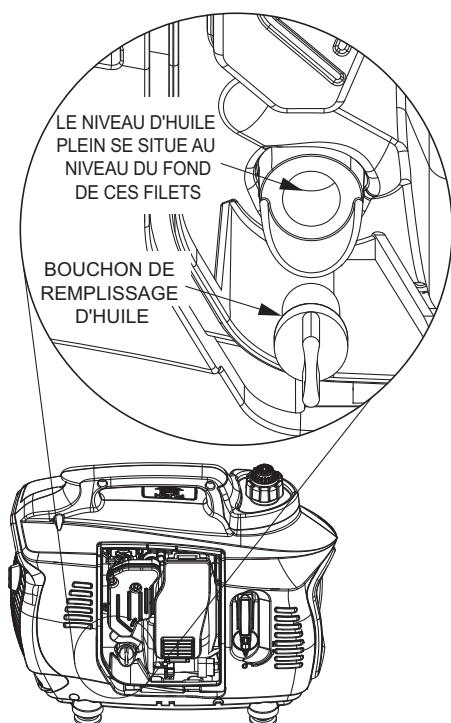
## AJOUTER DE L'HUILE DE MOTEUR DANS LE CARTER

1. Installer l'unité sur une surface ferme et plane.
2. Retirer le couvercle de service gauche.
3. Retirer le bouchon de remplissage d'huile situé au fond du carter du moteur.
4. Ajouter doucement l'huile de moteur recommandée, en observant de fréquents arrêts afin de vérifier le niveau. Le niveau complet est la base des filets du col de remplissage. **NE PAS TROP REMPLIR !**
5. Replacer le bouchon de remplissage d'huile et le revisser.
6. Toujours vérifier le niveau d'huile avant de démarrer le moteur du générateur.

### ⚠ ATTENTION!

**⚠ NE PAS verser trop d'huile dans le carter du moteur. Cela aura pour conséquence une haute pression d'huile qui provoquera l'usure prématurée et des dommages au moteur.**

Schéma 9 - Remplissage d'huile



## MAINTENANCE DU GÉNÉRATEUR

Un entretien correct garantira le fonctionnement maximum de votre générateur. La maintenance du générateur consiste à garder l'unité propre et sèche. Faire fonctionner et stocker l'unité dans un environnement sec et propre où il ne sera pas exposé à trop de poussières, de saletés, d'humidité ou de vapeurs corrosives.

Les fentes de refroidissement du générateur ne doivent pas être obstruées par la neige, les feuilles ou tout autre corps étranger.

Vérifier régulièrement que le générateur est propre et nettoyer la poussière, les saletés, l'huile, l'eau ou les autres corps étrangers qui sont visibles sur sa surface extérieure.

### REMARQUE :

Ne jamais insérer d'objet ou d'outil dans les fentes de refroidissement, même si le moteur ne fonctionne pas.

### REMARQUE :

**NE PAS utiliser un tuyau d'arrosage pour nettoyer le générateur. L'eau peut entrer dans le système de carburant du moteur et causer des problèmes. En outre, si l'eau entre dans le générateur par les fentes de refroidissement, de l'eau restera dans les vides et les crevasses du bobinage d'isolement du rotor et du stator. L'accumulation d'eau et de saletés sur les bobinages internes du générateur diminuera potentiellement la résistance d'isolement de ces bobinages.**

## PROGRAMME DE MAINTENANCE DU GÉNÉRATEUR

Respecter le programme d'entretien recommandé ; pour commander des pièces de rechange, appeler le 1-888-436-3722.

	Lors de chaque utilisation	Toutes les 100 heures	Tous les 6 mois	Tous les ans
Niveau de carburant	X			
Niveau d'huile	X			
Vérifier le filtre à air	X			
*Changer l'huile du moteur		X		
*Nettoyer le filtre à air		X		
Vérifier la bougie d'allumage			X	
Vérifier le pot d'échappement			X	
Remplacer la bougie d'allumage				X
Remplacer le filtre à carburant				X
* Changer l'huile initiale après les cinq (5) premières heures de fonctionnement				
** Nettoyer le filtre à air plus souvent s'il fonctionne en présence de sable ou de poussière. Remplacer si nécessaire.				

## NETTOYAGE DU GÉNÉRATEUR

1. Utiliser un chiffon humide pour le nettoyage des surfaces externes.
2. Il est possible d'utiliser une brosse douce en poils pour décoller les agglutinations de saletés, d'huile, etc.
3. Un aspirateur pourra être utilisé pour récupérer les saletés et les débris.
4. Un air projeté avec une faible pression (inférieur à 25 livres par pouce carré) pourra être utilisé pour souffler la saleté. Inspecter les fentes de refroidissement et les orifices du générateur. Ces orifices doivent être propres et non obstrués.
5. Inspecter les tuyaux de ventilation situés sur le côté gauche du générateur. S'assurer que les tuyaux dépassent des fentes situées sous la porte et que les extrémités sont ouvertes et dépourvues de débris.

## MAINTENANCE DU MOTEUR

### REMARQUE :

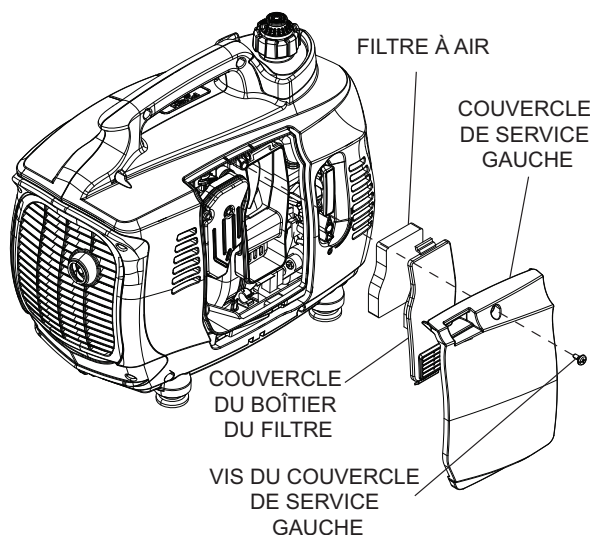
Fonctionne uniquement sur un générateur qui est entièrement refroidi.

Inspecter le niveau d'huile et l'état du filtre à air chaque fois que vous allez utiliser le générateur. Pour vérifier le filtre à air et le niveau d'huile, le couvercle de service gauche doit être retiré ; utiliser un tournevis pour dévisser les vis maintenant le couvercle et le retirer.

Le filtre à air se trouve derrière le couvercle de la boîte à vent (Schéma 10). Pousser la fixation située à l'arrière de la boîte à vent vers le haut pour libérer le couvercle. Pour entretenir le filtre à air :

1. Retirer le filtre à air. Tapoter sur l'élément pour faire tomber toutes les grosses particules.
2. Laver l'élément dans une eau savonneuse. Le presser dans un chiffon propre pour le sécher (NE PAS LE TORDRE).
3. Sécher l'élément filtrant dans une huile de moteur propre. Essorer le filtre pour éliminer l'excès d'huile, en laissant une couche légère.
4. Nettoyer le boîtier et le couvercle du filtre à air avant de remettre en place l'élément filtrant.

Schéma 10 - Filtre à air



## CHANGEMENT DE L'HUILE DU MOTEUR

### ⚠ ATTENTION!

**⚠ De l'huile chaude peut entraîner des brûlures. Laisser le moteur refroidir entièrement avant de vidanger l'huile. Éviter un contact prolongé ou répété de la peau avec de l'huile usagée. Laver minutieusement les zones exposées avec du savon.**

Changer l'huile du moteur après les cinq (5) premières heures de fonctionnement. Par la suite, changer l'huile du moteur toutes les 100 heures. Pour changer l'huile du moteur :

1. Faire fonctionner le générateur brièvement pour chauffer l'huile du moteur ; cela va également dégager tous les dépôts du moteur et faciliter le flux de l'huile usagée.

### ⚠ ATTENTION!

**⚠ Changer l'huile lorsque le niveau du réservoir d'essence est bas ou que le réservoir est presque vide. Incliner le générateur lorsque le réservoir d'essence est plein peut provoquer une fuite d'essence.**

2. Placer le générateur sur un entonnoir de vidange et retirer le bouchon de vidange. Incliner le générateur sur le côté pour vidanger l'huile usagée du carter.

### REMARQUE :

Pour faciliter la vidange, un tuyau en vinyle (PVC) de 6 pouces au diamètre intérieur de 1,25 pouce (32 mm) peut être placé sur le bec de vidange.

3. Redresser le générateur une fois la vidange d'huile terminée. Remplacer l'huile de moteur par le degré approprié tel qu'énoncé dans la Section « AJOUT DE L'HUILE DE MOTEUR », puis replacer le bouchon de vidange.

## CHANGEMENT DU FILTRE À CARBURANT

Localiser le filtre à carburant, juste en-dessous du boîtier d'admission du moteur (Schéma 11). S'assurer que la soupape d'arrêt se trouve sur la position « Arrêt » (O).

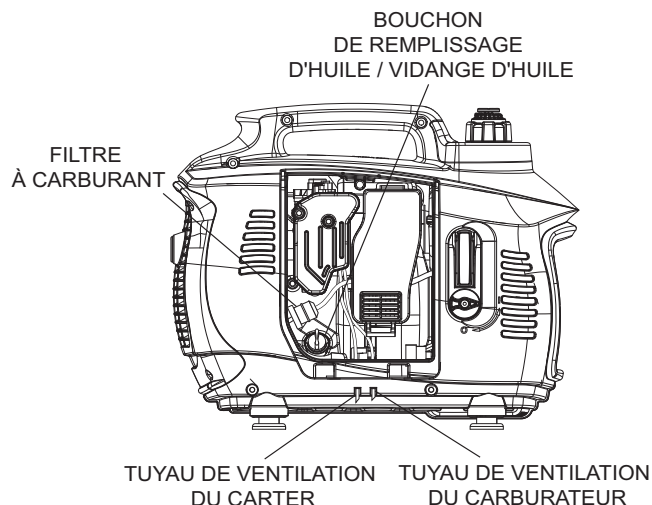
1. Retirer les pinces maintenant le filtre à carburant. Dégager les tuyaux.

### ⚠ AVERTISSEMENT!

**⚠ Nettoyer immédiatement toutes les éclaboussures de carburant ! Ne pas fumer ou remplacer le filtre à carburant près d'étincelles ou de flammes nues !**

2. Remplacer le filtre usagé par un neuf. Pousser les tuyaux pour combustible sur les raccords barbelés du filtre jusqu'à ce qu'ils soient complètement installés.
3. Replacer les pinces, en s'assurant qu'elles sont installées sur les raccords.

Schéma 11 - Filtre à carburant



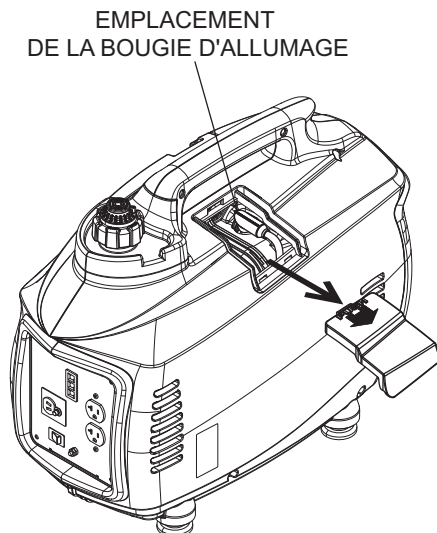


## CHANGEMENT DE LA BOUGIE D'ALLUMAGE

Remplacer la bougie d'allumage chaque année, indépendamment du nombre d'heures de fonctionnement du générateur. Utiliser une bougie NGK BPR6ES qui a été écartée de 0,030 pouces (0,76 mm). Pour remplacer la bougie :

1. Retirer le couvercle de la bougie d'allumage situé sur le côté supérieur droit du générateur, juste en-dessous de la poignée (Schéma 12).
2. Tirer le câble de la bougie d'allumage avec précaution. Utiliser une clé à pipe pour retirer la bougie d'allumage.
3. Installer la nouvelle bougie d'allumage dans la culasse. Serrer la bougie d'allumage à 15 pieds/livre.
4. Remplacer le câble de bougie, en s'assurant qu'il est entièrement installé.
5. Replacer le couvercle de la bougie d'allumage.

### Schéma 12 - Remplacement de la bougie d'allumage



## TRANSPORT ET STOCKAGE

Transporter ou stocker le générateur uniquement s'il est entièrement refroidi. S'assurer que la vanne de combustible et que l'évent du bouchon du réservoir d'essence se trouvent sur la position « Arrêt » (0).

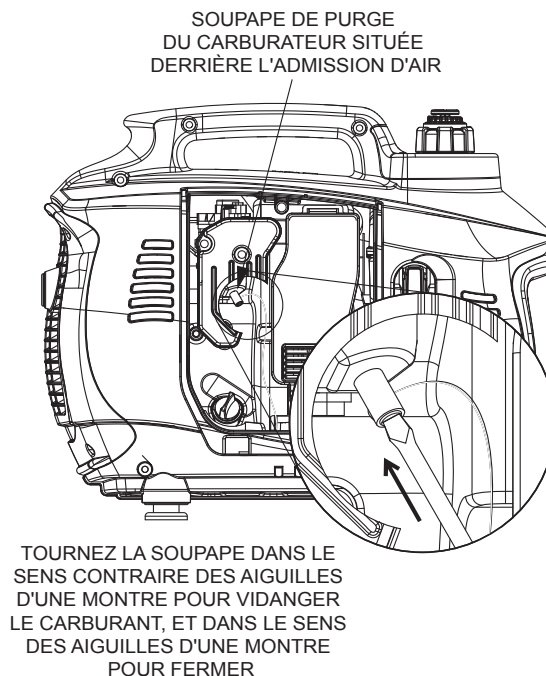
Pendant le stockage à long terme, il est important d'empêcher la formation de dépôts de gomme dans les pièces essentielles du circuit de carburant, telles que le carburateur, le tuyau pour combustible ou le réservoir. L'expérience montre également que les carburants à base d'alcool (appelés gazohol, éthanol ou méthanol) peuvent absorber l'humidité, ce qui entraîne une séparation et la formation d'acides ; ces acides dans le gaz peuvent endommager le système de carburant d'un moteur pendant le stockage.

Pour éviter les problèmes de moteur, il est recommandé d'utiliser un stabilisateur d'essence commercial avant le stockage. Respectez les instructions du fabricant lors de l'ajout du stabilisateur.

Si le générateur va être stocké pendant plus de six (6) mois, il doit être préparé de la manière suivante :

1. Vidanger le réservoir d'essence de tout le carburant qu'il contient.
2. Démarrer et faites fonctionner le moteur jusqu'à ce qu'il s'arrête par manque de carburant ou ouvrir la soupape de la cuve du carburateur (Schéma 13) et laisser l'essence se vidanger dans un récipient. Mettre au rebut de manière appropriée. Veiller à fermer la soupape une fois l'essence vidangée.

### Schéma 13 - Soupape de purge du carburateur



3. Vidanger le carter pendant que le moteur est encore chaud. Remplir jusqu'au niveau recommandé.
4. Retirer les bougies d'allumage et verser environ 0,5 onces (15 ml) d'huile pour moteur dans les cylindres. Couvrir l'orifice de la bougie d'allumage avec un chiffon. Tirez sur la ficelle de démarrage plusieurs fois pour recouvrir les parois du cylindre d'huile de moteur.
5. Remettre et serrer la bougie d'allumage.
6. Nettoyer les surfaces externes du générateur. Vérifier que les fentes de refroidissement et les orifices du générateur sont ouverts et non obstrués.
7. Stocker l'unité dans un endroit propre et sec.  
Ne pas stocker l'essence d'une saison sur l'autre.

Si cela est possible, stocker l'unité à l'intérieur et la recouvrir afin de la protéger de la saleté et de la poussière.

## GUIDE DE DÉPANNAGE

PROBLÈME	CAUSE	ACTION CORRECTIVE
Le moteur ne démarre pas.	<ol style="list-style-type: none"> <li>1. Pas d'essence dans le réservoir.</li> <li>2. Vanne de combustible sur la position « Arrêt ».</li> <li>3. Bougie d'allumage défectueuse.</li> <li>4. Filtre à carburant connecté.</li> <li>5. Interrupteur d'arrêt du moteur coincé ou défectueux.</li> </ol>	<ol style="list-style-type: none"> <li>1. Ajouter de l'essence dans le réservoir.</li> <li>2. Mettre la vanne de combustible sur la position « Marche ».</li> <li>3. Remplacer la bougie d'allumage.</li> <li>4. Remplacer le filtre à carburant</li> <li>5. Remplacer l'interrupteur de démarrage du moteur.</li> </ol>
Le moteur démarre puis s'arrête.	<ol style="list-style-type: none"> <li>1. Niveau de carburant faible.</li> <li>2. Événement du réservoir d'essence fermé.</li> <li>3. Niveau d'huile du moteur incorrect.</li> <li>4. Carburant contaminé.</li> <li>5. Interrupteur de bas niveau d'huile défectueux.</li> <li>6. Bobine d'allumage défectueuse.</li> </ol>	<ol style="list-style-type: none"> <li>1. Ajouter de l'essence dans le réservoir.</li> <li>2. Ouvrir l'événement du réservoir d'essence.</li> <li>3. Vérifier le niveau d'huile du moteur, ajouter ou vidanger si nécessaire.</li> <li>4. Remplacer le filtre à carburant</li> <li>5. Remplacer le disjoncteur de bas niveau d'huile.</li> <li>6. Remplacer la bobine d'allumage.</li> </ol>
Le moteur démarre puis fonctionne de manière irrégulière.*	<ol style="list-style-type: none"> <li>1. L'étrangleur est coincé ou reste actionné.</li> <li>2. Filtre à air sale ou engorgé.</li> <li>3. Bougie d'allumage sale ou défectueuse.</li> <li>4. Filtre à carburant sale.</li> <li>5. Interrupteur FlexPower défectueux.</li> </ol>	<ol style="list-style-type: none"> <li>1. Mettre l'étrangleur sur la position « Arrêt ».</li> <li>2. Nettoyer ou remplacer l'élément du filtre à air.</li> <li>3. Remplacer la bougie d'allumage.</li> <li>4. Remplacer le filtre à carburant</li> <li>5. Remplacer l'interrupteur FlexPower.</li> </ol>
Absence de sortie CA.	<ol style="list-style-type: none"> <li>1. Le générateur est en surcharge (la DEL DE SURCHARGE est allumée).</li> <li>2. La tension CA est faible (la DEL DE SURCHARGE est allumée).</li> <li>3. Le module inverseur est en surchauffe (la DEL DE SURCHARGE est allumée).</li> <li>4. Court-circuit en charge (la DEL DE SURCHARGE est allumée).</li> <li>5. Ensemble de l'inverseur défectueux.</li> </ol>	<ol style="list-style-type: none"> <li>1. Arrêter le générateur pour réinitialiser le module. Réduire les charges et redémarrer le générateur.</li> <li>2. Vérifier que l'événement est ouvert et que l'étrangleur est sur la position « ARRÊT ».</li> <li>3. Vérifier que la porte de service est sur la position « MARCHE ». Laisser refroidir pendant 15 minutes et redémarrer le générateur.</li> <li>4. Vérifier l'état de tous les cordons prolongateurs et de toutes les charges alimentées.</li> <li>5. Remplacer l'ensemble de l'inverseur.</li> </ol>
Absence de sortie CC. **	<ol style="list-style-type: none"> <li>1. Le disjoncteur CC est ouvert.</li> <li>2. Disjoncteur CC défectueux.</li> <li>3. Redresseur défectueux.</li> </ol>	<ol style="list-style-type: none"> <li>1. Réarmer le disjoncteur CC.</li> <li>2. Remplacer le disjoncteur CC.</li> <li>3. Remplacer le redresseur.</li> </ol>
Fuites d'essence depuis les tuyaux de vidange.	<ol style="list-style-type: none"> <li>1. Système de carburant suramorcé (noyé).</li> <li>2. La vidange du carburateur dans la cuve n'est pas terminée.</li> </ol>	<ol style="list-style-type: none"> <li>1. Mettre l'événement du bouchon sur la position « MARCHE » et laisser le générateur se reposer pendant 15 minutes avant de redémarrer.</li> <li>2. Tourner la soupape dans le sens des aiguilles d'une montre pour fermer.</li> </ol>

\* La vitesse du moteur augmente et diminue — C'est normal au fur et à mesure que le générateur démarre et que les charges varient.

\*\* Vérifier que l'interrupteur FlexPower se trouve sur la position « ARRÊT » (O).







### ÉNONCÉ DE LA GARANTIE FÉDÉRALE DU CONTRÔLE DES ÉMISSIONS VOS DROITS ET OBLIGATIONS DE GARANTIE

L'Agence pour la Protection de l'Environnement américaine (ci-après dénommée EPA) et la société Generac Power Systems, Inc. (ci-après dénommée Generac) sont heureux de vous expliquer ce qu'est la garantie de votre nouvel équipement 2008 et ultérieur. Le nouvel équipement utilise des petits moteurs à allumage commandé doivent être conçus, construits et équipés dans le respect des normes nationales rigoureuses en matière de pollution pour le gouvernement fédéral. Generac garantira le système de contrôle des émissions de votre générateur pour les périodes indiquées ci-après, en l'absence d'acte abusif, de négligence, de modification non approuvée ou de maintenance inadaptée de votre équipement.

Votre système de contrôle des émissions pourra comprendre certaines pièces telles que : le carburateur, le système d'allumage, le système de carburant, le pot catalytique et les autres composants relatifs aux émissions (le cas échéant).

#### COUVERTURE DE GARANTIE DU FABRICANT :

Ce système de contrôle des émissions est garanti pendant une durée de deux ans. Si un composant ou système de votre équipement relatif aux émissions comporte une pièce défectueuse ou présente un défaut de fabrication pendant la durée de la garantie, les réparations ou remplacements de pièces seront effectués par un dépositaire d'entretien de garantie agréé par Generac.

#### RESPONSABILITÉS DE GARANTIE DU PROPRIÉTAIRE :

En tant que propriétaire du générateur, vous êtes responsable de la réalisation de toute la maintenance nécessaire telle que listée dans le manuel d'entretien qui vous a été remis par l'usine. Aux fins de la garantie, Generac vous recommande de conserver tous les reçus relatifs à la maintenance effectuée sur votre générateur, mais Generac ne peut pas refuser la garantie uniquement en raison de la non-présentation des reçus.

En tant que propriétaire du générateur, vous devez cependant savoir que Generac pourra refuser tout et / ou partie de la couverture de la garantie ou de la responsabilité si votre générateur et / ou toute pièce de celui-ci ne fonctionne plus du fait d'un usage abusif, d'une négligence, d'une mauvaise maintenance ou de modifications non approuvées, ou de l'utilisation de pièces contrefaites et / ou provenant de l'économie souterraine n'ayant pas été fabriquées, fournies ou approuvées par Generac.

**Vous êtes chargé de contacter un dépositaire de garantie agréé par Generac dès qu'un problème se présente. Les réparations effectuées dans le cadre de la garantie devront être faites dans une période raisonnable, inférieure à 30 jours.**

Le service de garantie peut être organisé en contactant votre dépositaire ou un dépositaire de service de garantie agréé par Generac. Pour connaître le dépositaire de service de garantie agréé par Generac situé le plus près, appeler notre numéro gratuit :

**1-800-333-1322**

**REMARQUE IMPORTANTE :** Cette déclaration de garantie explique vos droits et obligations dans le cadre de la garantie du Système de Contrôle des Émissions (garantie du SCE) qui vous est fournie par Generac conformément au droit de l'État fédérale. Consulter également les « Garanties limitées de Generac pour Generac Power Systems, Inc. » jointes au présent document sur un feuillet séparé, qui vous est également remis par Generac. Veuillez noter que la présente garantie ne s'applique pas aux dommages accessoires, importants ou indirects causés par des défaillances matérielles ou de fabrication, ou par tout retard de réparation ou de remplacement de la ou des pièce(s) défectueuses. La présente garantie remplace toutes les autres garanties, implicites ou explicites. En particulier, Generac n'émet aucune garantie de conformité ou d'usage pour un objectif particulier. Certains états ne permettent pas de poser une limite à la durée de la garantie implicite, la limite susmentionnée ne s'applique donc pas à ces derniers.

La garantie du SCE ne s'applique qu'au système de contrôle des émissions de votre nouvel équipement. En cas de conflit au niveau des termes de la présente garantie du SCE et de la garantie Generac, la garantie de Generac prévaudra. Les garanties du SCE et de Generac décrivent les droits et obligations importantes relatives à votre nouvel équipement.

Le service de garantie ne peut être réalisé que par une entreprise de service agréée par Generac. En cas de demande du service de garantie, des preuves mentionnant la date de vente à l'acquéreur / au propriétaire d'origine doivent être présentées.

Pour toute question concernant vos droits et responsabilités de garantie, merci de contacter Generac à l'adresse suivante :

**ATTENTION WARRANTY DEPARTMENT  
GENERAC POWER SYSTEMS, INC.  
P.O. BOX 297 • WHITEWATER, WI 53190**

## GARANTIE DU SYSTÈME DE CONTRÔLE DES ÉMISSIONS

Garantie du Système de Contrôle des Émissions (garantie du SCE) pour l'équipement utilisant de petits moteurs à allumage commandé :

- (a) Applicabilité : La présente garantie s'applique à l'équipement qui utilise de petits moteurs hors route. La période de la garantie du SCE commencera à la date d'achat / de livraison du nouvel équipement à son acquéreur / propriétaire d'origine, final, et durera pendant les 24 mois suivant ladite date.
- (b) Couverture de la garantie générale des émissions : Generac garantit à l'acquéreur / au propriétaire d'origine, final, du nouveau moteur ou équipement et à chacun des acquéreurs / propriétaires suivant que lorsqu'il est installé le SCE :
- (1) Est conçu, construit et équipé dans le respect de toutes les réglementations applicables ; et
  - (2) Ne comporte aucune pièce défectueuse ni ne présente aucun défaut de fabrication à tout moment de la période de garantie du SCE.
- (c) La garantie sur les pièces relatives aux émissions sera interprétée de la façon suivante :
- (1) Toute pièce garantie, dont le remplacement n'est pas prévu au cours des maintenances obligatoires mentionnées dans le Manuel d'entretien sera garantie pour toute la durée de la Garantie du SCE. Si l'une de ces pièces devient défectueuse pendant la durée de la Garantie du SCE, elle sera réparée ou remplacée par Generac conformément au paragraphe (4) qui suit. Ces pièces réparées ou remplacées dans le cadre de la Garantie du SCE seront garanties pour le reste de la durée de la Garantie du SCE.
  - (2) Toute pièce garantie dont il est prévu une inspection régulière dans le Manuel d'entretien sera garantie pendant toute la durée de la Garantie du SCE. Toute déclaration au niveau du Manuel d'entretien et relative à l'effet de « réparation ou remplacement si nécessaire » ne réduira pas la durée de la Garantie du SCE. Ces pièces réparées ou remplacées dans le cadre de la Garantie du SCE seront garanties pour le reste de la durée de la Garantie du SCE.
  - (3) Toute pièce garantie, dont le remplacement est pas prévu au cours des maintenances obligatoires mentionnées dans le Manuel d'entretien sera garantie pour la période précédant la date du premier remplacement prévu. Si la pièce devient défectueuse avant le premier remplacement prévu, elle sera réparée ou remplacée par Generac, conformément au paragraphe (4) qui suit. Ces pièces relatives aux émissions réparées ou remplacées dans le cadre de la Garantie du SCE seront garanties pour le reste de la durée précédant la date de leur premier remplacement prévu.
  - (4) La réparation ou le remplacement de toute pièce relative aux émissions et garantie dans le cadre de la Garantie du SCE sera réalisé sans frais pour le propriétaire dans un service de garantie agréé par Generac.
  - (5) Nonobstant les dispositions de la sous-section (4) ci-dessus, les services ou réparations sous garantie doivent être effectués aux centres d'entretien agréés Generac.
  - (6) Si le moteur est inspecté par un service de garantie agréé par Generac, les frais de diagnostic ne seront pas à la charge de l'acquéreur / du propriétaire si la réparation entre dans le cadre de la garantie.
  - (7) Generac est tenu, pendant la durée de la Garantie du SCE, de conserver un stock de pièces relatives aux émissions et garanties suffisant afin de répondre à la demande desdites pièces.
  - (8) Toute pièce de rechange relative aux émissions agréée et approuvée par Generac pourra être utilisée pour la réalisation de toute maintenance ou réparation effectuée dans le cadre de la garantie du SCE et sera fournie sans frais à la charge de l'acquéreur / du propriétaire. Cette utilisation ne réduira pas les obligations de Generac dans le cadre de la Garantie du SCE.
  - (9) Toute pièce non approuvée, ajoutée, modifiée, contrefaite et / provenant de l'économie souterraine ne pourra pas être utilisée afin de modifier ou de réparer un moteur Generac. L'utilisation de telles pièces annule la Garantie du SCE et constituera un motif suffisant pour rejeter toute demande de bénéfice de la Garantie du SCE. Generac ne sera pas responsable des défaillances des pièces garanties d'un équipement Generac dues à l'utilisation de pièces non approuvées, ajoutées, modifiées contrefaites et / ou provenant de l'économie souterraine.

### LES PIÈCES RELATIVES AUX ÉMISSIONS PEUVENT INCLURE CE QUI SUIT (LE CAS ÉCHÉANT) :

- |   |   |
|---|---|
| <ol style="list-style-type: none"> <li>1) SYSTÈME DE DOSAGE DU CARBURANT               <ol style="list-style-type: none"> <li>A. CARBURATEUR ET PIÈCES INTERNES</li> <li>B. RÉGULATEUR DE PRESSION</li> </ol> </li> <li>2) SYSTÈME D'INDUCTION D'AIR               <ol style="list-style-type: none"> <li>A. COLLECTEUR D'ADMISSION</li> <li>B. FILTRE À AIR</li> </ol> </li> <li>3) SYSTÈME D'ALLUMAGE               <ol style="list-style-type: none"> <li>A. BOUGIES D'ALLUMAGE</li> <li>B. BOBINES / MODULE D'ALLUMAGE</li> </ol> </li> </ol> | <ol style="list-style-type: none"> <li>4) SYSTÈME D'INJECTION D'AIR               <ol style="list-style-type: none"> <li>A. VANNE À IMPULSION D'AIR</li> </ol> </li> <li>5) SYSTÈME D'ÉCHAPPEMENT               <ol style="list-style-type: none"> <li>A. CATALYSEUR</li> <li>B. RÉACTEUR THERMIQUE</li> <li>C. COLLECTEUR D'ÉCHAPPEMENT</li> </ol> </li> </ol> |
|---|---|

2ème partie

## GARANTIE LIMITÉE DE DEUX ANS DE GENERAC POWER SYSTEMS POUR LES GÉNÉRATEURS PORTABLES SÉRIE IX

La société Generac Power Systems, Inc. (Generac) garantit que, pendant une période de deux années à compter de la date d'achat d'origine, ses générateurs série IX ne présenteront aucun défaut matériel ni de fabrication pour les éléments et la période mentionnée ci-après. Generac réparera ou remplacera, comme il le jugera nécessaire, toute pièce jugée défectueuse après un examen, une inspection et un test réalisés par Generac ou un dépositaire de service de garantie agréé par Generac. Tout équipement déclaré défectueux par l'acquéreur / le propriétaire doit être retourné et examiné par le dépositaire de service de garantie agréé par Generac le plus proche. Tous les frais d'envoi à payer dans le cadre de la garantie, dont le retour à l'usine, seront supportés et payés à l'avance par l'acquéreur / le propriétaire. Cette garantie ne s'applique qu'aux générateurs portables de la série IX et n'est pas transférable par l'acquéreur d'origine. Il est conseillé de conserver les preuves d'achat. Si vous ne fournissez pas de preuve de la date d'achat d'origine, la date d'envoi du produit par son fabricant servira à déterminer la période de garantie.

### PROGRAMME DE GARANTIE

Les applications des clients sont garanties pendant deux (2) ans. Les applications commerciales et de location sont garanties pendant six (6) mois.

#### APPLICATION DES CLIENTS

ANNÉE UNE – couverture à 100 % (cent pour cent) pour la main d'œuvre et la/les pièce(s) listées (il est nécessaire de présenter une preuve d'achat et de maintenance) :

- Moteur - tous les composants
- Alternateur - tous les composants

ANNÉE DEUX - couverture à 100 % (cent pour cent) sur la/les pièce(s) listée(s) (il est nécessaire de présenter une preuve d'achat et de maintenance) :

- Moteur - tous les composants
- Alternateur - tous les composants

#### APPLICATIONS COMMERCIALES / DE LOCATION

SIX PREMIERS MOIS – couverture à 100 % (cent pour cent) pour la main d'œuvre et la/les pièce(s) listées (il est nécessaire de présenter une preuve d'achat et de maintenance) :

- Moteur - tous les composants
- Alternateur - tous les composants

**REMARQUE :** Aux fins de la présente garantie, « utilisation du consommateur » désigne une utilisation ménagère personnelle ou récréative de la part de l'acquéreur d'origine. La présente garantie ne s'applique pas aux unités utilisées pour de l'énergie primaire au lieu du réseau lorsque le réseau électrique principal est présent ou n'existe normalement pas. Une fois que le générateur a été utilisé de manière commerciale ou locative, il sera considéré par la suite comme un générateur à utilisation non personnelle dans le cadre de la présente garantie.

Toutes les indemnités de garantie sont soumises aux conditions définies dans le manuel des politiques, procédures et tarifs forfaitaires de garantie de Generac.

### LA PRÉSENTE GARANTIE NE S'APPLIQUE PAS AUX ÉLÉMENTS SUIVANTS :

- Les générateurs portables Generac utilisant des pièces de rechange ne provenant pas de Generac.
- Les coûts de maintenance et des modifications normales.
- Les défaillances entraînées par de l'essence ou de l'huile contaminée, ou par l'utilisation de niveaux d'huile non appropriés.
- Les réparations ou diagnostics réalisés par des dépositaires non agréés par Guardian / Generac et non autorisés par écrit par Generac Power Systems.
- Les défaillances dues, sans s'y limiter, à l'usure normale, à des accidents, mauvaises utilisations, usages abusifs, négligence ou utilisation inadaptée. Comme pour tous les dispositifs mécaniques, les moteurs Generac nécessitent une réparation et un remplacement périodiques de leurs pièces pour fonctionner comme prévu. La présente garantie ne couvre pas les réparations lorsque le problème de la ou les pièce(s) ou du moteur découle d'une utilisation normale.
- Les défaillances causées par toute cause extérieure ou tout cas de force majeure indépendamment de la volonté du fabricant.
- Les dommages dus à des rongeurs et / ou insectes.
- Les produits modifiés ou altérés d'une façon n'ayant pas été autorisée par écrit par Generac.
- Les dommages accessoires, importants ou indirects causés par des défaillances matérielles ou de fabrication, ou par tout retard de réparation ou de remplacement de la ou des pièce(s) défectueuses.
- Les défaillances dues à une mauvaise application.
- Les frais de téléphone, de téléphone portable, de fax, d'accès à Internet ou d'autres moyens de communication.
- Les frais d'hébergement ou de transport de la ou des personne(s) réalisant l'entretien, sauf si cela est spécifiquement inclus dans les termes d'une période de garantie d'une unité spécifique.
- Les dépenses liées à l'instruction du client ou au dépannage lorsqu'aucun défaut n'est détecté.
- Les équipements loués utilisés pendant la réalisation des réparations dans le cadre de la garantie.
- Les frais de transport de nuit ou d'envoi spécial de la ou des pièce(s) de rechange.
- Les heures supplémentaires, le travail de jour férié ou en urgence de la main d'œuvre.
- Les batteries de démarrage, fusibles, ampoules et fluides du moteur.

LA PRÉSENTE GARANTIE REMPLACE TOUTES LES AUTRES GARANTIES, IMPLICITES OU EXPLICITES, EN PARTICULIER, GENERAC POWER SYSTEMS N'ÉMET AUCUNE GARANTIE DE CONFORMITÉ OU D'USAGE POUR UN OBJECTIF PARTICULIER. Toute garantie implicite qui est autorisée par la loi doit être limitée en durée conformément aux conditions de garantie explicite stipulées dans la présente. Certains états ne permettent pas de poser une limite à la durée de la garantie implicite, la limite susmentionnée ne s'applique donc pas à l'acheteur/ au propriétaire.

GENERAC POWER SYSTEMS NE SERA RESPONSABLE QUE DE LA RÉPARATION OU DU REMPLACEMENT DE LA OU DES PIÈCES TEL QUE SUSMENTIONNÉ. EN AUCUN CAS GENERAC POWER SYSTEMS NE POURRA ÊTRE TENU RESPONSABLE DE TOUT DOMMAGE ACCESSOIRE OU IMPORTANT, MÊME SI CE DOMMAGE DÉCOULE DIRECTEMENT D'UNE NÉGLIGENCE DE GENERAC POWER SYSTEMS, INC. Certains états ne permettent pas d'exclure ou de poser une limite aux dommages accessoires ou importants, la limite susmentionnée ne s'applique donc pas à l'acheteur/ au propriétaire. L'acheteur/ le propriétaire accepte de ne faire aucune réclamation à l'encontre de Generac Power Systems, Inc. en se basant sur la négligence. La présente garantie confère à l'acheteur/ au propriétaire des droits juridiques spécifiques. L'acheteur/ le propriétaire peut également avoir d'autres droits qui varient d'État en État.

**GENERAC POWER SYSTEMS, INC.**

**P.O. BOX 8 • Waukesha, WI 53187**

**Tél. : (888) GENERAC (436-3722) • Fax : (262) 544-4851**

**Pour localiser le dépositaire le plus proche, visitez notre site Internet [www.generac.com](http://www.generac.com)**