

6

5

4

3

2

1

This document contains proprietary information and may not be reproduced or copied without the express written permission of a duly authorized representative of NovAtel Inc.

DRL/ECO	DESIGN AUTH	DWN	DESCRIPTION	DATE	REV
		TDK	PROTOTYPE-RF ONLY	97/07/17	B
		TDK	P/N CORRECTIONS	97/07/31	B1
		TDK	PROTOTYPE-RF+DIGITAL	97/08/19	C
		RP	INCORPORATE MARKUPS	99-01-18	E

# TITLE PAGE

OEM4 Rev E  
 CMC version  
 redlined to  
 manufacturing version  
 of Rev E

### GENERAL NOTES:

- ALL RESISTOR VALUES ARE IN OHMS, UNLESS OTHERWISE SHOWN.
- ALL CAPACITOR VALUES ARE IN MICROFARADS, UNLESS OTHERWISE SHOWN.
- ALL INDUCTOR VALUES ARE IN NANOHENRIES, UNLESS OTHERWISE SHOWN.
- ALL RESISTORS ARE 0603 CHIP TYPE, UNLESS OTHERWISE SHOWN.
- ALL CAPACITORS ARE 0603 CHIP TYPE, UNLESS OTHERWISE SHOWN.
- "T" NOTE ON POLARIZED CAPACITORS INDICATES TANTALUM CHIP TYPE.
- "NNP" NOTE INDICATES COMPONENT IS NOT NORMALLY POPULATED.
- "TBD" NOTE INDICATES COMPONENT VALUE IS TO BE DETERMINED.
- ANY CHANGES IN THE SCHEMATICS SHOULD RESULT IN A CHANGE OF THE HARDWARE REVISION ENCODING
- REFERENCE DESIGNATION LEGEND; ( WHERE X=SHEET #)
  - 1) RF REFERENCES  
 X00-X39 = L1  
 X40-X79 = L2  
 X80-X99 = COMMON
  - 2) DIGITAL REFERENCES  
 X00-X99 = DIGITAL

TABLE 1: USED REFERENCE DESIGNATORS

LAST REF USED	REFS NOT USED
CAPACITOR	
DIODE	
FERRITE BEAD	
FILTER	
JACK (CONNECTOR)	
INDUCTOR	
LINK (TRACE)	
PLUG (CONNECTOR)	
TRANSISTOR	
RESISTOR	
RESONATOR	
TRANSMISSION LINE	
TESTPOINT	
I.C.	

### NOTES

— DENOTES 50 OHM MICROSTRIP / ON LAYER A (TRACE = 0.020 inch wide )  
 ALL R & C ARE 0603 UNLESS OTHERWISE SPECIFIED  
 FBA = MURATA BLM11A102S ALL PLACES  
 NNP = NOT NORMALLY POPULATED  
 J1 IS MMCX ANTENNA INPUT CONNECTOR  
 CTP = COAXIAL TEST POINT (TP IS NORMAL TEST POINT)  
 ALL CAPS => 1000 pF ARE X7R  
 ALL CAPS < 1000 pF ARE NPO OR COG

ITEM	DWN NO	TITLE	REV
LIST OF REFERENCE DOCUMENTS			
DWN	T KOZLYK	97/08/19	NovAtel Inc. CALGARY, ALBERTA CANADA
CHKD		NovAtel	
APVD		TITLE	
UNLESS OTHERWISE SPECIFIED			
DO NOT SCALE DRAWING			
TOLERANCE ON DECIMALS			
1PLACE 2PLACE 3PLACE			
mm +/-0.2 +/-0.10 +/-0.005			
INCH +/-0.5 DEGREES +/-0.010 +/-0.005			
REMOVE BURRS, BREAK SHARP EDGES			
DUAL DIMENSIONS: mm (INCH)			
NEXT ASSY	N/A	FIRST USED ON	N/A
SCALE NTS		DWG NO DS-01016494	REV E
SHEET 1 OF 10			

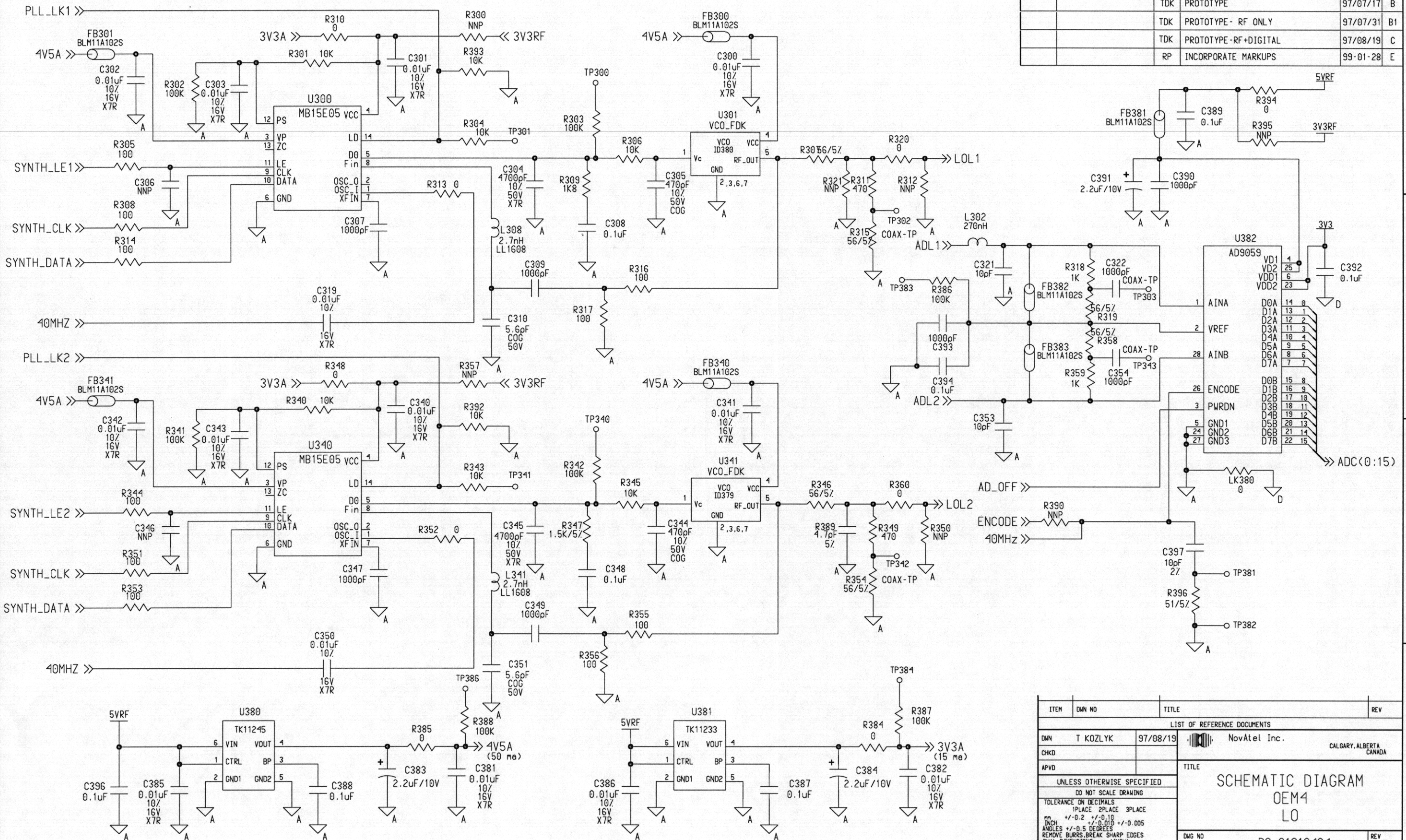
B SIZE

PATH



This document contains proprietary information and may not be reproduced or copied without the express written permission of a duly authorized representative of NovAtel Inc.

DRL/ECO	DESIGN AUTH	DWN	DESCRIPTION	DATE	REV
		TDK	PROTOTYPE	97/07/17	B
		TDK	PROTOTYPE - RF ONLY	97/07/31	B1
		TDK	PROTOTYPE - RF+DIGITAL	97/08/19	C
		RP	INCORPORATE MARKUPS	99-01-28	E



ITEM	DWN NO	TITLE	REV
LIST OF REFERENCE DOCUMENTS			
DWN	T KOZLYK	97/08/19	NovAtel Inc. CALGARY, ALBERTA CANADA
CHKD			
APVD			
UNLESS OTHERWISE SPECIFIED			
DO NOT SCALE DRAWING			
TOLERANCE ON DECIMALS			
1 PLACE 2 PLACE 3 PLACE			
mm +/-0.2 +/-0.10 +/-0.05			
INCH +/-0.5 DEGREES +/-0.010 +/-0.005			
REMOVE BURRS, BREAK SHARP EDGES			
DUAL DIMENSIONS: mm (INCH)			
NEXT ASSY	N/A	FIRST USED ON	N/A
TITLE		DWG NO	REV
SCHEMATIC DIAGRAM		DS-01016494	E
OEM4		SCALE	NTS
LO		SHEET 3 OF 10	

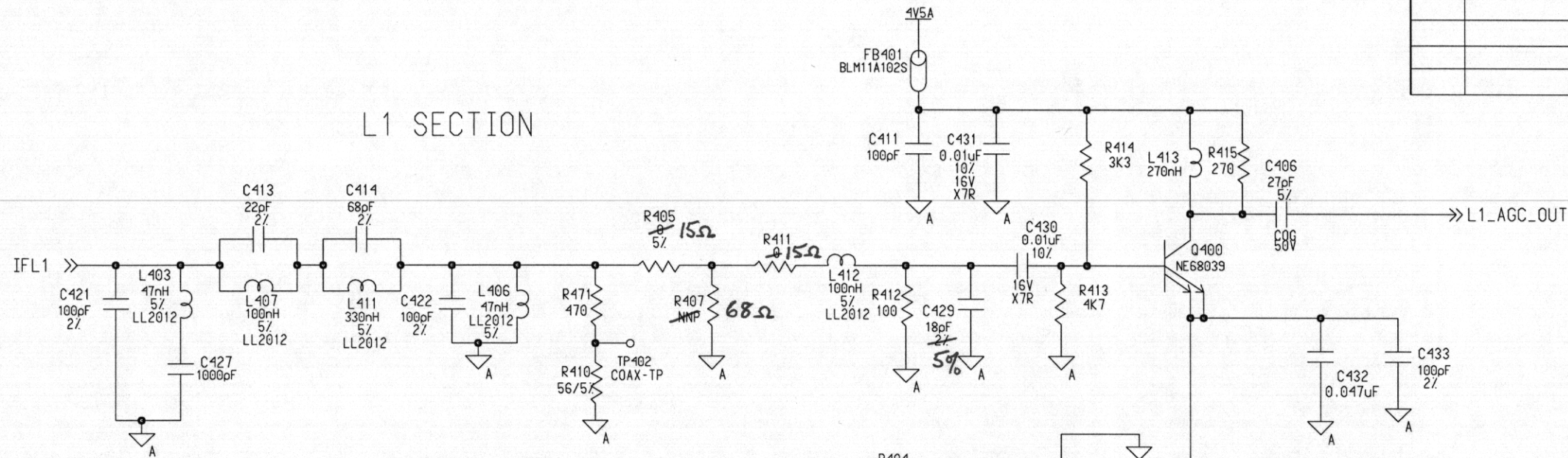
B SIZE

PATH

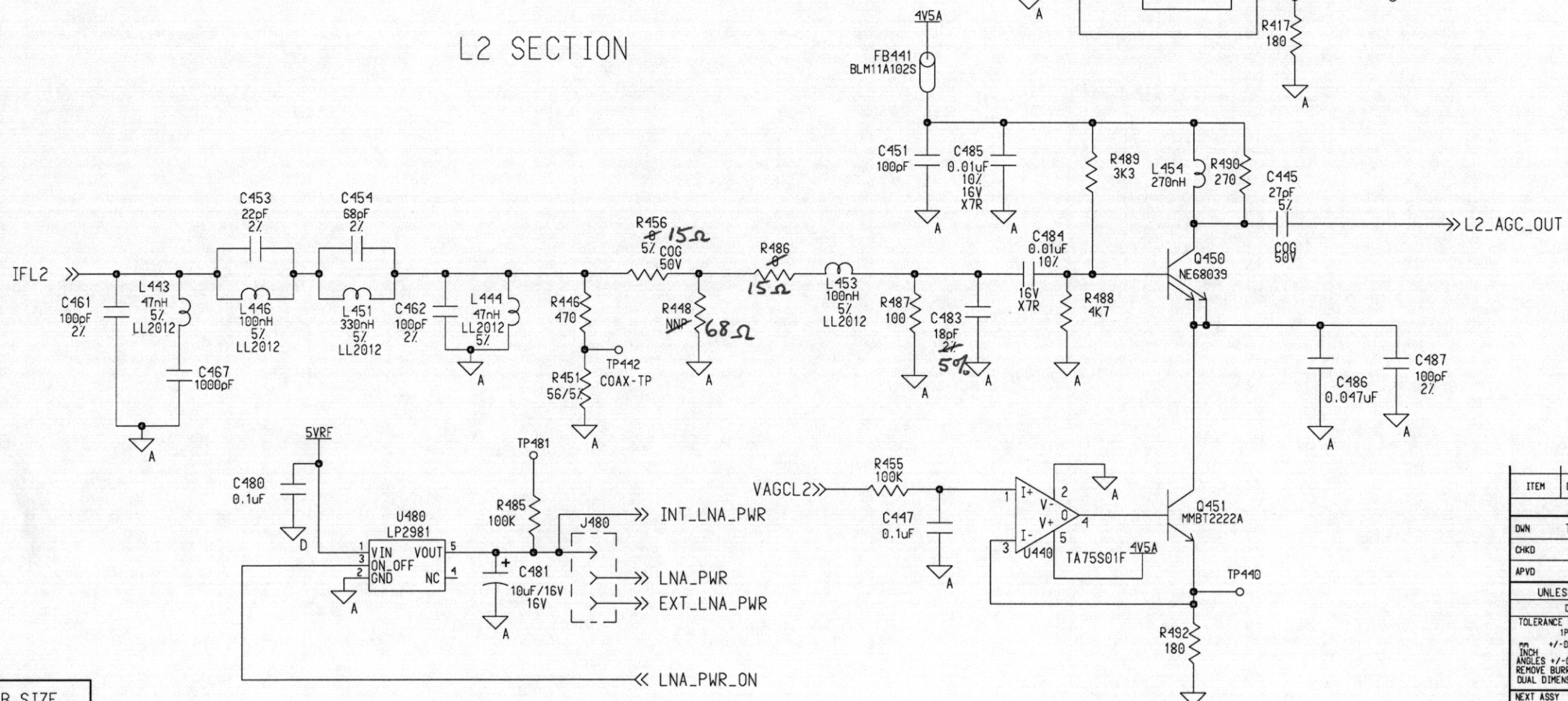
This document contains proprietary information and may not be reproduced or copied without the express written permission of a duly authorized representative of NovAtel Inc.

DRL/ECO	DESIGN AUTH	DWN	DESCRIPTION	DATE	REV
		TDK	PROTOTYPE-RF ONLY	97/07/17	B
		TDK	P/N CORRECTIONS	97/07/31	B1
		TDK	PROTOTYPE-RF+DIGITAL	97/08/19	C
		RP	INCORPORATE MARKUPS	98-12-07	E

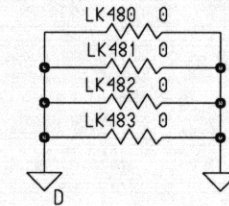
### L1 SECTION



### L2 SECTION



### ANALOG / DIGITAL PLANE LINKS



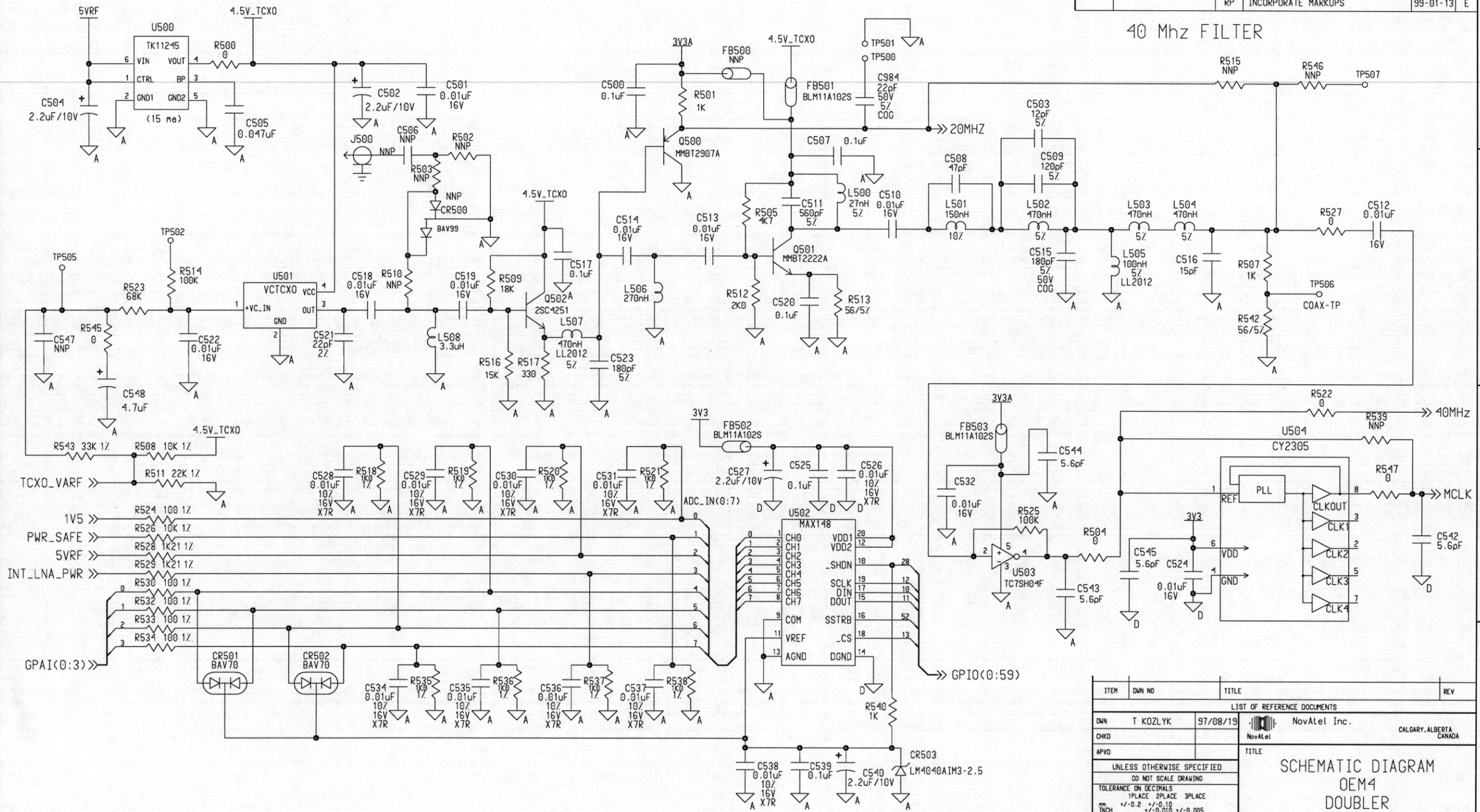
ITEM	DWN NO	TITLE	REV
LIST OF REFERENCE DOCUMENTS			
DWN	T KOZLYK	97/08/19	NovAtel Inc. CALGARY, ALBERTA CANADA
CHKD			
APVD			
UNLESS OTHERWISE SPECIFIED		<b>SCHEMATIC DIAGRAM</b> <b>OEM4</b> <b>IF</b>	
DO NOT SCALE DRAWING			
TOLERANCE ON DECIMALS			
1PLACE 2PLACE 3PLACE			
mm +/-0.2 +/-0.10		DWN NO DS-01016494 REV E	
INCH +/-0.5 DEELES +/-0.010 +/-0.005		SCALE NTS SHEET 4 OF 10	
REMOVE BURRS, BREAK SHARP EDGES			
DUAL DIMENSIONS: mm (INCH)			
NEXT ASSY	N/A	FIRST USED ON	N/A

B SIZE

PATH

This document contains proprietary information and may not be reproduced or copied without the express written permission of a duly authorized representative of NovAtel Inc.

DRL/ECO	DESIGN AUTH	DWN	DESCRIPTION	DATE	REV
		TDK	PROTOTYPE-RF ONLY	97/07/17	B
		TDK	P/N CORRECTIONS	97/07/31	B1
		TDK	PROTOTYPE-RF+DIGITAL	97/08/19	C
		RP	INCORPORATE MARKUPS	99-01-13	E



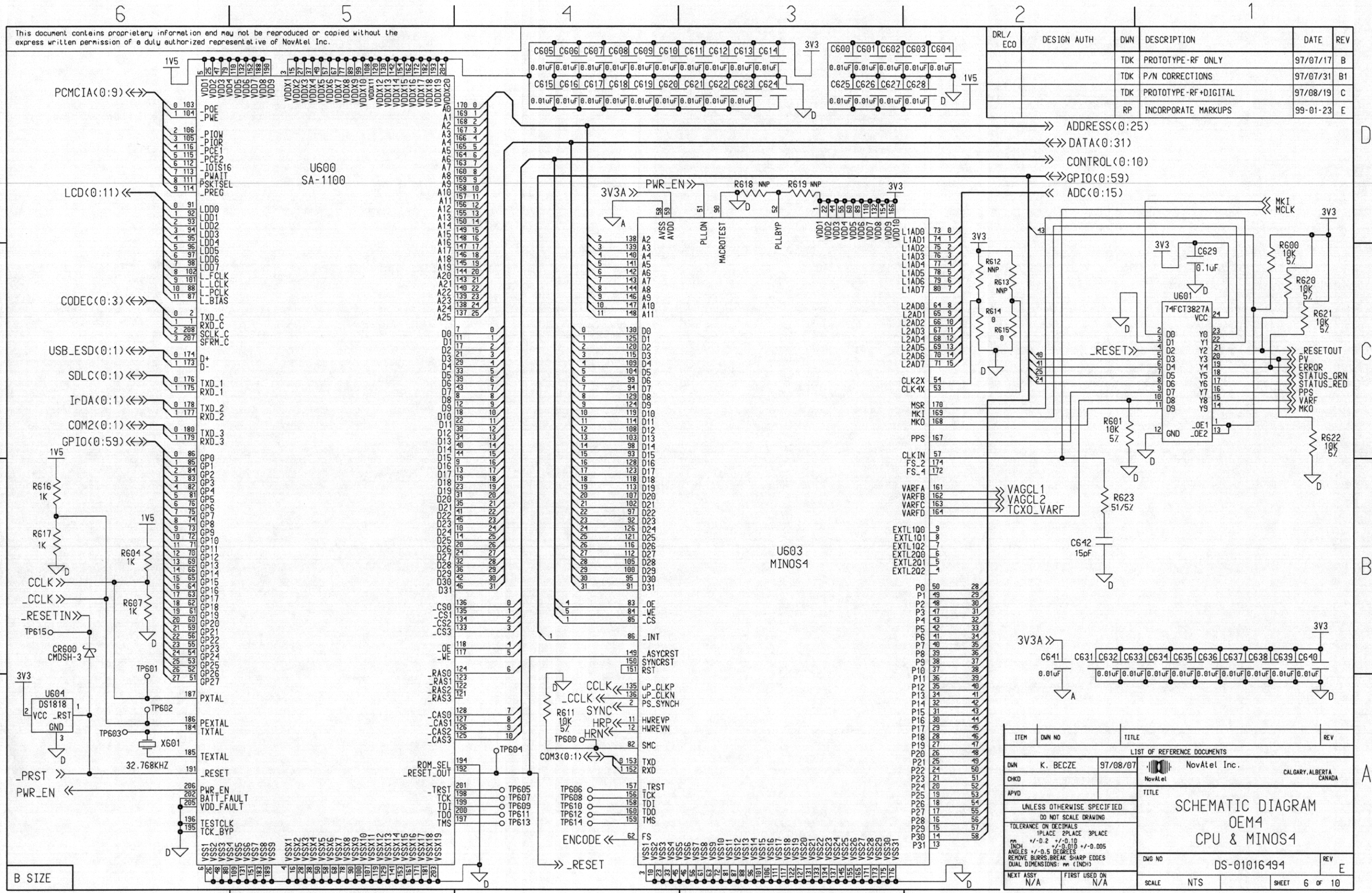
ITEM	DWN NO	TITLE	REV
LIST OF REFERENCE DOCUMENTS			
DWN	T KOZLYK	97/08/19	NovAtel Inc. CALGARY, ALBERTA CANADA
CHKD			NovAtel
APVD			
UNLESS OTHERWISE SPECIFIED			
DO NOT SCALE DRAWING			
TOLERANCE ON DECIMALS			
1PLACE 2PLACE 3PLACE			
mm +/-0.2 +/-0.10 +/-0.005			
INCH +/-0.5 DEGREES +/-0.010 +/-0.005			
REMOVE BURRS, BREAK SHARP EDGES			
DUAL DIMENSIONS: mm (INCH)			
NEXT ASSY	N/A	FIRST USED ON	N/A
Dwg No		DS-01016494	REV E
SCALE	NTS	SHEET	5 OF 10

B SIZE

PATH

This document contains proprietary information and may not be reproduced or copied without the express written permission of a duly authorized representative of NovAtel Inc.

DRL/ECO	DESIGN AUTH	DWN	DESCRIPTION	DATE	REV
		TDK	PROTOTYPE - RF ONLY	97/07/17	B
		TDK	P/N CORRECTIONS	97/07/31	B1
		TDK	PROTOTYPE - RF + DIGITAL	97/08/19	C
		RP	INCORPORATE MARKUPS	99-01-23	E



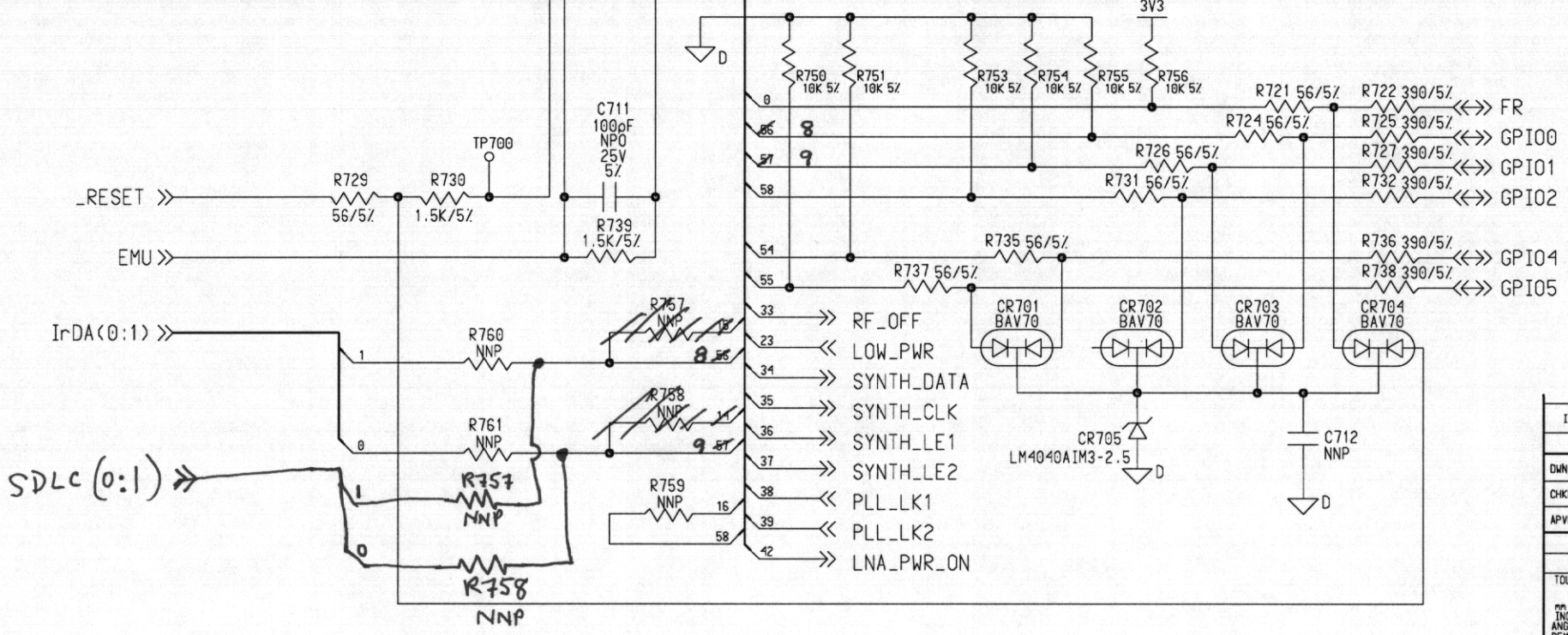
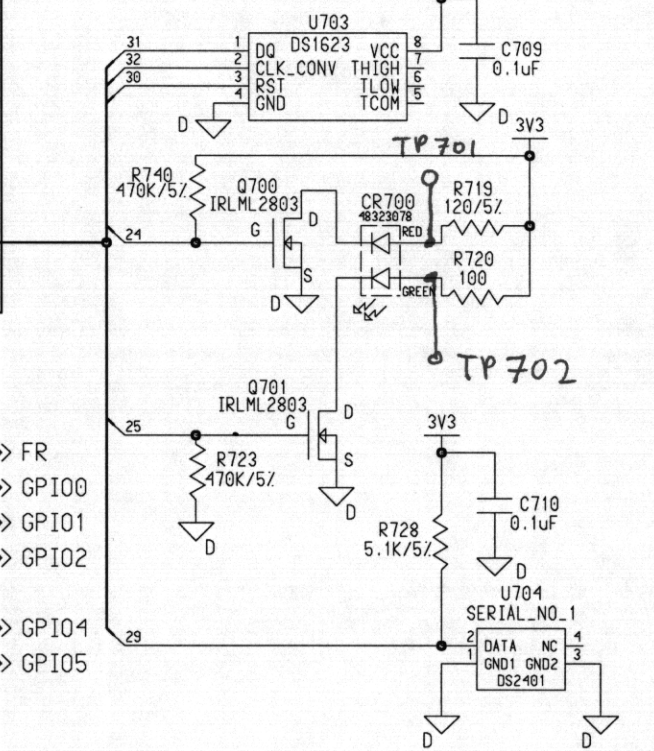
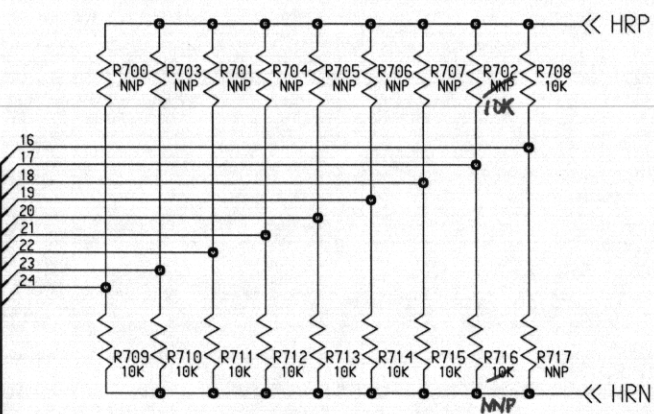
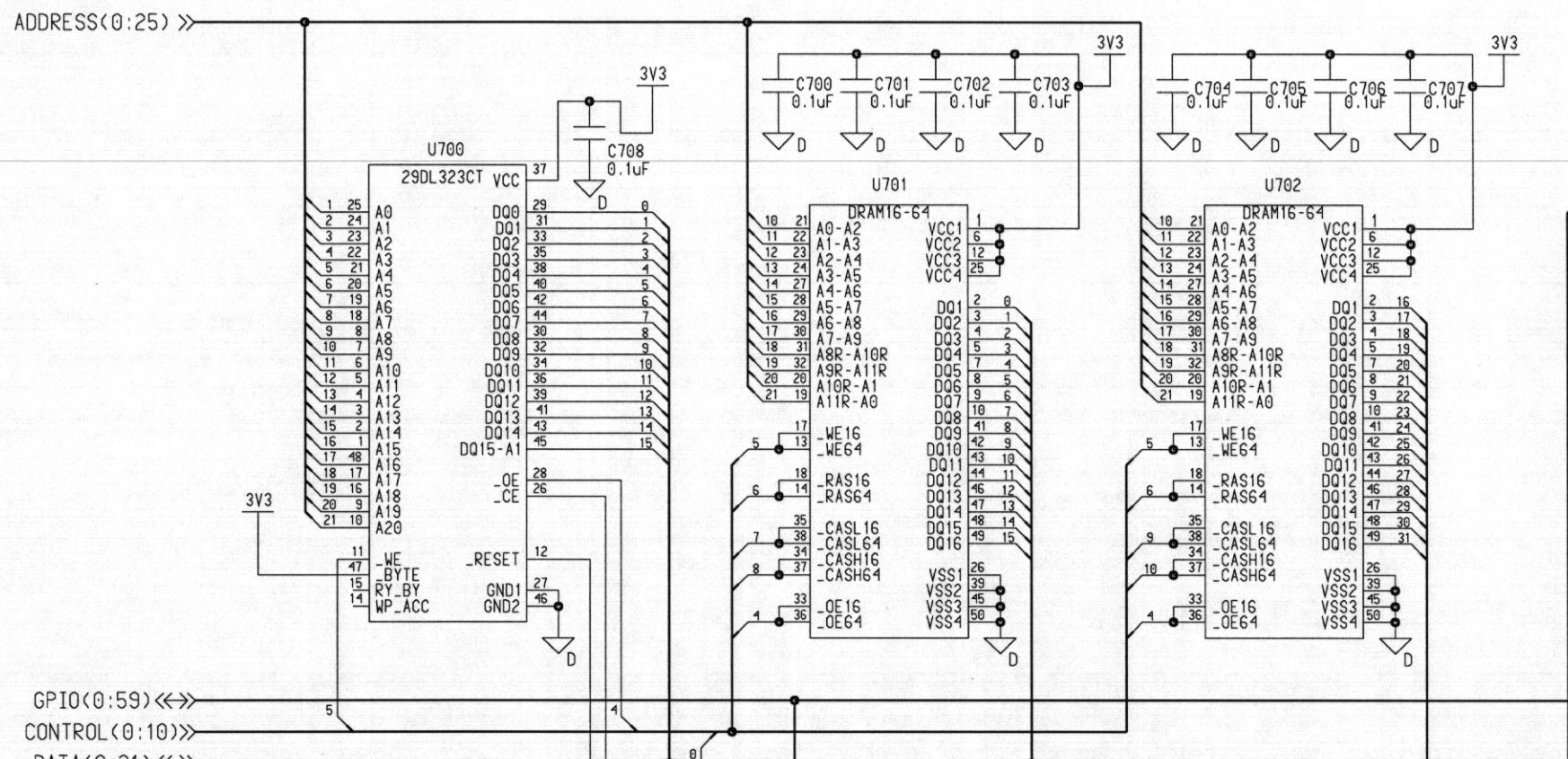
ITEM	DWN NO	TITLE	REV
LIST OF REFERENCE DOCUMENTS			
DWN	K. BECZE	97/08/07	NovAtel Inc. CALGARY, ALBERTA CANADA
CHKD			NovAtel
APVD			
UNLESS OTHERWISE SPECIFIED			
DO NOT SCALE DRAWING			
TOLERANCE ON DECIMALS			
1 PLACE 2 PLACE 3 PLACE			
mm +/-0.2 +/-0.10 +/-0.05			
INCH +/-0.5 DEGREES +/-0.010 +/-0.005			
REMOVE BURRS, BREAK SHARP EDGES			
DUAL DIMENSIONS: mm (INCH)			
DWN NO		REV	
DS-01016494		E	
NEXT ASSY N/A		FIRST USED ON N/A	
SCALE	NTS	SHEET	6 OF 10

B SIZE

PATH

This document contains proprietary information and may not be reproduced or copied without the express written permission of a duly authorized representative of NovAtel Inc.

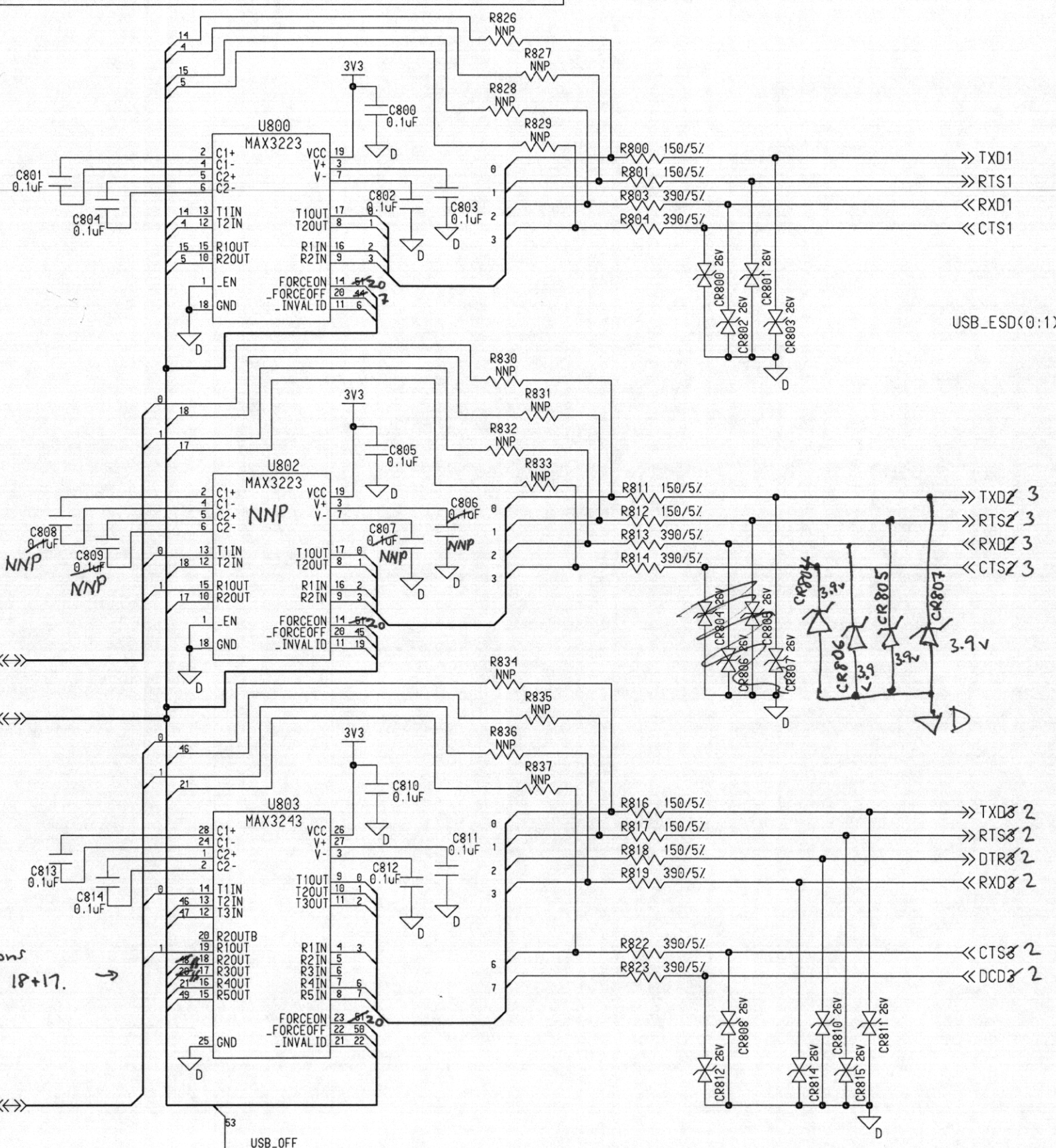
DRL/ECO	DESIGN AUTH	DWN	DESCRIPTION	DATE	REV
		TDK	PROTOTYPE - RF ONLY	97/07/17	B
		TDK	P/N CORRECTIONS	97/07/31	B1
		TDK	PROTOTYPE - RF + DIGITAL	97/08/19	C
		RP	INCORPORATE MARKUPS	99-01-28	E



ITEM	DWN NO	TITLE	REV
LIST OF REFERENCE DOCUMENTS			
DWN	K. BECZE	97/08/07	NovAtel Inc. CALGARY, ALBERTA CANADA
CHKD			NovAtel
APVD			
UNLESS OTHERWISE SPECIFIED			
DO NOT SCALE DRAWING			
TOLERANCE ON DECIMALS			
1 PLACE 2 PLACE 3 PLACE			
mm +/-0.2 +/-0.10			
INCH +/-0.5 DEGREES +/-0.010 +/-0.005			
REMOVED BURRS, BREAK SHARP EDGES			
DUAL DIMENSIONS: mm (INCH)			
NEXT ASSY N/A		FIRST USED ON N/A	
DWN NO		REV	
DS-01016494		E	
SCALE	NTS	SHEET 7 OF 10	

This document contains proprietary information and may not be reproduced or copied without the express written permission of a duly authorized representative of NovAtel Inc.

DRL/ECD	DESIGN AUTH	DWN	DESCRIPTION	DATE	REV
		TDK	PROTOTYPE - RF ONLY	97/07/17	B
		TDK	P/N CORRECTIONS	97/07/31	B1
		TDK	PROTOTYPE - RF + DIGITAL	97/08/19	C
		RP	INCORPORATE MARKUPS	99-01-23	E

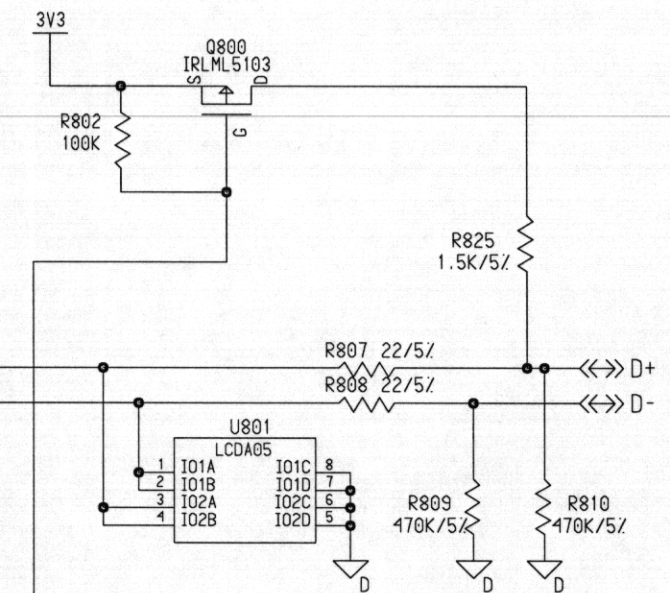


Com3  
COM2(0:1) <->

GPIO(0:59) <->

no connections  
to U803 pins 18+17. →

Com2.  
COM3(0:1) <->



USB\_ESD(0:1) <->

B SIZE

ITEM	DWN NO	TITLE	REV
LIST OF REFERENCE DOCUMENTS			
DWN	K. BECZE	97/08/07	NovAtel Inc. CALGARY, ALBERTA CANADA
CHKD			NovAtel
APVD			
UNLESS OTHERWISE SPECIFIED			
DO NOT SCALE DRAWING			
TOLERANCE ON DECIMALS			
1 PLACE 2 PLACE 3 PLACE			
mm +/-0.2 +/-0.10 +/-0.05			
INCH +/-0.5 DEGREES +/-0.010 +/-0.005			
REMOVE BURRS, BREAK SHARP EDGES			
DUAL DIMENSIONS: mm (INCH)			
DWN NO		REV	
DS-01016494		E	
NEXT ASSY	FIRST USED ON	SCALE	SHEET
N/A	N/A	NTS	8 OF 10

PATH