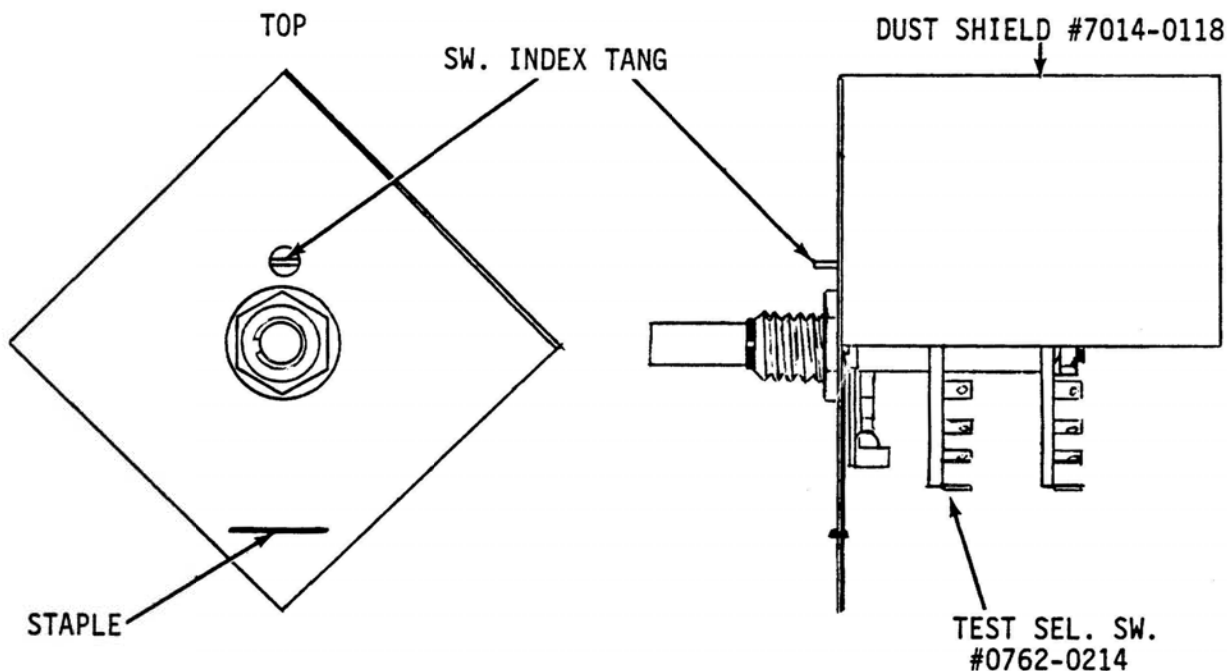


Subject

NEW
DUST SHIELD PART No. 7014-0118
FOR VAT-40 TEST SELECTOR SWITCH TO SHIELD SWITCH FROM
DIRT AND CARBON PARTICLES.

THIS IS A MANDATORY CHANGE ONLY WHEN VAT-40 IS IN FOR REPAIR

1. REMOVE TEST SELECTOR SWITCH FROM FRONT PANEL.
DISCARD STAR WASHER (IF ANY) BETWEEN SWITCH AND PANEL.
2. SLIDE FORMED SHIELD (SEE PAGE 2 FOR DETAILS) OVER SWITCH INDEXING TANG AND ITS RETAINING NUT AS SHOWN.
3. RE-INSTALL SWITCH INTO PANEL.
MAKE SURE INDEX TANG OF SWITCH ALIGNS WITH PANEL INDEX HOLE.



THE ADDITION OF THIS 'SWITCH' DUST SHIELD SUN PART No. 7014-0118 IS DESIGNED TO INCREASE THE RELIABILITY OF ALL VAT-40 VOLT AMPERE TESTERS BY SHIELDING THE TEST SELECTOR SWITCH ON THE TOP SIDE FROM DUST AND CARBON PARTICLES FROM THE CARBON PILE.

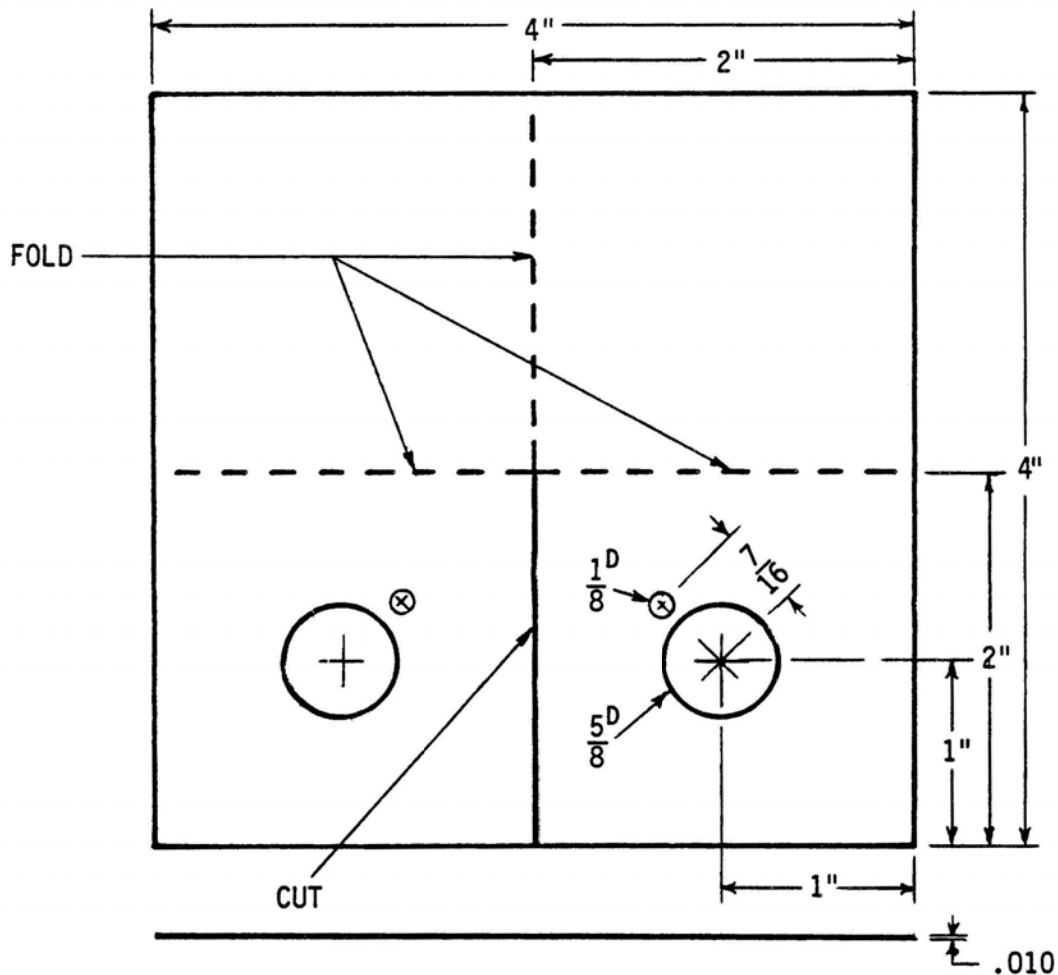
NOTE: INSERT THIS PAGE IN RELATED SECTION OF SUN REPAIR MANUAL

Subject

NEW
DUST SHIELD PART No. 7014- 0118
FOR VAT-40 TEST SELECTOR SWITCH TO SHIELD SWITCH FROM
DIRT AND CARBON PARTICLES.

WHEN USING DUST SHIELD PART No. 7014-0118 FOLD AND STAPLE AS SHOWN.

IF SUITABLE MATERIAL IS AVAILABLE THE SHIELD CAN BE CONSTRUCTED FROM
THE DIMENSIONS GIVEN BELOW. (MATERIAL 'FISH PAPER', .010")



VAT-40 SERIES VOLT-AMPERE TESTERS DATE CODED "28" OR LATER WILL INCORPORATE THIS SHIELD.

NOTE: INSERT THIS PAGE IN RELATED SECTION OF SUN REPAIR MANUAL